

(19) World Intellectual Property Organization
International Bureau



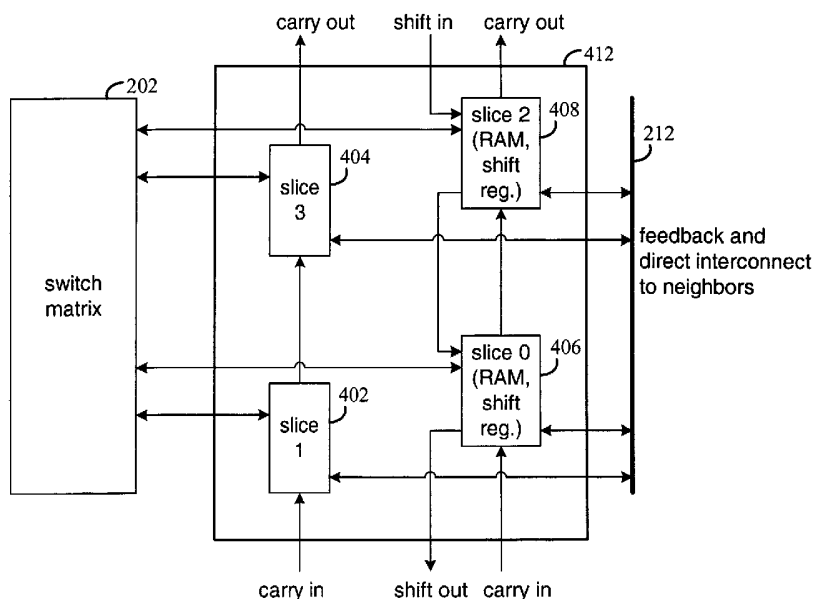
(43) International Publication Date
18 December 2003 (18.12.2003)

PCT

(10) International Publication Number
WO 2003/105345 A3

- (51) International Patent Classification⁷: H03K 19/177, G11C 13/00
- (74) Agents: CHANROO, Keith, A. et al.; Xilinx, Inc., 2100 Logic Drive, San Jose, CA 95124 (US).
- (21) International Application Number: PCT/US2003/017831
- (81) Designated States (*national*): CA, JP.
- (22) International Filing Date: 6 June 2003 (06.06.2003)
- (84) Designated States (*regional*): European patent (AT, BE, BG, CH, CY, CZ, DE, DK, EE, ES, FI, FR, GB, GR, HU, IE, IT, LU, MC, NL, PT, RO, SE, SI, SK, TR).
- (25) Filing Language: English
- (26) Publication Language: English
- (30) Priority Data: 10/167,339 10 June 2002 (10.06.2002) US
- Published:
 - with international search report
 - before the expiration of the time limit for amending the claims and to be republished in the event of receipt of amendments
- (71) Applicant: XILINX, INC. [US/US]; 2100 Logic Drive, San Jose, CA 95124 (US).
- (88) Date of publication of the international search report: 19 February 2004
- (72) Inventors: CROTTY, Patrick, J.; 3255 Woodmere Drive, San Jose, CA 95136 (US). PI, Tao; 395 Ano Nuevo #215, Sunnyvale, CA 94085 (US).
- For two-letter codes and other abbreviations, refer to the "Guidance Notes on Codes and Abbreviations" appearing at the beginning of each regular issue of the PCT Gazette.

(54) Title: PROGRAMMABLE LOGIC DEVICE HAVING HETEROGENEOUS PROGRAMMABLE LOGIC BLOCKS



(57) Abstract: A programmable logic device (PLD) having heterogeneous programmable logic blocks. In one embodiment, the PLD includes programmable interconnect circuitry and programmable input-output circuitry coupled to the programmable interconnect circuitry. An array of programmable logic blocks is coupled to the interconnect circuitry. Each programmable logic block includes a plurality of programmable logic elements coupled to the interconnect circuitry. Each of the programmable logic elements is programmable to implement a common set of functions, and at least one but less than all of the programmable logic elements is programmable to implement a set of supplemental functions.

WO 2003/105345 A3

INTERNATIONAL SEARCH REPORT

International Application No

PCT/US 03/17831

A. CLASSIFICATION OF SUBJECT MATTER
IPC 7 H03K19/177 G11C13/00

According to International Patent Classification (IPC) or to both national classification and IPC

B. FIELDS SEARCHED

Minimum documentation searched (classification system followed by classification symbols)
IPC 7 H03K G11C

Documentation searched other than minimum documentation to the extent that such documents are included in the fields searched

Electronic data base consulted during the international search (name of data base and, where practical, search terms used)

EPO-Internal, WPI Data

C. DOCUMENTS CONSIDERED TO BE RELEVANT

Category °	Citation of document, with indication, where appropriate, of the relevant passages	Relevant to claim No.
X	US 6 118 298 A (ALLAIRE WILLIAM E ET AL) 12 September 2000 (2000-09-12) abstract; figures 19,20	1,4-6,8
X	US 4 758 985 A (CARTER WILLIAM S) 19 July 1988 (1988-07-19) abstract; figure 4A	1,2,4,8
X	US 6 384 625 B1 (LEE ANDY L ET AL) 7 May 2002 (2002-05-07) abstract; figures 3,6	1,4,5,8
X	US 5 835 405 A (CHAN ALBERT L ET AL) 10 November 1998 (1998-11-10) abstract; figure 2	1,8

Further documents are listed in the continuation of box C.

Patent family members are listed in annex.

° Special categories of cited documents :

- *A* document defining the general state of the art which is not considered to be of particular relevance
- *E* earlier document but published on or after the international filing date
- *L* document which may throw doubts on priority claim(s) or which is cited to establish the publication date of another citation or other special reason (as specified)
- *O* document referring to an oral disclosure, use, exhibition or other means
- *P* document published prior to the international filing date but later than the priority date claimed

- *T* later document published after the international filing date or priority date and not in conflict with the application but cited to understand the principle or theory underlying the invention
- *X* document of particular relevance; the claimed invention cannot be considered novel or cannot be considered to involve an inventive step when the document is taken alone
- *Y* document of particular relevance; the claimed invention cannot be considered to involve an inventive step when the document is combined with one or more other such documents, such combination being obvious to a person skilled in the art.
- *G* document member of the same patent family

Date of the actual completion of the international search

13 November 2003

Date of mailing of the international search report

08/01/2004

Name and mailing address of the ISA

European Patent Office, P.B. 5818 Patentlaan 2
NL - 2280 HV Rijswijk
Tel. (+31-70) 340-2040, Tx. 31 651 epo nl,
Fax: (+31-70) 340-3016

Authorized officer

Brown, J

INTERNATIONAL SEARCH REPORT

In relation to patent family members

International Application No

PCT/US 03/17831

Patent document cited in search report		Publication date	Patent family member(s)	Publication date	
US 6118298	A	12-09-2000	US 5889413	A	30-03-1999
			US 6288568	B1	11-09-2001
			US 6297665	B1	02-10-2001
			US 6323682	B1	27-11-2001
			US 6262597	B1	17-07-2001
			DE 69711678	D1	08-05-2002
			DE 69711678	T2	26-09-2002
			EP 0940012	A1	08-09-1999
			JP 2001504657	T	03-04-2001
			WO 9823033	A1	28-05-1998
US 4758985	A	19-07-1988	US 4706216	A	10-11-1987
			JP 1754632	C	23-04-1993
			JP 4047492	B	04-08-1992
			JP 63001114	A	06-01-1988
			CA 1255364	A1	06-06-1989
			DE 3606406	A1	28-08-1986
			DE 3645221	C2	23-04-1992
			DE 3645224	C2	20-02-1992
			GB 2171546	A , B	28-08-1986
			GB 2202355	A , B	21-09-1988
			GB 2202356	A , B	21-09-1988
			JP 1754622	C	23-04-1993
			JP 4046488	B	30-07-1992
			JP 61224520	A	06-10-1986
JP 6045912	A	18-02-1994			
US 6384625	B1	07-05-2002	US 6255846	B1	03-07-2001
			US 6084427	A	04-07-2000
			US 6121790	A	19-09-2000
			US 6278288	B1	21-08-2001
US 5835405	A	10-11-1998	DE 69430320	D1	08-05-2002
			DE 69430320	T2	10-10-2002
			EP 0734573	A1	02-10-1996
			JP 9509797	T	30-09-1997
			WO 9516993	A1	22-06-1995