



US00D911883S

(12) **United States Design Patent** (10) **Patent No.:** **US D911,883 S**
Bae (45) **Date of Patent:** **** Mar. 2, 2021**

(54) **FRONT GRILLE FOR AUTOMOBILE**

(71) Applicant: **HONDA MOTOR CO., LTD.**, Tokyo (JP)

(72) Inventor: **Sungjun Bae**, Wako (JP)

(73) Assignee: **HONDA MOTOR CO., LTD.**, Tokyo (JP)

(**) Term: **15 Years**

(21) Appl. No.: **29/692,626**

(22) Filed: **May 28, 2019**

(30) **Foreign Application Priority Data**

Nov. 30, 2018 (JP) JP2018-026056

(51) **LOC (13) CL.** **12-16**

(52) **U.S. CL.**
USPC **D12/163**

(58) **Field of Classification Search**

USPC D12/169, 196, 86, 90-92, 163, 190, 98,
D12/164; 293/102, 113, 115, 117, 120,
293/193.11; 296/180.1, 180.2; 180/68.1,
180/68.6

CPC B60R 19/52; B60K 11/08; B62D 25/08;
B62B 9/16

See application file for complete search history.

(56) **References Cited**

U.S. PATENT DOCUMENTS

D600,170 S * 9/2009 Endoh D12/163
D702,601 S * 4/2014 Wada D12/163
D716,197 S * 10/2014 Terui D12/163
D717,217 S * 11/2014 Murakawa D12/163
D720,264 S * 12/2014 Hanaoka D12/163
D721,020 S * 1/2015 Hanaoka D12/163
D722,543 S * 2/2015 Kato D12/163

D738,798 S * 9/2015 Morikawa D12/163
D752,484 S * 3/2016 Davidson D12/163
D752,485 S * 3/2016 Chung D12/163
D759,551 S * 6/2016 Nakahara D12/163
D764,981 S * 8/2016 Tsutamori D12/163
D775,553 S * 1/2017 Ishii D12/163
D797,013 S * 9/2017 Sahara D12/163
D797,014 S * 9/2017 Park D12/163
D817,234 S * 5/2018 Park D12/163
D819,507 S * 6/2018 Bridan D12/163
D819,511 S * 6/2018 Ishii D12/163
D821,933 S * 7/2018 Ishii D12/163
D822,545 S * 7/2018 Sahara D12/163
D824,813 S * 8/2018 Miyazawa D12/163
D844,501 S * 4/2019 Tamura D12/163
D844,502 S * 4/2019 Wada D12/163
D867,229 S * 11/2019 Morikawa D12/163
D874,989 S * 2/2020 Utsunomiya D12/163
D879,674 S * 3/2020 Melville-Brown D12/163

* cited by examiner

Primary Examiner — Melody N Brown

(74) *Attorney, Agent, or Firm* — Westerman, Hattori,
Daniels & Adrian, LLP

(57) **CLAIM**

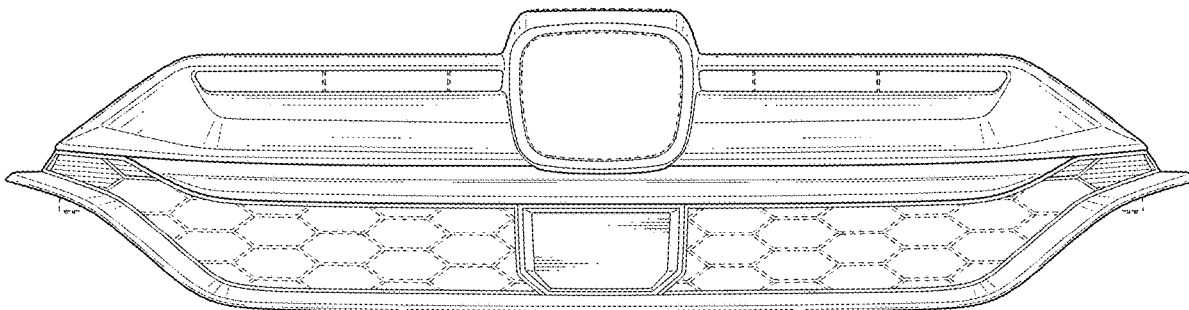
The ornamental design for a front grille for automobile, as shown and described.

DESCRIPTION

FIG. 1 is a front perspective view of a front grille for automobile showing my new design; FIG. 2 is a front elevation view thereof; FIG. 3 is a right side elevation view thereof; FIG. 4 is a left side elevation view thereof; and, FIG. 5 is a top plan view thereof.

The broken lines shown in the drawings illustrate portions of the front grille for automobile that form no part of the claimed design.

1 Claim, 5 Drawing Sheets



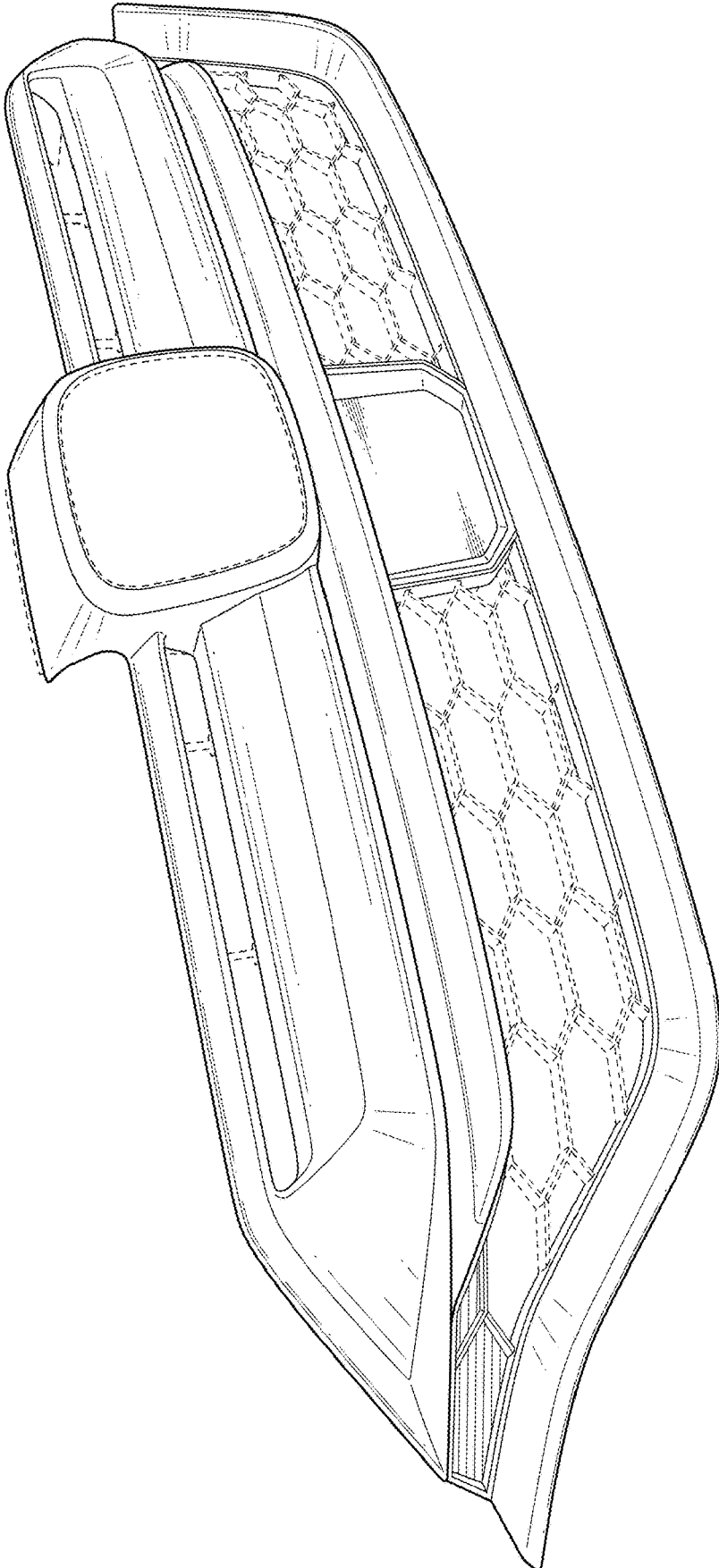


FIG. 1

FIG. 2

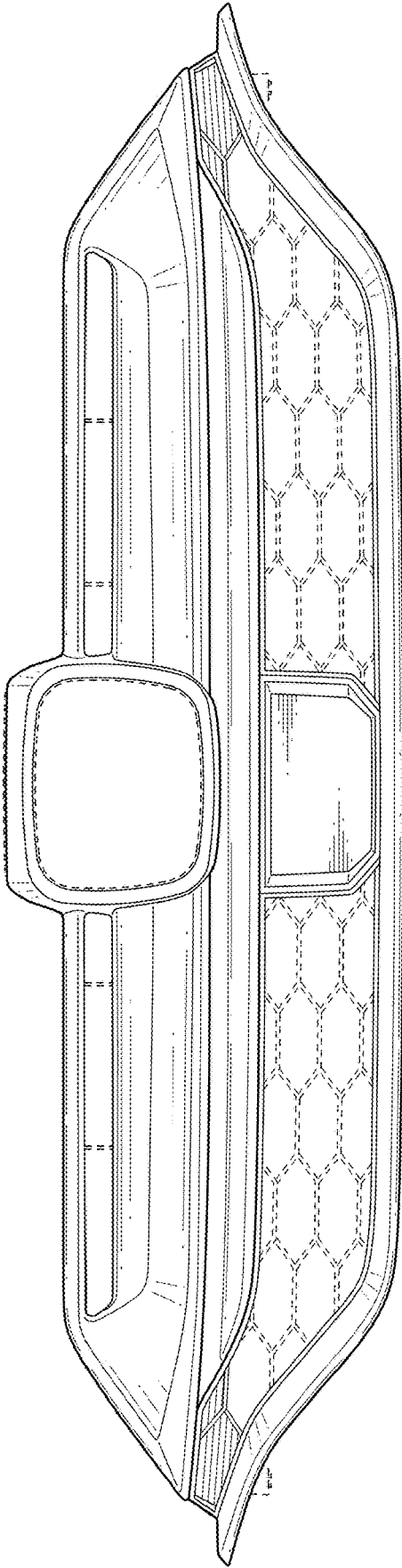


FIG. 3

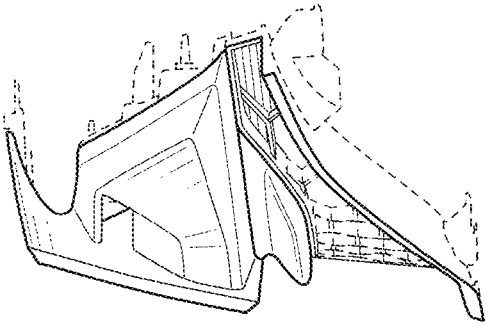


FIG. 4

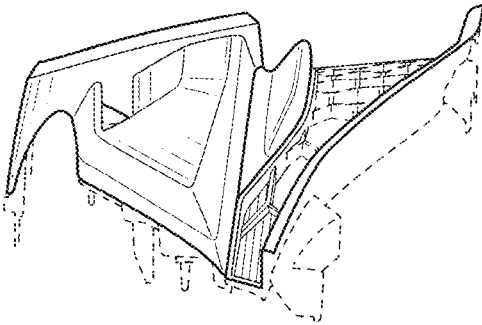


FIG. 5

