



US00D593369S

(12) **United States Design Patent**
Green et al.

(10) **Patent No.:** **US D593,369 S**

(45) **Date of Patent:** **** Jun. 2, 2009**

(54) **CONTAINER**

(75) Inventors: **Dale Green**, McLean, VA (US); **Nico Kapp**, McLean, VA (US); **Uwe Nehus**, McLean, VA (US); **David Vollborth**, Paris (FR)

(73) Assignee: **MARS, Incorporated**, McLean, VA (US)

(**) Term: **14 Years**

(21) Appl. No.: **29/322,406**

(22) Filed: **Aug. 4, 2008**

Related U.S. Application Data

(63) Continuation of application No. 29/287,378, filed on Jul. 31, 2007, now abandoned.

(51) **LOC (9) Cl.** **07-07**

(52) **U.S. Cl.** **D7/602; D9/430**

(58) **Field of Classification Search** D7/602, D7/629, 612-615, 538-542; D9/430-432; 220/574-575, 780-806

See application file for complete search history.

(56) **References Cited**

U.S. PATENT DOCUMENTS

D21,372 S	3/1892	Meinecke
D42,200 S	2/1912	Farr
D50,194 S	1/1917	Haley
D50,195 S	1/1917	Haley
D68,215 S	9/1925	McLean
1,735,219 A	11/1929	Steele et al.
D81,921 S	9/1930	Dwyer
D111,222 S	9/1938	Ritz-Woller
D162,355 S	3/1951	Smith
3,244,312 A	4/1966	Lawson
D204,640 S	5/1966	Reifers et al.
D204,961 S	5/1966	Kossnar
D204,962 S	5/1966	Kossnar
D204,963 S	5/1966	Kossnar
D208,829 S	10/1967	Stockdale

D213,428 S	3/1969	Batdorf
3,443,741 A	5/1969	Stockdale
3,448,888 A	6/1969	Stafford et al.
3,452,896 A	7/1969	Neil
D226,837 S	5/1973	Le Cody
D251,895 S	5/1979	Belmuth et al.
D253,331 S	11/1979	Olschewski
D255,857 S	7/1980	Zimmerman
D256,308 S	8/1980	Zimmerman
D256,646 S	9/1980	Painter et al.
D256,756 S	9/1980	Painter et al.

(Continued)

FOREIGN PATENT DOCUMENTS

EM 000628672-0001 12/2006

(Continued)

OTHER PUBLICATIONS

U.S. Trademark Registration No. 2,052,069 (Apr. 15, 1997)

(Continued)

Primary Examiner—Terry A Wallace
(74) *Attorney, Agent, or Firm*—Arent Fox LLP

(57) **CLAIM**

The ornamental design for a container, as shown and described.

DESCRIPTION

FIG. 1 is a perspective view of the container showing our new design;

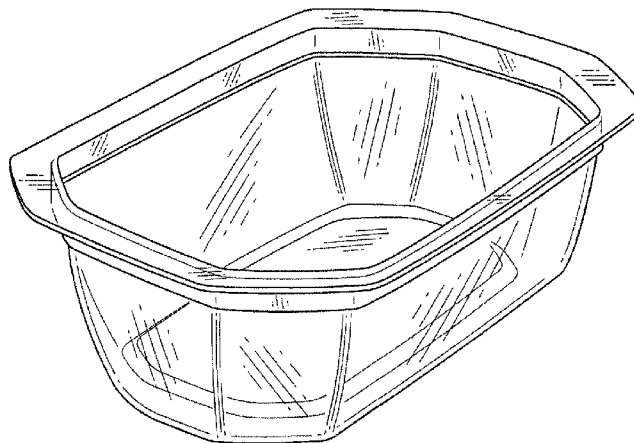
FIG. 2 is a bottom view of the design shown in FIG. 1;

FIG. 3 is a top view of the design shown in FIG. 1;

FIG. 4 is a left side view of the design shown in FIG. 1, wherein the right side view is an identical image thereof; and,

FIG. 5 is a front view of the design shown in FIG. 1, wherein the rear view is an identical image thereof.

1 Claim, 5 Drawing Sheets



U.S. PATENT DOCUMENTS

4,265,390 A 5/1981 Faller et al.
D275,079 S 8/1984 Sun
D285,514 S 9/1986 Ritman
D288,063 S 2/1987 Tyler
D288,163 S 2/1987 Ritman
D288,295 S 2/1987 Holden
D290,813 S 7/1987 Forbes
D291,757 S 9/1987 Ritman
D298,000 S 10/1988 Ritman
4,819,824 A 4/1989 Longbottom
D303,337 S 9/1989 Holma
D304,016 S 10/1989 Forbes
D305,393 S 1/1990 Stewart
D307,716 S 5/1990 Fitzloff et al.
D315,099 S 3/1991 Alizard
D322,403 S 12/1991 Eaton
D341,449 S 11/1993 Conner
D344,892 S 3/1994 Robie et al.
D366,311 S 1/1996 Bonnell
D374,819 S 10/1996 Wells
D375,652 S 11/1996 Hayes
D378,180 S 2/1997 Hayes et al.
D384,862 S 10/1997 Hayes et al.
D385,185 S 10/1997 Rench et al.
D397,294 S 8/1998 Saulus
D398,526 S 9/1998 Schwarz et al.
D398,846 S 9/1998 Wyslotsky
D398,847 S 9/1998 Wyslotsky
D398,848 S 9/1998 Wyslotsky et al.
D408,223 S 4/1999 Henry
D414,080 S 9/1999 Bolwien
5,984,130 A 11/1999 Hayes et al.
D427,063 S * 6/2000 May D9/425
D427,902 S 7/2000 Hayes et al.
D428,310 S 7/2000 Zettle et al.
D433,879 S 11/2000 Emrani
D444,203 S 6/2001 Leclair et al.
D445,649 S 7/2001 Maxwell et al.
D446,450 S 8/2001 Zettle et al.
D449,495 S * 10/2001 Tucker et al. D7/629
D461,431 S 8/2002 Ciocchi

D467,128 S 12/2002 Thonis et al.
6,572,909 B1 6/2003 Bagwell et al.
D484,749 S 1/2004 Garraway
D485,173 S 1/2004 Jacquet
D489,254 S 5/2004 Kocis et al.
D529,797 S * 10/2006 Wilcox et al. D9/428
D529,798 S 10/2006 Snedden et al.
D530,198 S * 10/2006 Snedden et al. D9/432
D532,980 S 12/2006 Hutton
D539,100 S * 3/2007 Zhao D7/629
D546,632 S * 7/2007 Oberloier D7/629
D551,505 S 9/2007 Friedland et al.
D551,506 S 9/2007 Friedland et al.
D551,507 S 9/2007 Friedland et al.
D551,508 S 9/2007 Friedland et al.
D551,515 S 9/2007 Ablo et al.
D551,908 S 10/2007 Friedland et al.
D552,423 S 10/2007 Friedland et al.

FOREIGN PATENT DOCUMENTS

EM 000628672-0002 12/2006

OTHER PUBLICATIONS

U.S. Trademark Registration No. 2,629,269 (Oct. 1, 2002).
U.S. Appl. No. 78/914,723, filed Jun. 22, 2006.
U.S. Appl. No. 75/823,481, filed Oct. 15, 1999.
U.S. Appl. No. 29/287,378, filed Jul. 31, 2007, by Dale Green et al.,
entitled "Container".
U.S. Appl. No. 29/287,904, filed Oct. 1, 2007, by Jason Friedland et
al., entitled "Container".
U.S. Appl. No. 29/287,905, filed Oct. 1, 2007, by Jason Friedland et
al., entitled "Container".
U.S. Appl. No. 29/287,906, filed Oct. 1, 2007, by Jason Friedland et
al., entitled "Container".
U.S. Appl. No. 29/287,907, filed Oct. 1, 2007, by Jason Friedland et
al., entitled "Container".
U.S. Appl. No. 29/287,908, filed Oct. 1, 2007, by Jason Friedland et
al., entitled "Container".
U.S. Appl. No. 29/287,909, filed Oct. 1, 2007, by Jason Friedland et
al., entitled "Container".

* cited by examiner

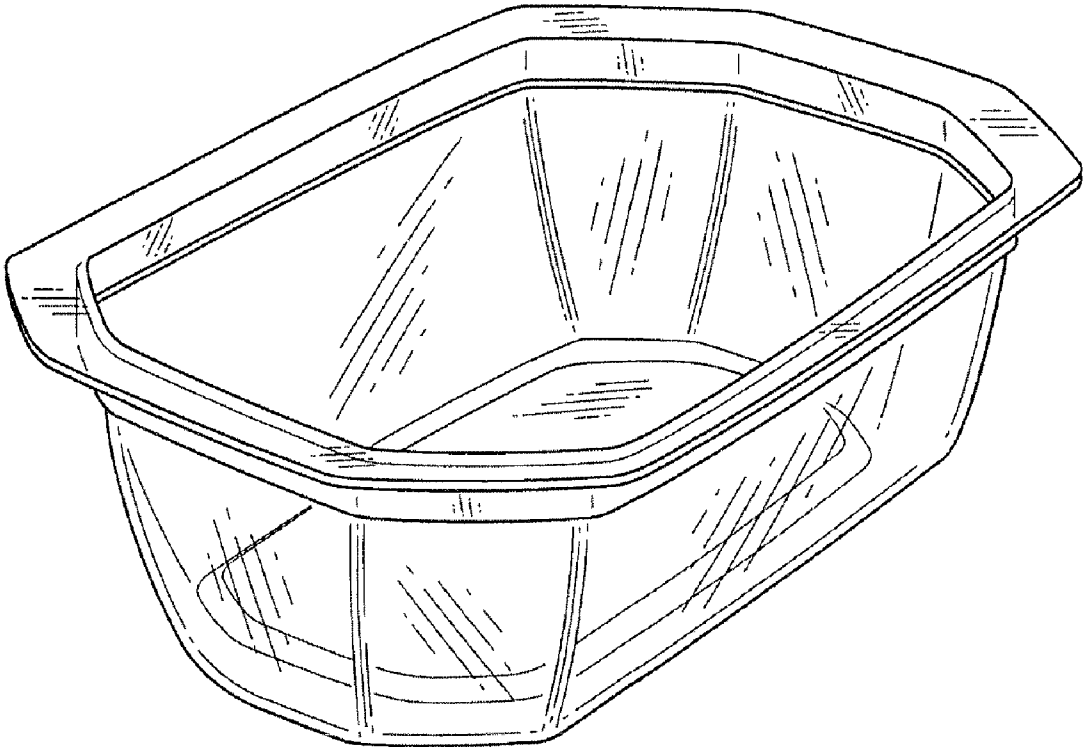


FIG. 1

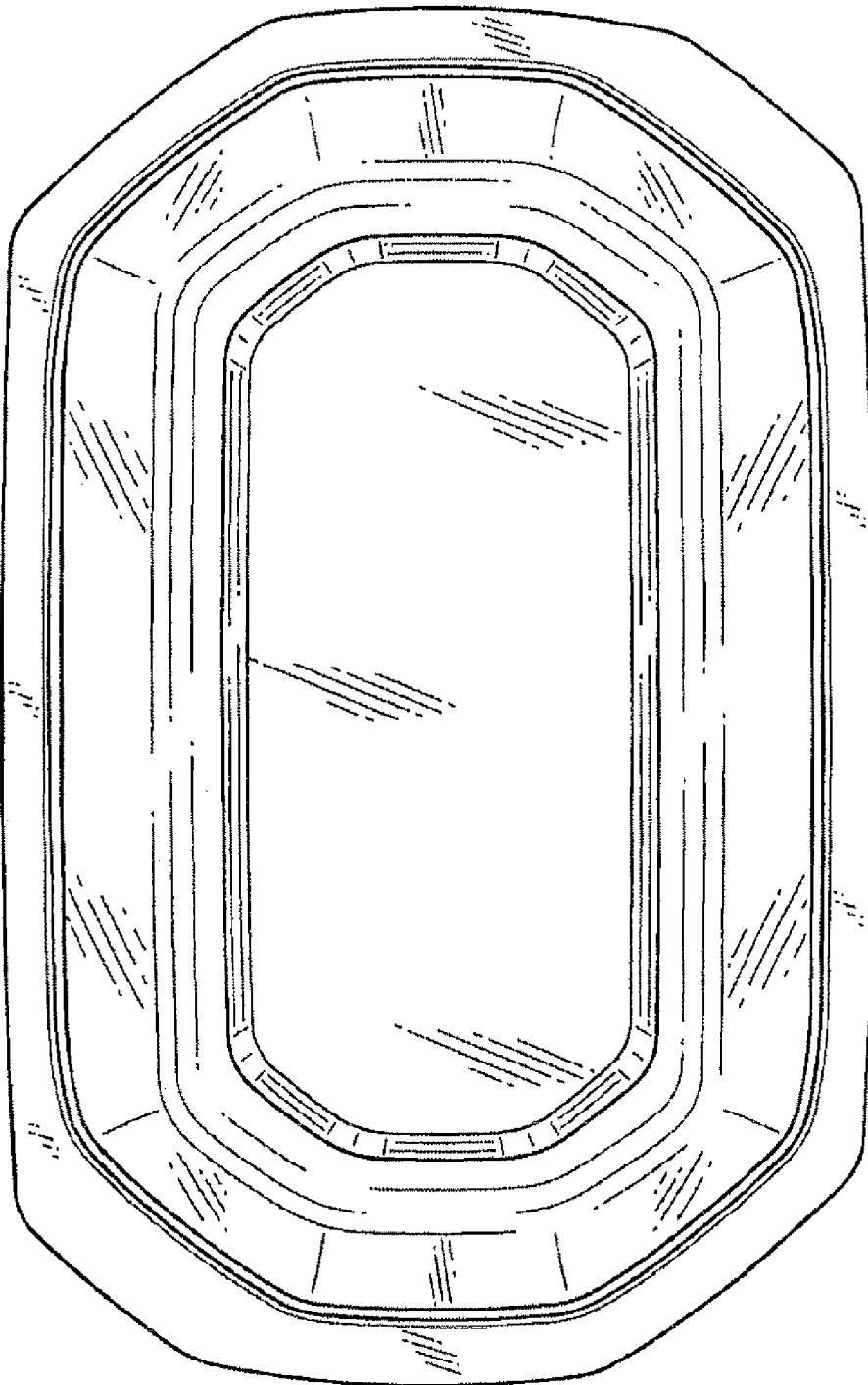


FIG.2

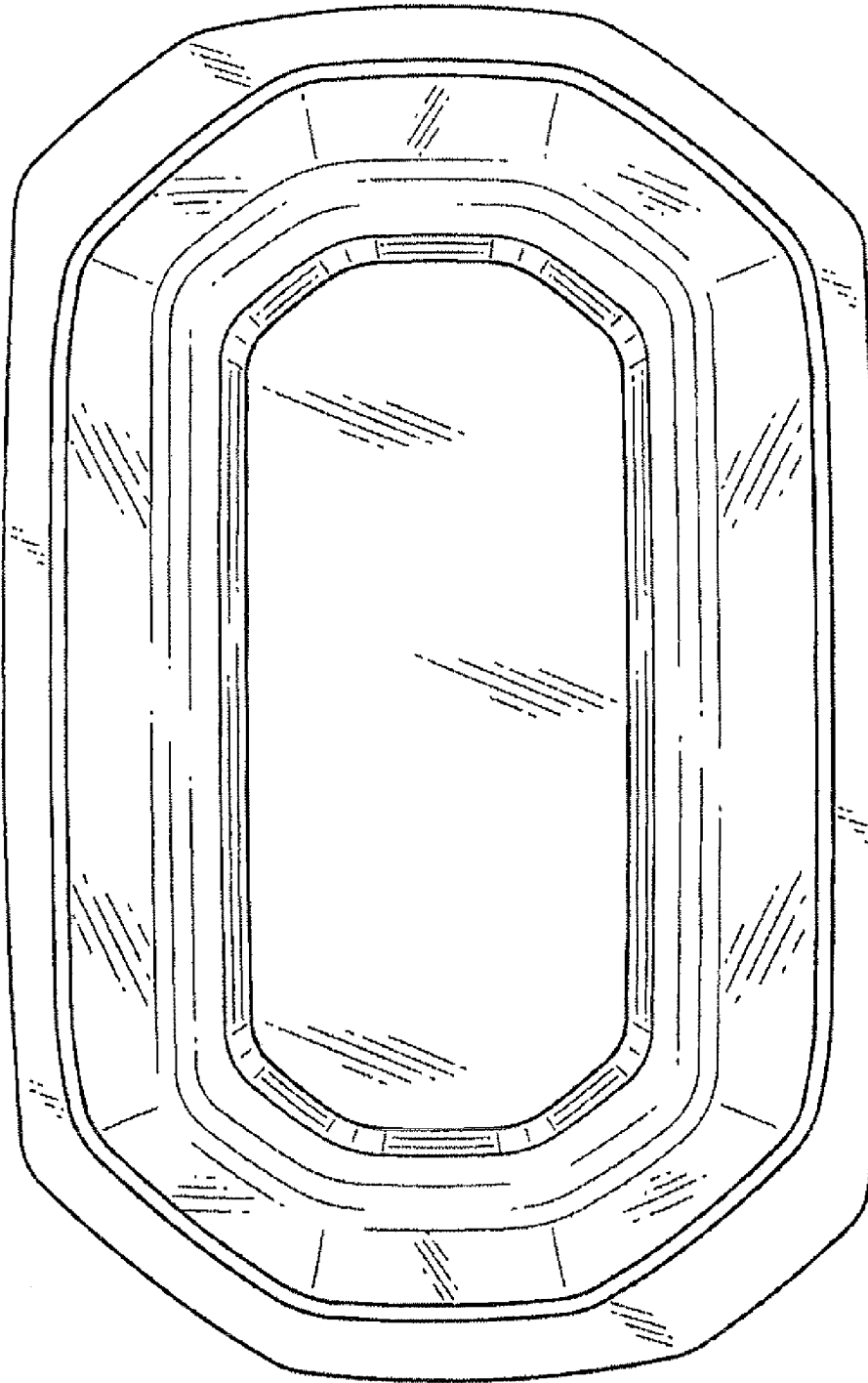


FIG.3

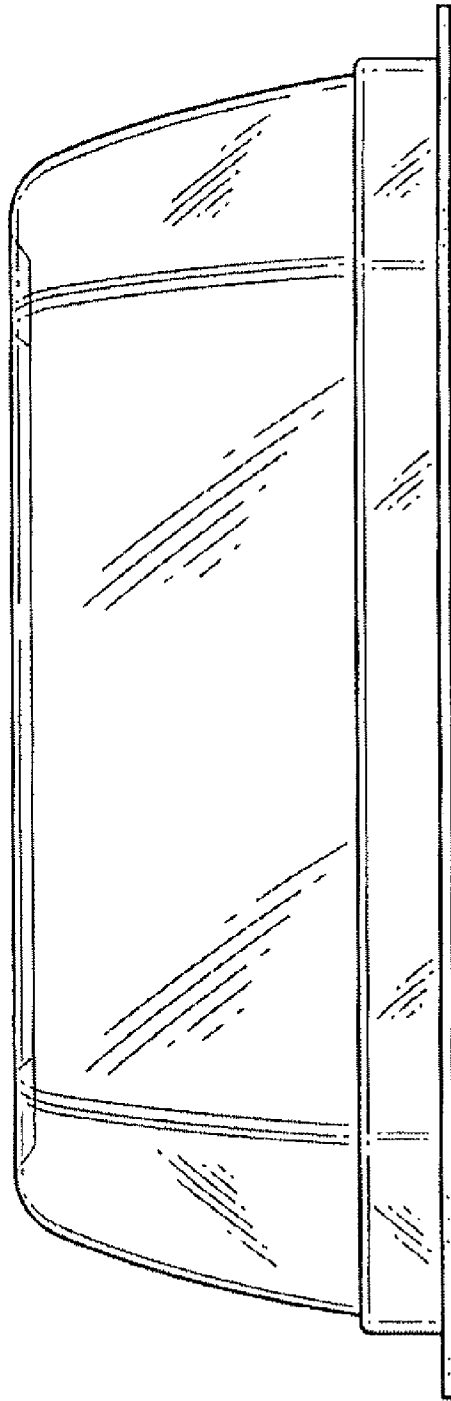


FIG.4

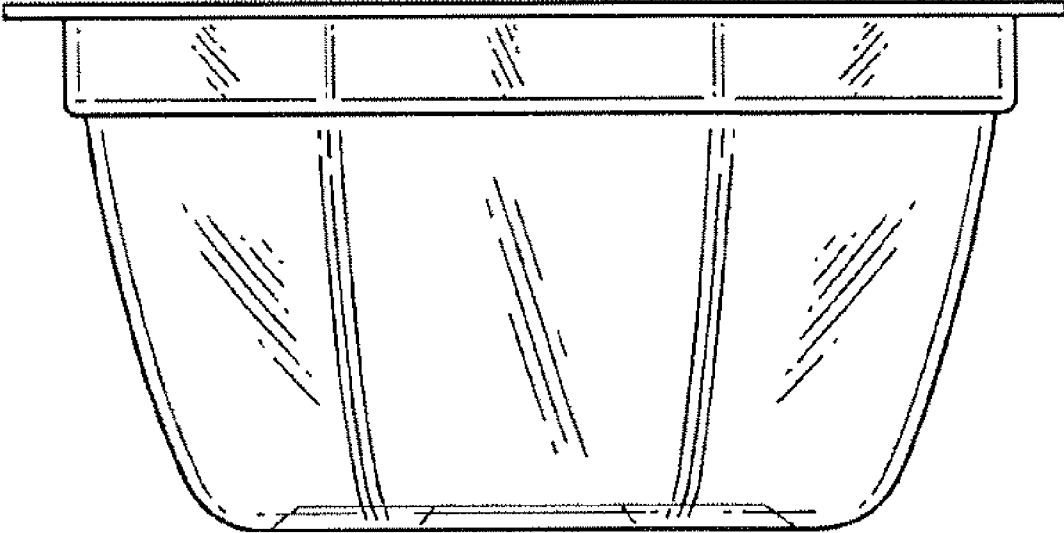


FIG.5

UNITED STATES PATENT AND TRADEMARK OFFICE
CERTIFICATE OF CORRECTION

PATENT NO. : Des. 593,369 S
APPLICATION NO. : 29/322406
DATED : June 2, 2009
INVENTOR(S) : Dale Green et al.

Page 1 of 1

It is certified that error appears in the above-identified patent and that said Letters Patent is hereby corrected as shown below:

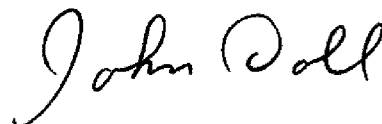
On the Title page, item (30)

Please insert the Foreign Application Priority Data to read as follows:

--January 31, 2007 (EM).....000664123-0001--.

Signed and Sealed this

Thirtieth Day of June, 2009



JOHN DOLL

Acting Director of the United States Patent and Trademark Office