



US00D758098S

(12) **United States Design Patent**  
**Pham**

(10) **Patent No.:** **US D758,098 S**

(45) **Date of Patent:** **\*\* Jun. 7, 2016**

(54) **LUMBAR PILLOW**

(71) Applicant: **Loan Kim Thi Pham, HCMC (VN)**

(72) Inventor: **Loan Kim Thi Pham, HCMC (VN)**

(\*\*) Term: **14 Years**

(21) Appl. No.: **29/504,749**

(22) Filed: **Oct. 9, 2014**

(51) **LOC (10) Cl.** ..... **06-09**

(52) **U.S. Cl.**

USPC ..... **D6/601**

(58) **Field of Classification Search**

USPC ..... D6/595–601, 604–606; D21/686, 791,  
D21/803, 804; D24/183, 184; D30/118,  
D30/119; D25/119–121, 123, 125

CPC ..... A47C 7/383; A47C 7/46; A47C 20/00;  
A47C 20/21; A47C 20/25; A47D 13/00;  
A47D 13/08; A47G 9/00; A47G 9/10; A47G  
9/1027; A47G 9/1036; A47G 9/1081; A47G  
2009/1018; A61F 5/01; A62B 9/06

See application file for complete search history.

(56) **References Cited**

**U.S. PATENT DOCUMENTS**

4,889,109 A \* 12/1989 Gifford ..... A47C 20/021  
5/922  
D340,380 S \* 10/1993 McDonald ..... D6/601

D427,474 S \* 7/2000 Rivard ..... D6/601  
D447,252 S \* 8/2001 Gardner ..... D25/119  
D532,209 S \* 11/2006 Rodis ..... D6/335  
D662,329 S \* 6/2012 Arko ..... D6/332  
8,955,909 B2 \* 2/2015 Hisada ..... B60N 2/643  
297/232  
2015/0283014 A1 \* 10/2015 Sithian ..... A61G 7/057  
5/644

\* cited by examiner

*Primary Examiner* — Mary Ann Calabrese

(74) *Attorney, Agent, or Firm* — BN IP-Consulting LLC;  
Binh-An Nguyen

(57) **CLAIM**

The ornamental design for a lumbar pillow, as shown and described.

**DESCRIPTION**

FIG. 1 is a perspective left-front view of a lumbar pillow according to the invention.

FIG. 2 is a front perspective view thereof.

FIG. 3 is an enlarged left side perspective view thereof.

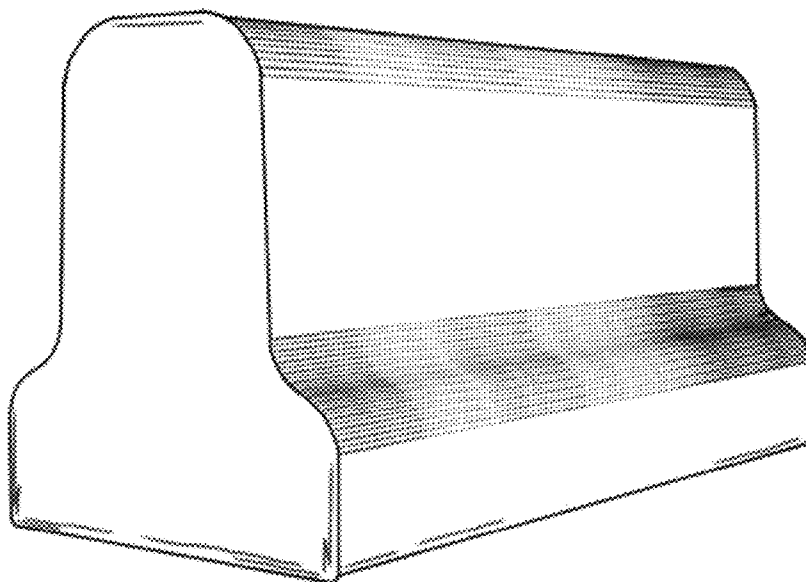
FIG. 4 is a bottom perspective view thereof.

FIG. 5 is a top perspective view thereof; and,

FIG. 6 is a back perspective view thereof.

The left and right side views are symmetric.

**1 Claim, 3 Drawing Sheets**



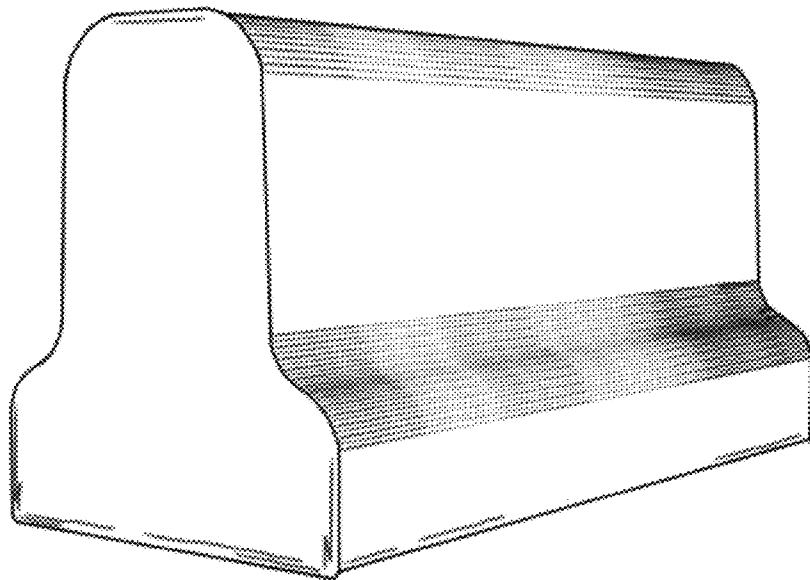


FIG. 1

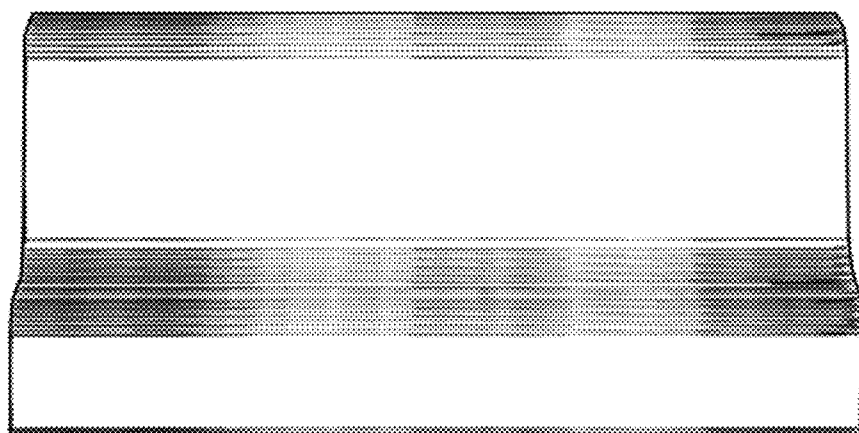
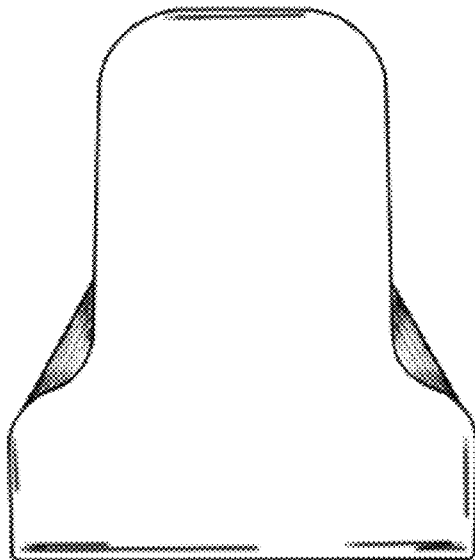
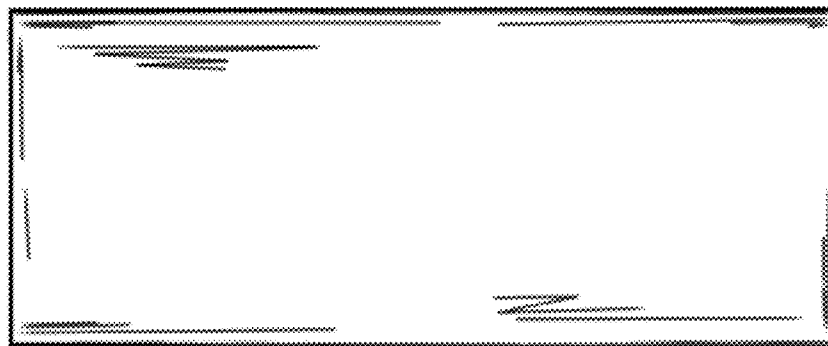


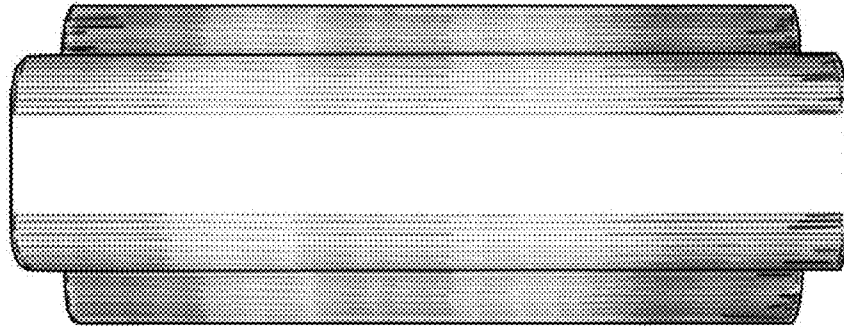
FIG. 2



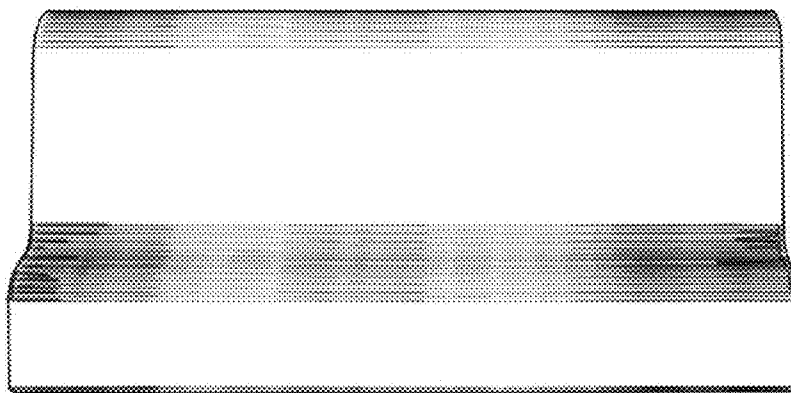
**FIG. 3**



**FIG. 4**



**FIG. 5**



**FIG. 6**