



US0D1003903S

(12) **United States Design Patent**
You et al.

(10) **Patent No.:** **US D1,003,903 S**

(45) **Date of Patent:** **** Nov. 7, 2023**

(54) **DISPLAY STAND**

A47B 88/044; A47B 2021/0335; H02G 3/126; F16B 47/00; F16B 47/006; A47G 1/17; A47K 2201/00

(71) Applicant: **NINGBO TUOTUO RIVER DESIGN COMPANY**, Zhejiang (CN)

See application file for complete search history.

(72) Inventors: **Xiaodong You**, Ningbo (CN); **Hongjun Wang**, Ningbo (CN)

(56) **References Cited**

(73) Assignee: **NINGBO TUOTUO RIVER DESIGN COMPANY**, Zhejiang (CN)

U.S. PATENT DOCUMENTS

(**) Term: **15 Years**

D576,427	S *	9/2008	Stebbens	D6/675.1
D598,458	S *	8/2009	Li	D14/451
D712,690	S *	9/2014	Xiang	D6/678.1
D712,691	S *	9/2014	Xiang	D6/678.1
D820,818	S *	6/2018	Heckler	D14/239
D914,655	S *	3/2021	Pei	D14/239
D916,689	S *	4/2021	Lyu	D14/239
D920,987	S *	6/2021	Lyu	D14/451
D949,871	S *	4/2022	You	D14/451
11,396,972	B1 *	7/2022	You	F16M 11/046
D980,229	S *	3/2023	You	D14/451

(Continued)

(21) Appl. No.: **29/792,453**

Primary Examiner — Katie Jane Stofko

(22) Filed: **Mar. 30, 2022**

(74) *Attorney, Agent, or Firm* — Knobbe Martens Olson & Bear LLP

(51) **LOC (14) Cl.** **14-02**

(52) **U.S. Cl.**
USPC **D14/451**

(58) **Field of Classification Search**
USPC D14/371–382, 125–129, 336, 337, D14/447–452, 492, 335, 376–382, 239, D14/457, 439–441, 432, 251–253; D8/349, 354, 363, 373, 376, 380; D21/333; D12/415; D3/218; 348/180, 348/184, 325, 739, 825

CPC G06F 3/0412; G06F 3/016; G06F 3/0488; G06F 3/011; G06F 3/038; G06F 3/03543; G06F 3/0338; G06F 3/0202; G06F 3/0219; G06F 3/0213; G06F 1/1616; G06F 3/023; G06F 3/04883; G02F 1/13338; G02F 1/1313; G02F 1/1333; G02F 1/135; G02F 1/132; G02F 1/133308; G02F 1/134309; G02F 1/13718; G09G 3/3648; G06K 15/1252; B41J 2/465; G03F 7/70291; G02B 27/0172; G02B 5/30; G02B 2027/0118; G02B 27/0101; F16M 13/02; F16M 13/00; F16M 11/10; F16M 11/04; F16M 2200/08; F16M 11/2021; A47B 21/0314;

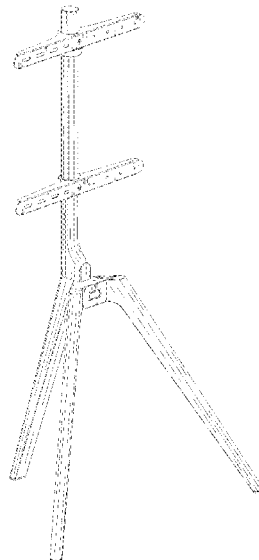
(57) **CLAIM**

The ornamental design for a display stand, as shown and described.

DESCRIPTION

FIG. 1 is a front, top, and left side perspective view of a display stand embodying the new design; FIG. 2 is a back, top, and right side perspective view thereof; FIG. 3 is a front view thereof; FIG. 4 is a left side view thereof; FIG. 5 is a back view thereof; FIG. 6 is a right side view thereof; FIG. 7 is a top view thereof; FIG. 8 is a bottom view thereof; and, FIG. 9 is an enlarged detail view of a portion of FIG. 8. Broken lines are used to illustrate features of the display stand that form no part of the claimed design.

1 Claim, 9 Drawing Sheets



(56)

References Cited

U.S. PATENT DOCUMENTS

D984,455 S * 4/2023 You D14/451
2019/0262682 A1 * 8/2019 McGetrick A63B 67/06

* cited by examiner

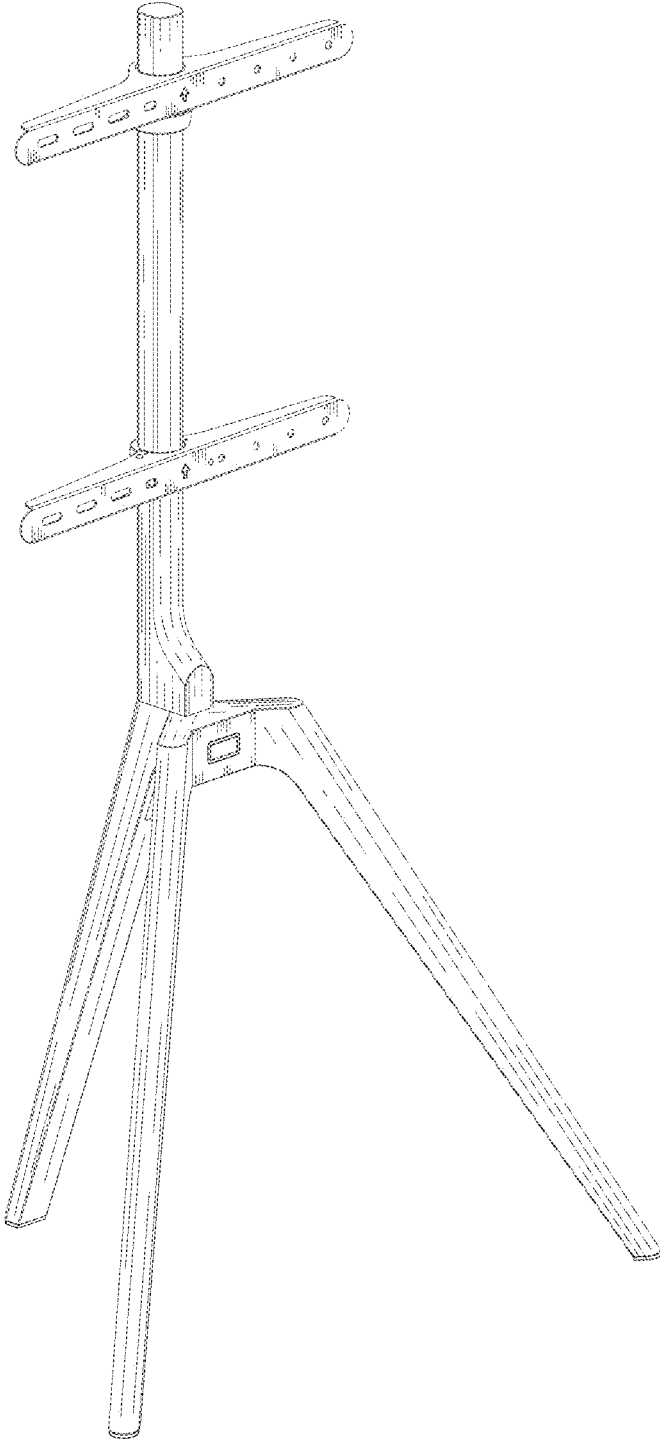


FIG. 1

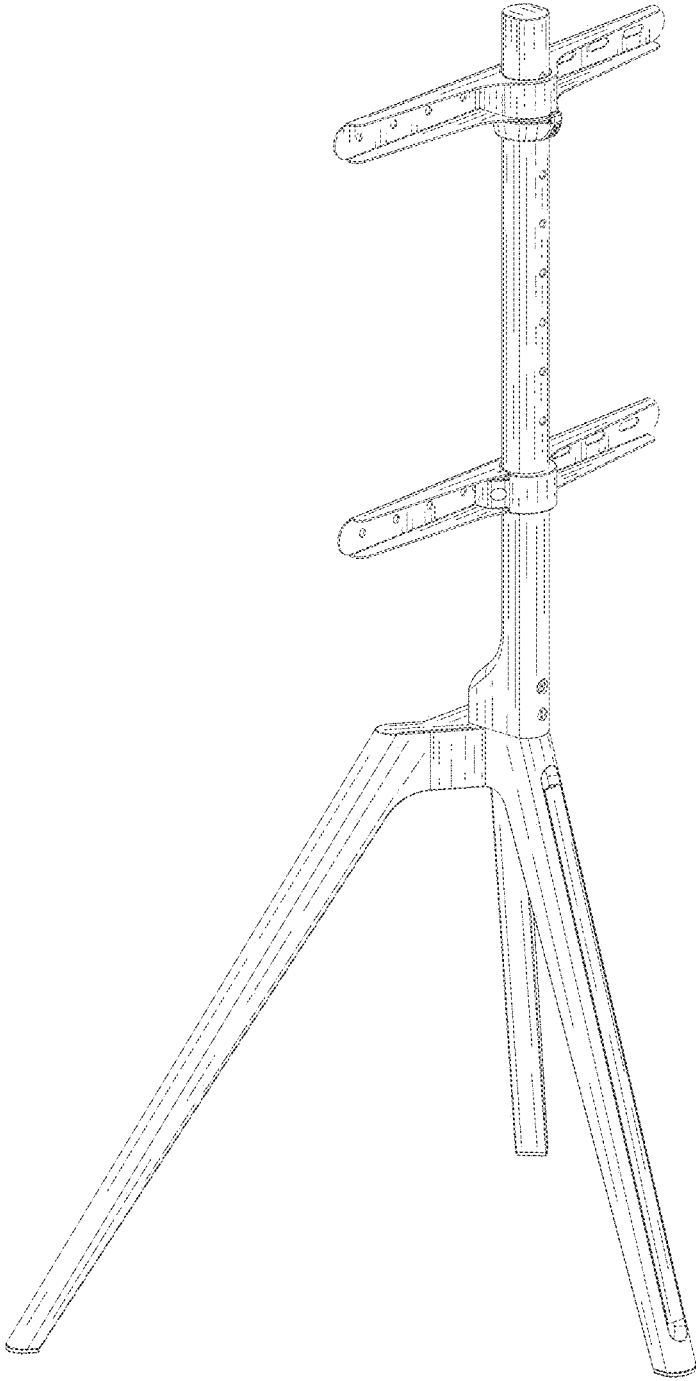


FIG.2

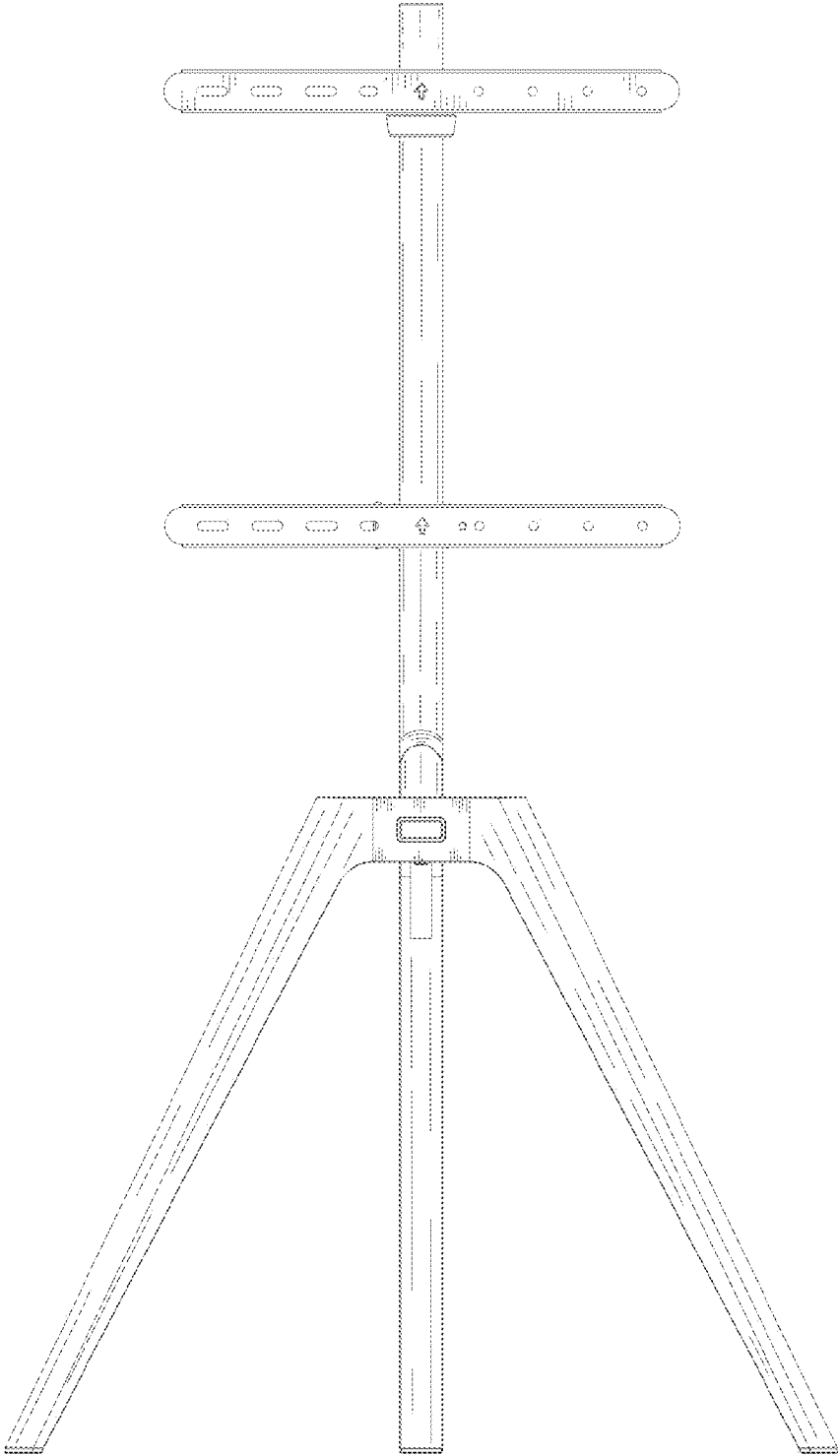


FIG.3

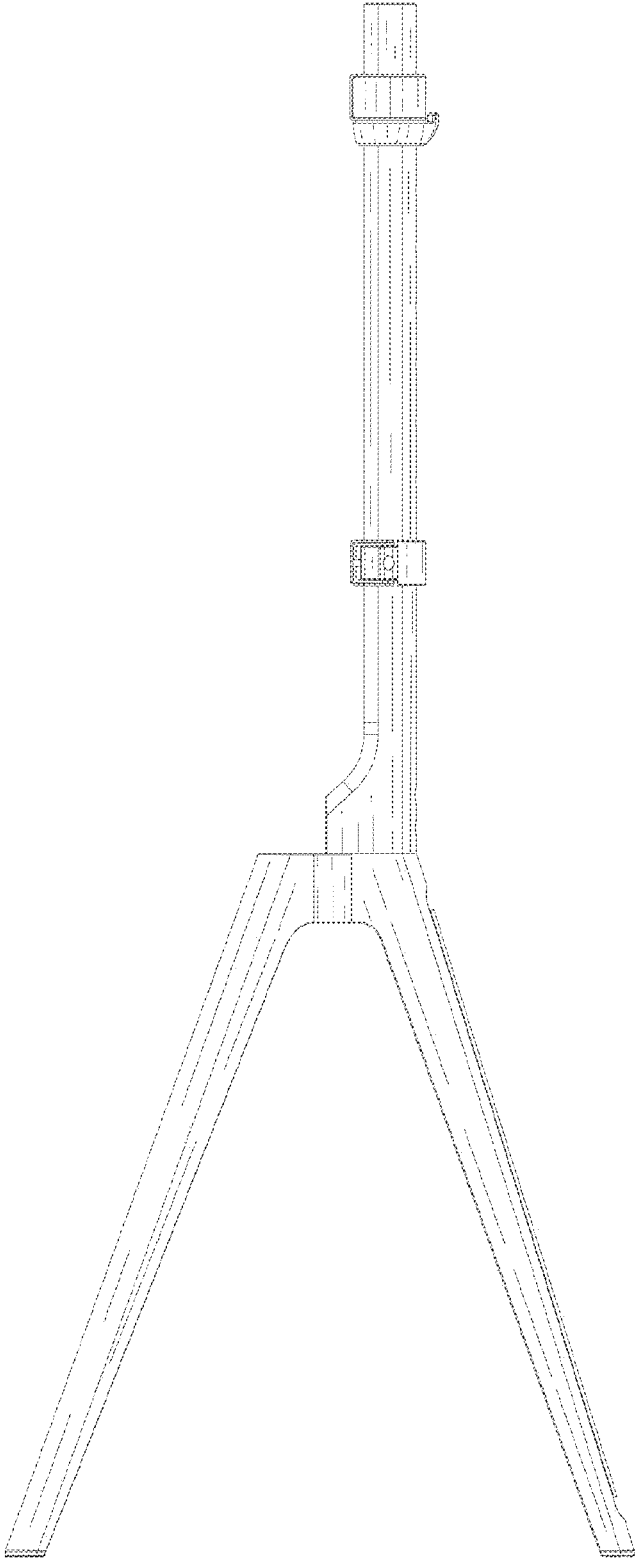


FIG.4

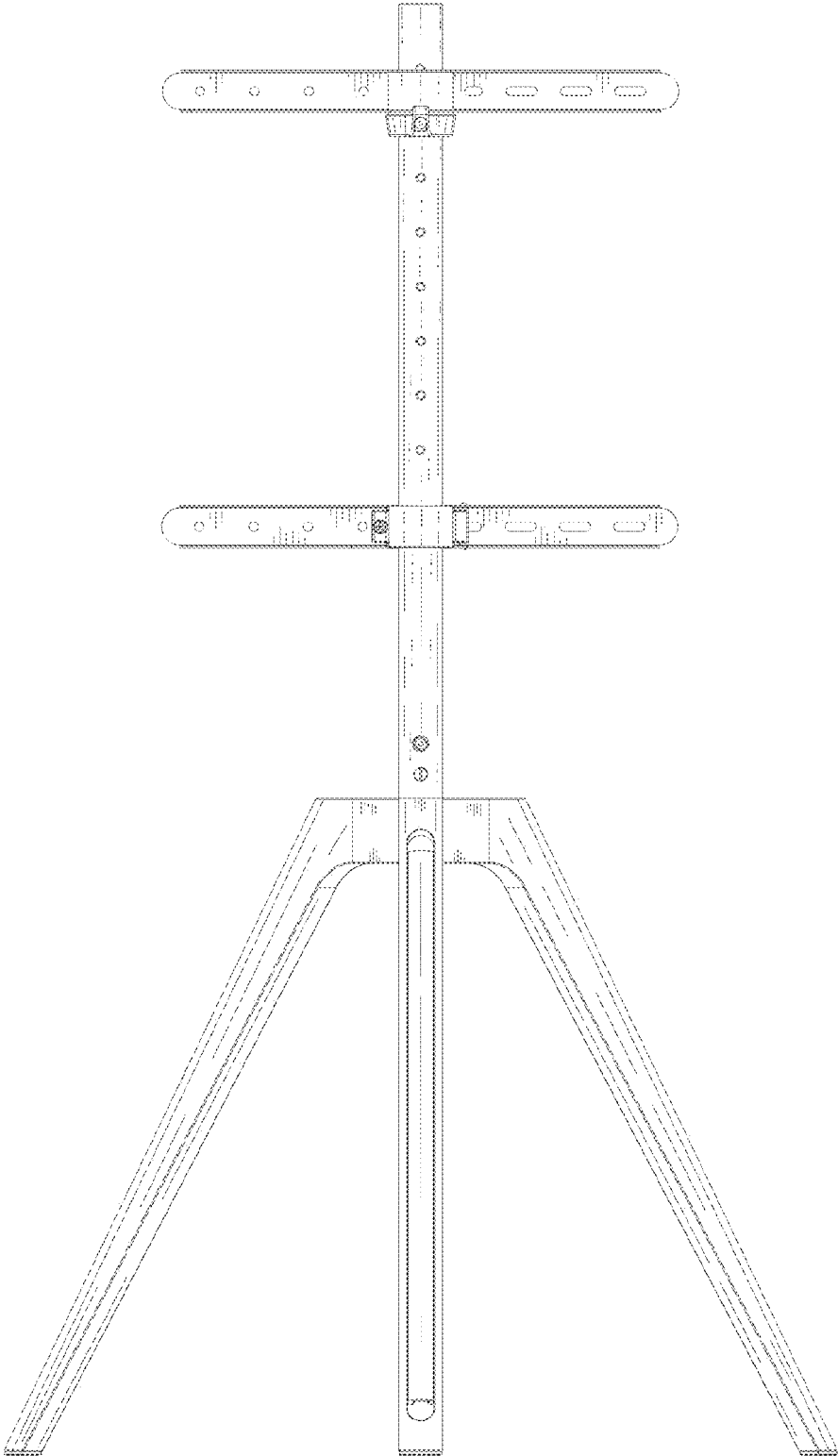


FIG.5

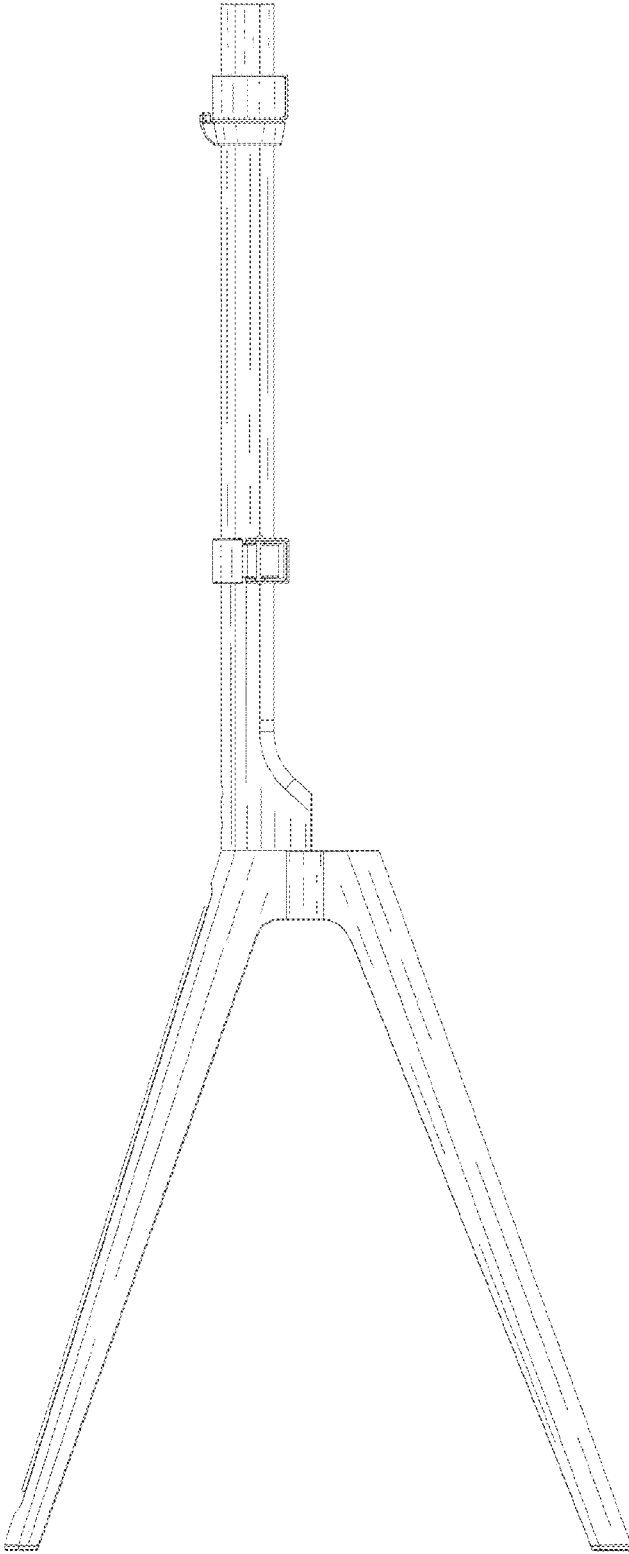


FIG.6

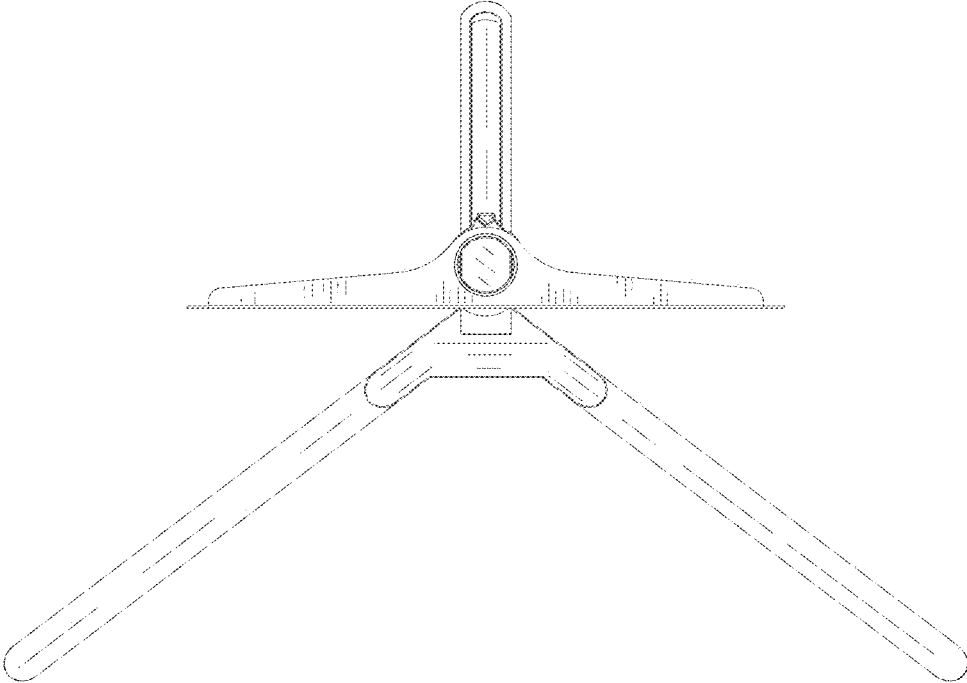


FIG.7

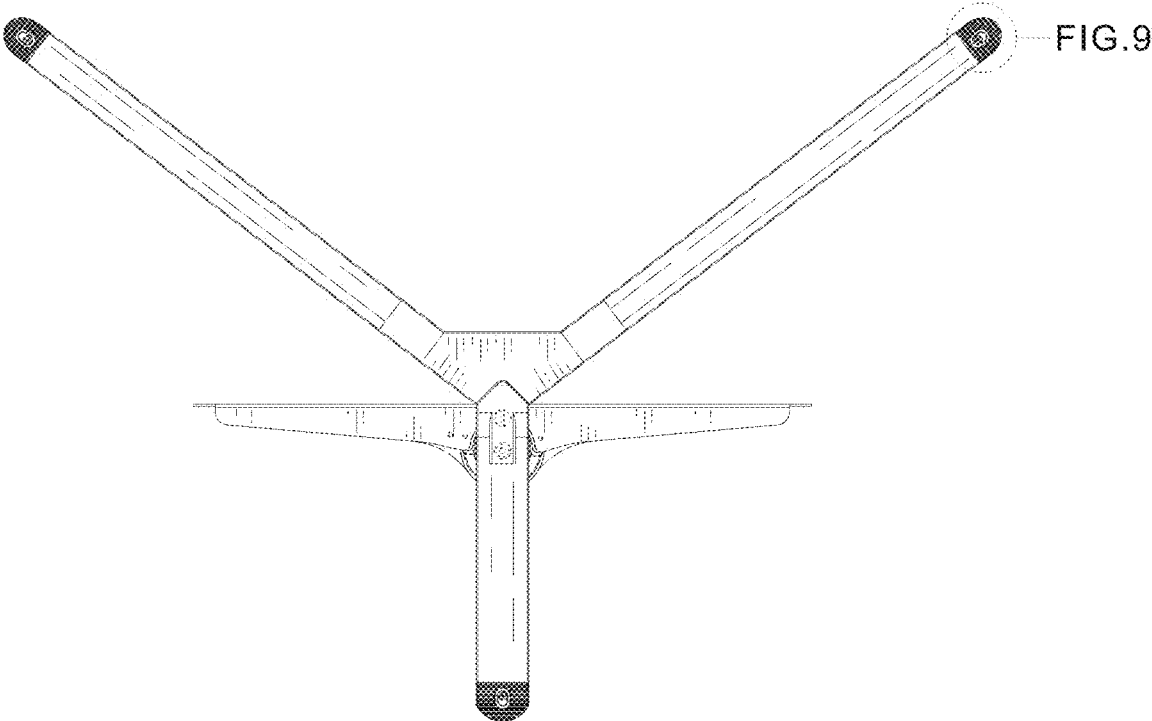


FIG. 8

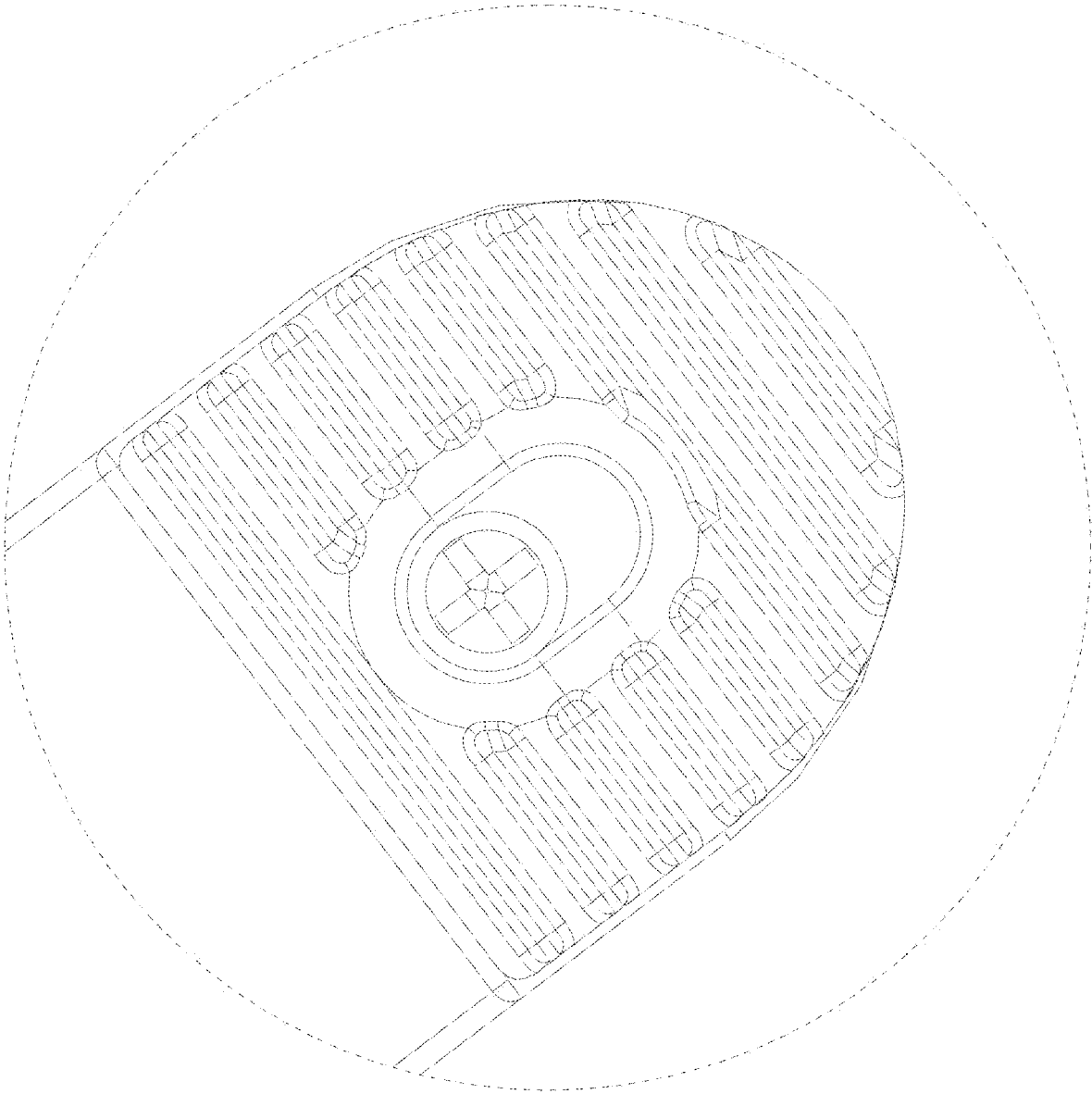


FIG.9