



US00D915315S

(12) **United States Design Patent**
Ho

(10) **Patent No.:** **US D915,315 S**

(45) **Date of Patent:** **** Apr. 6, 2021**

- (54) **DISPLAY DEVICE**
- (71) Applicant: **GIGA-BYTE TECHNOLOGY CO., LTD.**, New Taipei (TW)
- (72) Inventor: **Jui-Fong Ho**, New Taipei (TW)
- (73) Assignee: **GIGA-BYTE TECHNOLOGY CO., LTD.**, New Taipei (TW)
- (**) Term: **15 Years**
- (21) Appl. No.: **29/682,877**
- (22) Filed: **Mar. 8, 2019**

Primary Examiner — Barbara Fox
Assistant Examiner — Aram Kwon
 (74) *Attorney, Agent, or Firm* — Maschoff Brennan

(57) **CLAIM**

The ornamental design for a display device, as shown and described.

DESCRIPTION

(30) **Foreign Application Priority Data**

Nov. 14, 2018 (TW) 107306685

(51) **LOC (13) Cl.** **14-03**

(52) **U.S. Cl.**
USPC **D14/126; D14/125**

(58) **Field of Classification Search**
USPC D14/125–137, 138 G, 239, 240, 248,
D14/314–316, 322, 326, 334–336, 339,
(Continued)

(56) **References Cited**

U.S. PATENT DOCUMENTS

D395,454 S * 6/1998 Hayashi D14/374
 D567,200 S * 4/2008 Rieu Piquet D14/126
 (Continued)

FOREIGN PATENT DOCUMENTS

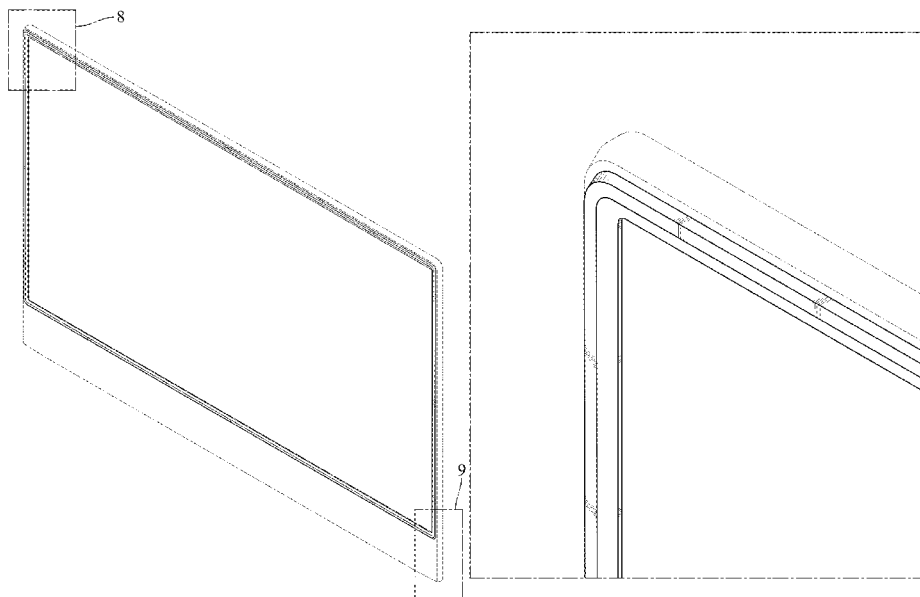
CN 302849569 6/2014
 CN 303987843 12/2016
 (Continued)

OTHER PUBLICATIONS

TW Office Action in Application No. 107306685 dated Nov. 5, 2020.

FIG. 1 is a top, front and right side perspective view of a display device showing my new design;
 FIG. 2 is a bottom, rear and right side perspective view thereof;
 FIG. 3 is a front view thereof;
 FIG. 4 is a rear view thereof;
 FIG. 5 is a left side view thereof, the right side view being a mirror image thereof;
 FIG. 6 is a top view thereof;
 FIG. 7 is a bottom view thereof;
 FIG. 8 is an enlarged view of the enclosed portion 8 as illustrated in FIG. 1;
 FIG. 9 is an enlarged view of the enclosed portion 9 as illustrated in FIG. 1;
 FIG. 10 is an enlarged view of the enclosed portion 10 as illustrated in FIG. 2;
 FIG. 11 is an enlarged view of the enclosed portion 11 as illustrated in FIG. 3;
 FIG. 12 is an enlarged view of the enclosed portion 12 as illustrated in FIG. 3; and,
 FIG. 13 is an enlarged view of the enclosed portion 13 as illustrated in FIG. 5.
 The evenly dashed lines illustrate portions of the display device that form no part of the claimed design. The dash-dot lines enclosing portions of the claim design that are illustrated in enlargements form no part of the claimed design.

1 Claim, 12 Drawing Sheets



US D915,315 S

(58) **Field of Classification Search**

USPC D14/340, 341, 356, 358, 371, 373-374,
 D14/448, 450; D9/414, 770; D6/300
 CPC G06F 1/16; G06F 1/1601; G06F 1/1637;
 G06F 3/041; G06F 3/0412; G06F 3/0416;
 H04N 5/64; H05K 5/0204; H05K 5/0017;
 H05K 5/0217; H04M 1/725; H04M
 1/0202; H04M 1/0266

See application file for complete search history.

D783,020	S	*	4/2017	Inoue	D14/374
D783,554	S	*	4/2017	Kim	D14/126
D784,940	S	*	4/2017	Lee	D14/126
D805,487	S	*	12/2017	Kim	D14/126
D806,048	S	*	12/2017	Lee	D14/126
D811,356	S	*	2/2018	Won	D14/126
D811,357	S	*	2/2018	Won	D14/126
D812,030	S	*	3/2018	Kim	D14/126
D817,903	S	*	5/2018	Won	D14/126
D819,027	S	*	5/2018	Lee	D14/374
D828,313	S	*	9/2018	Lee	D14/126
D849,702	S	*	5/2019	Lee	D14/126
2014/0118895	A1	*	5/2014	Su	B23P 15/00 361/679.01

(56) **References Cited**

U.S. PATENT DOCUMENTS

D576,976	S	*	9/2008	Rieu Piquet	D14/126
D584,703	S	*	1/2009	Kimura	D14/126
D642,149	S	*	7/2011	Inoue	D14/126
D659,662	S	*	5/2012	Lv	D14/126
D664,954	S	*	8/2012	Kim	D14/341
D675,583	S	*	2/2013	Kubota	D14/126
D691,604	S	*	10/2013	Seong	D14/374
D722,579	S	*	2/2015	Yagi	D14/126
D722,988	S	*	2/2015	Kim	D14/126
D759,607	S	*	6/2016	Ann	D14/126

FOREIGN PATENT DOCUMENTS

JP	D2019-5431	*	8/2019
KR	3020160028726	*	2/2020
KR	3020160049933	*	7/2020
RU	2014500816	*	8/2015
TW	D126101		11/2008
WO	WOD091660-005	*	7/2016
WO	WOD100403-007	*	11/2019

* cited by examiner

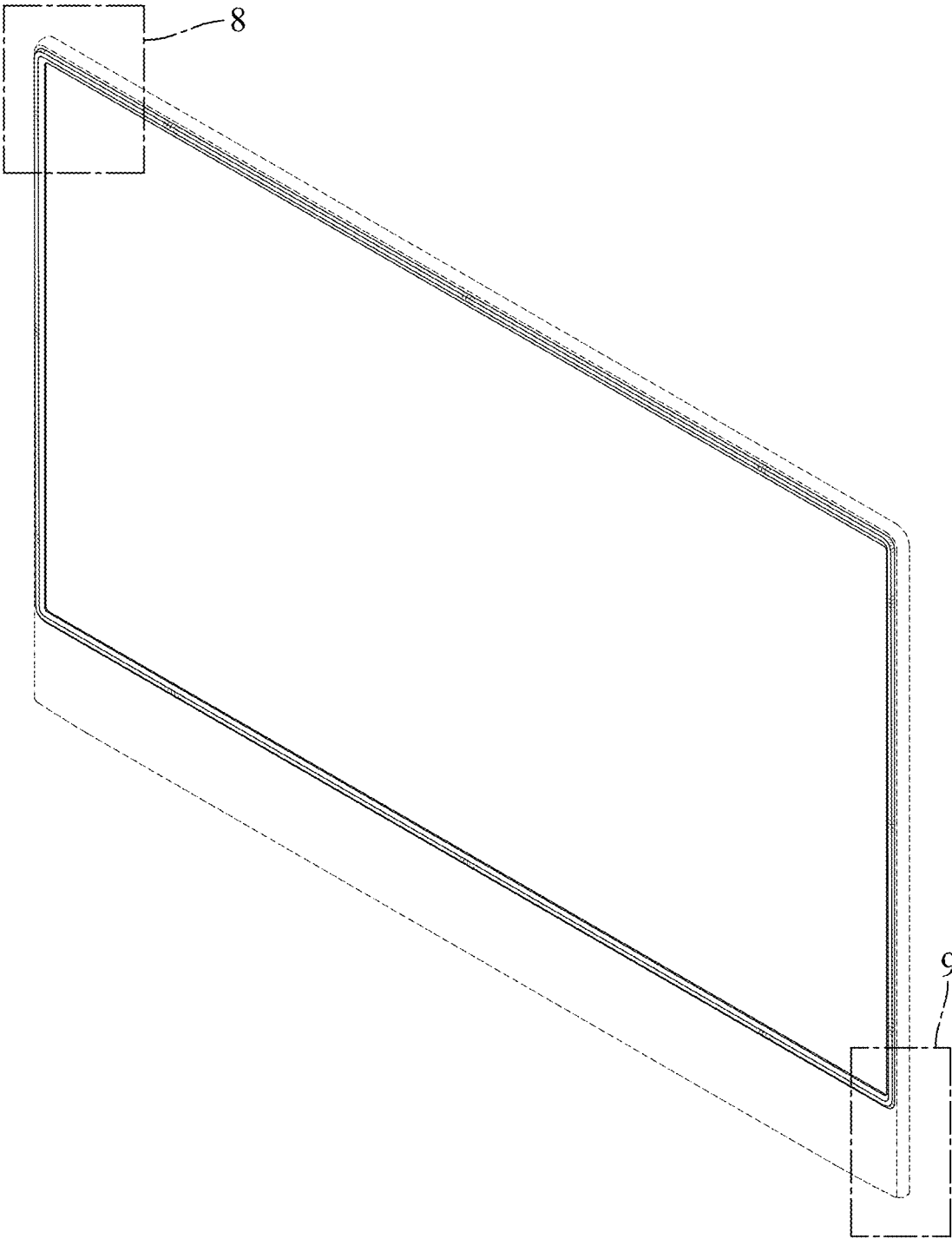


FIG. 1

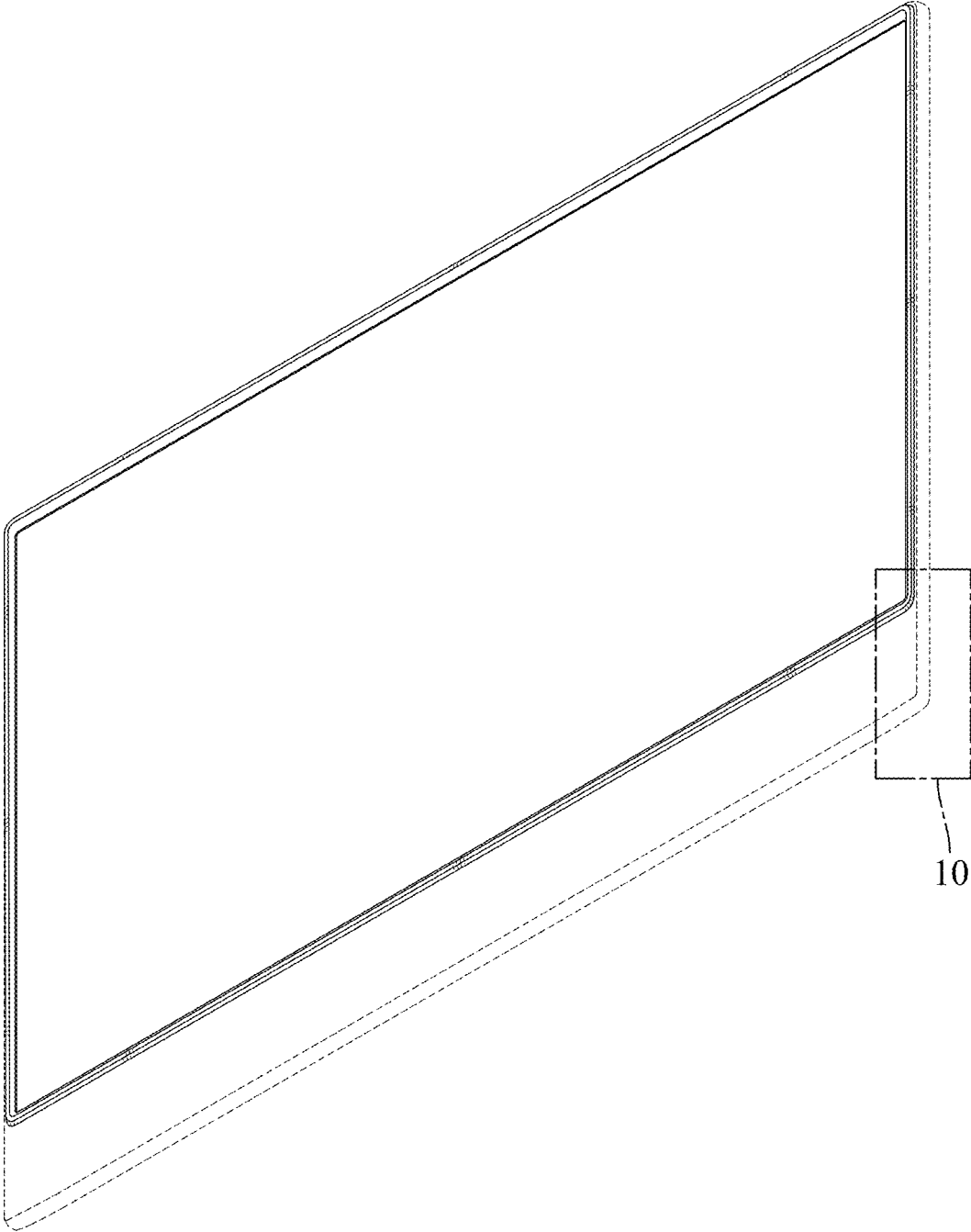


FIG. 2

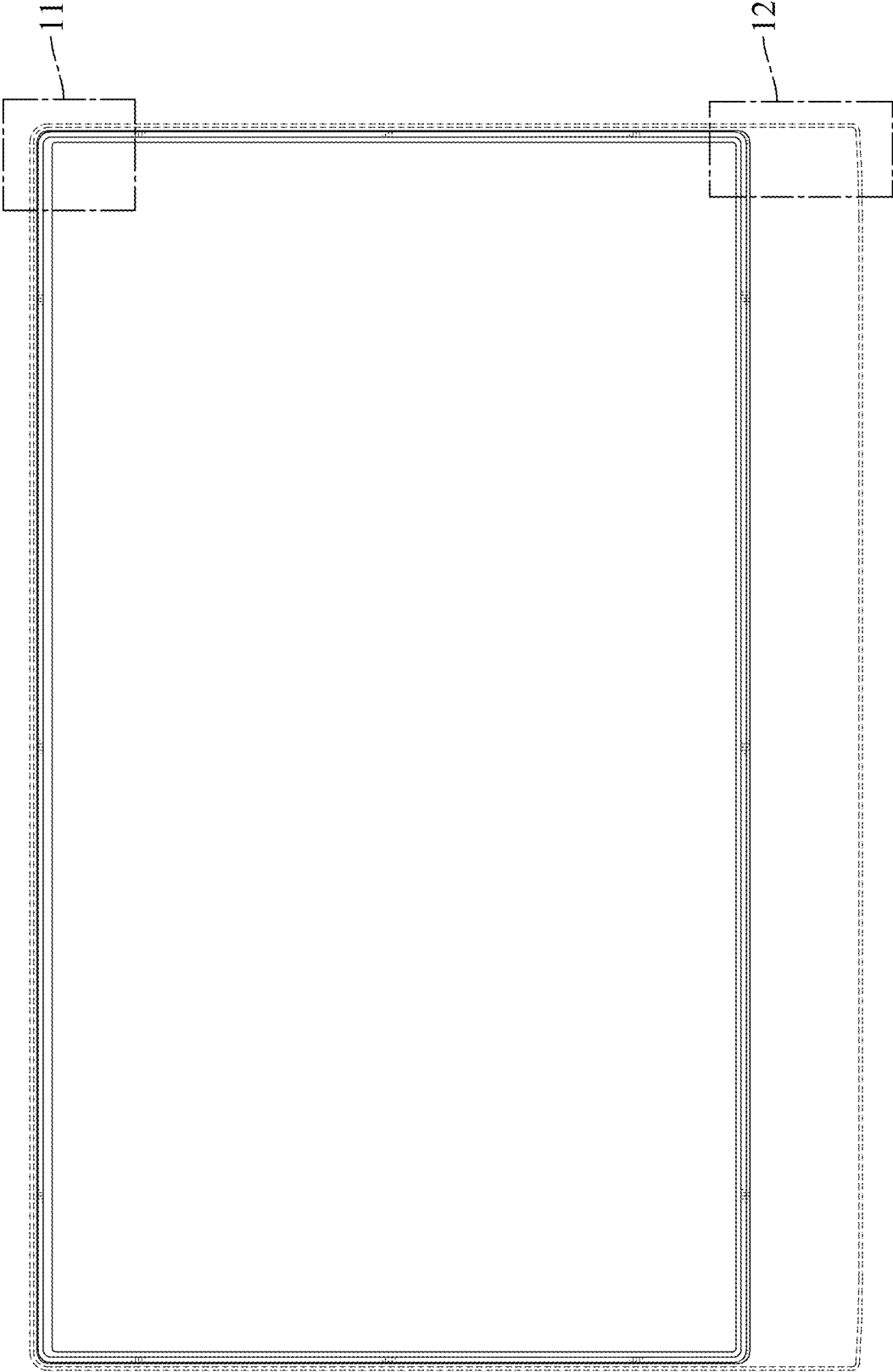


FIG. 3



FIG. 4

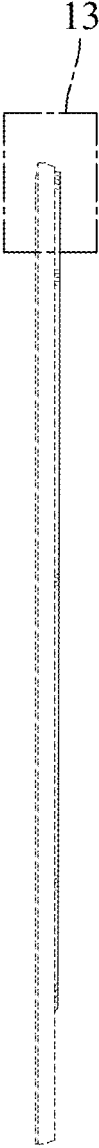


FIG. 5

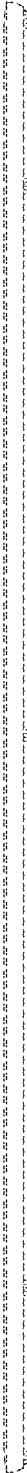


FIG. 6

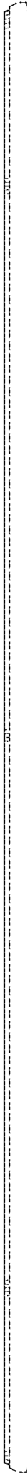


FIG. 7

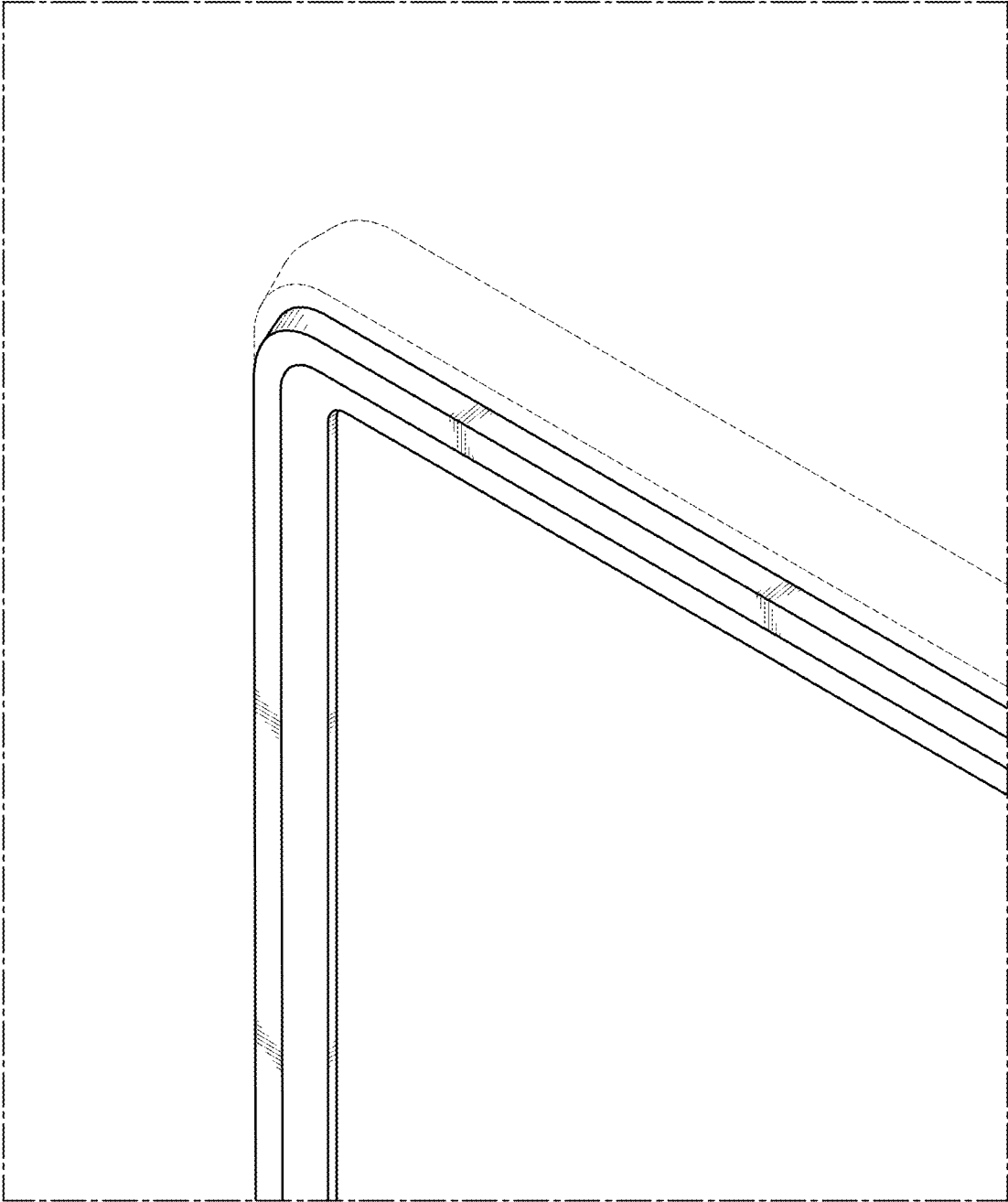


FIG. 8

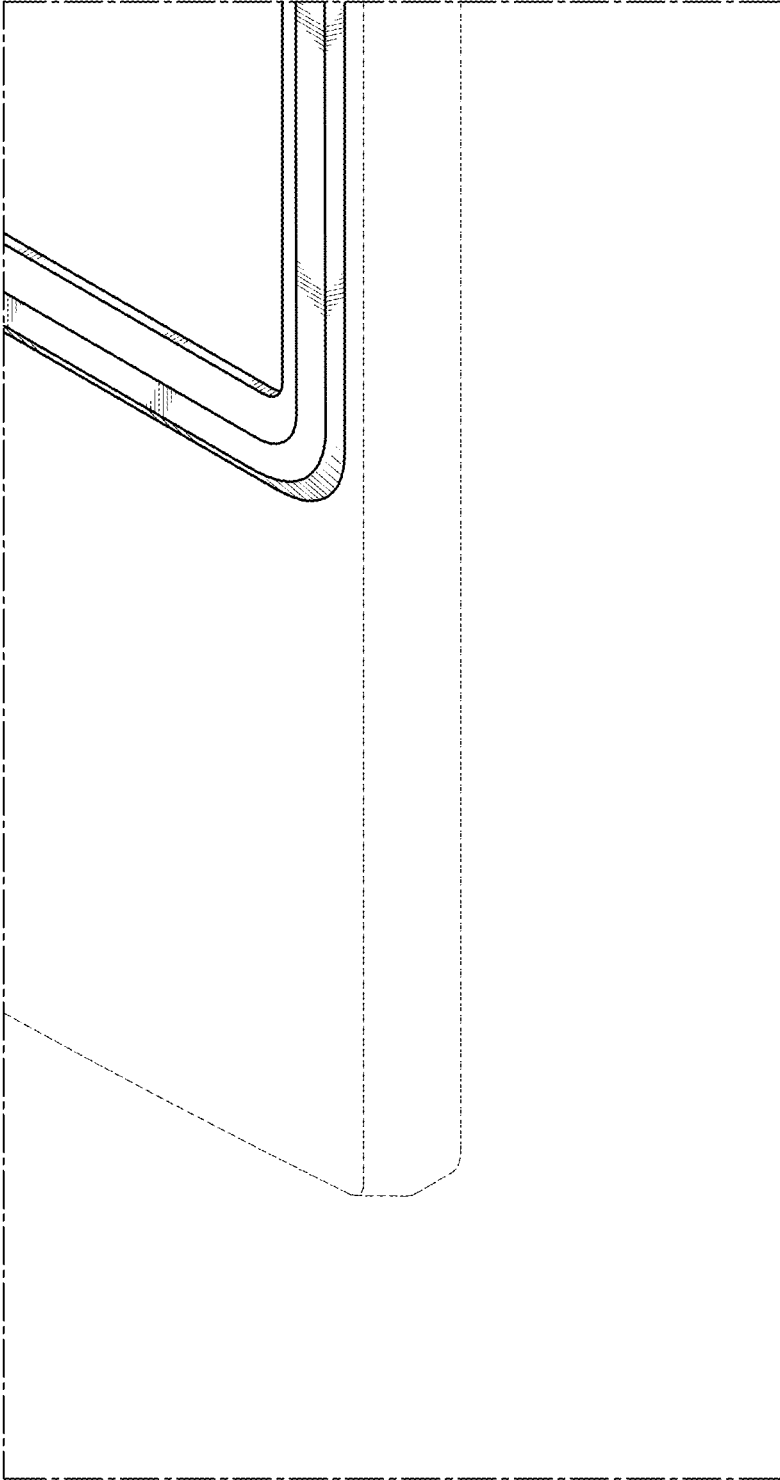


FIG. 9

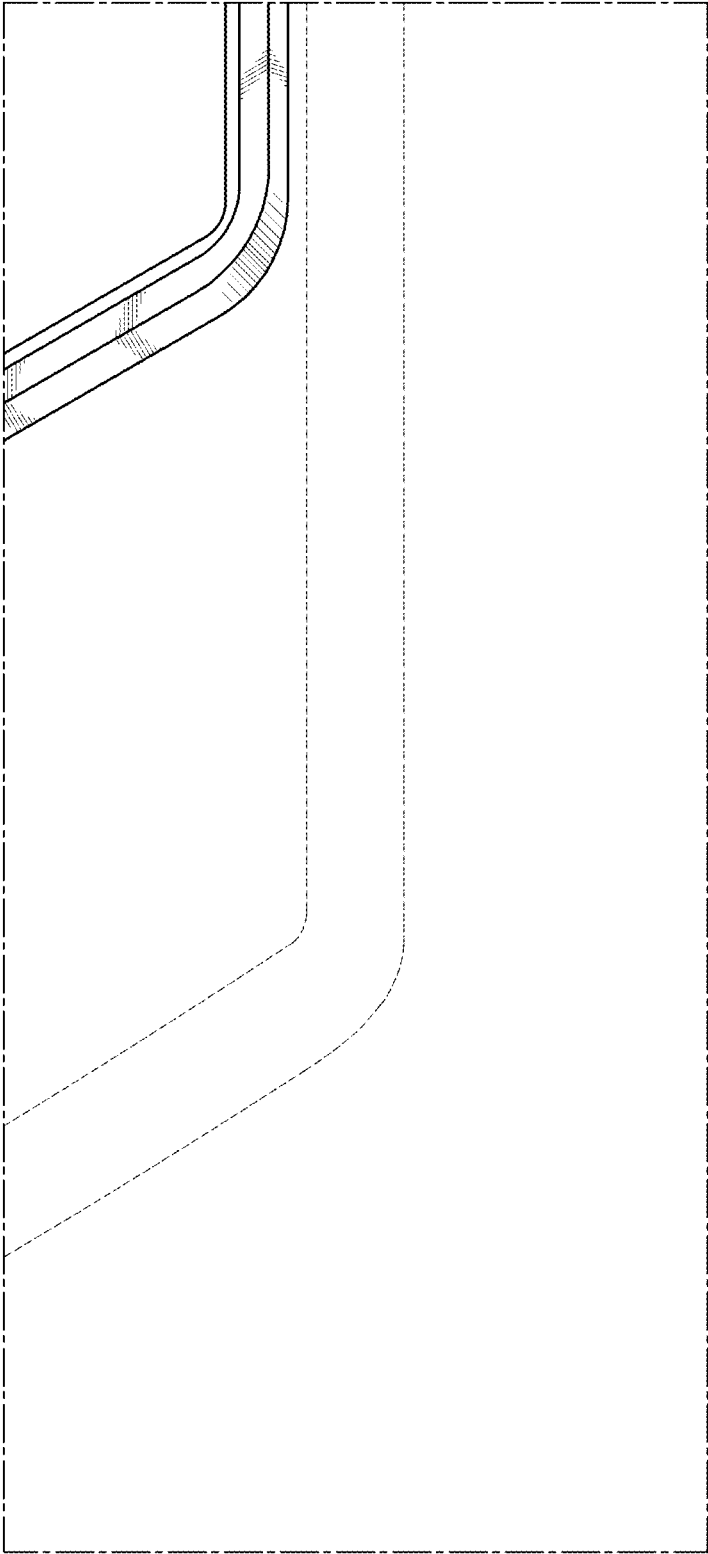


FIG. 10

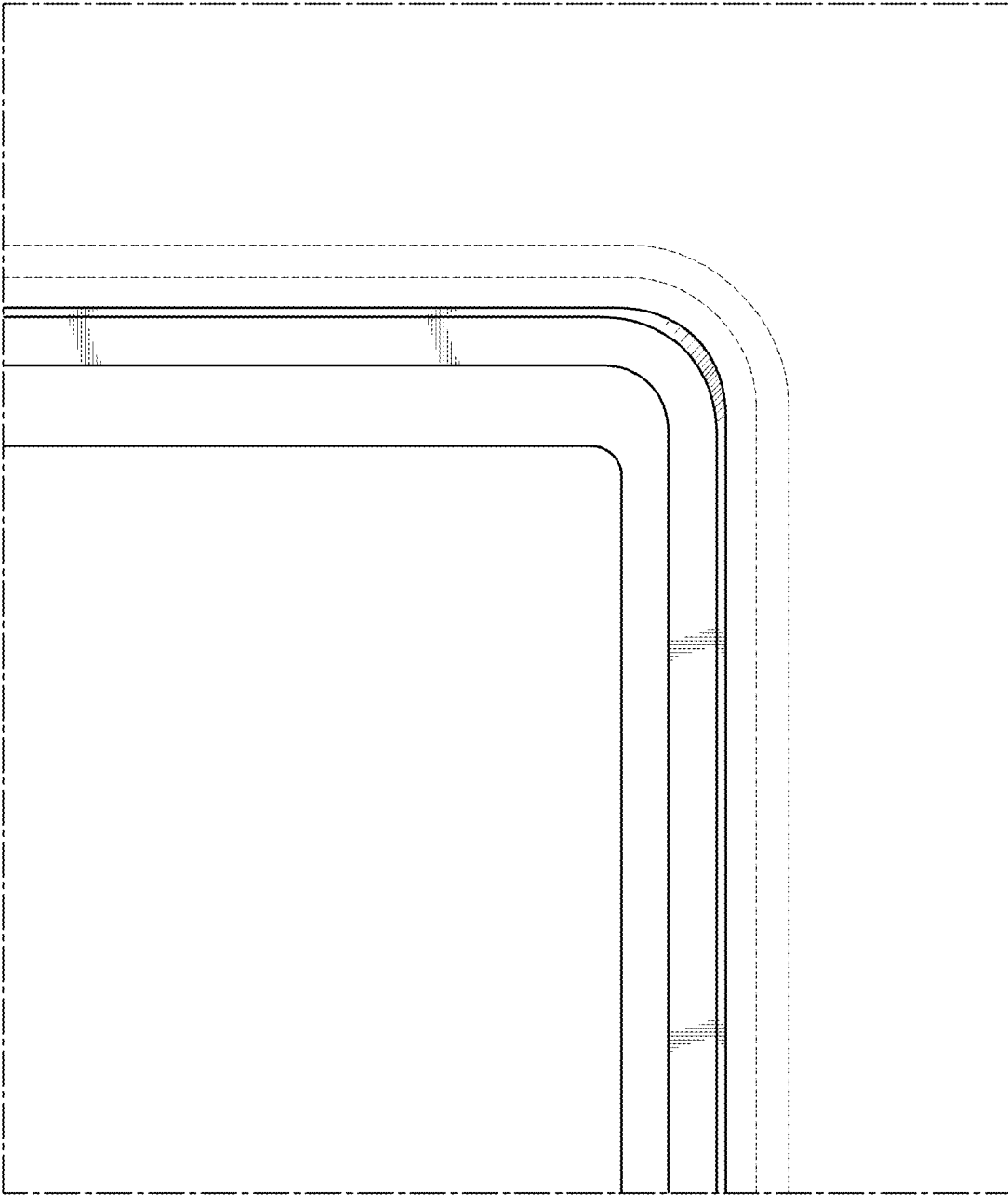


FIG. 11

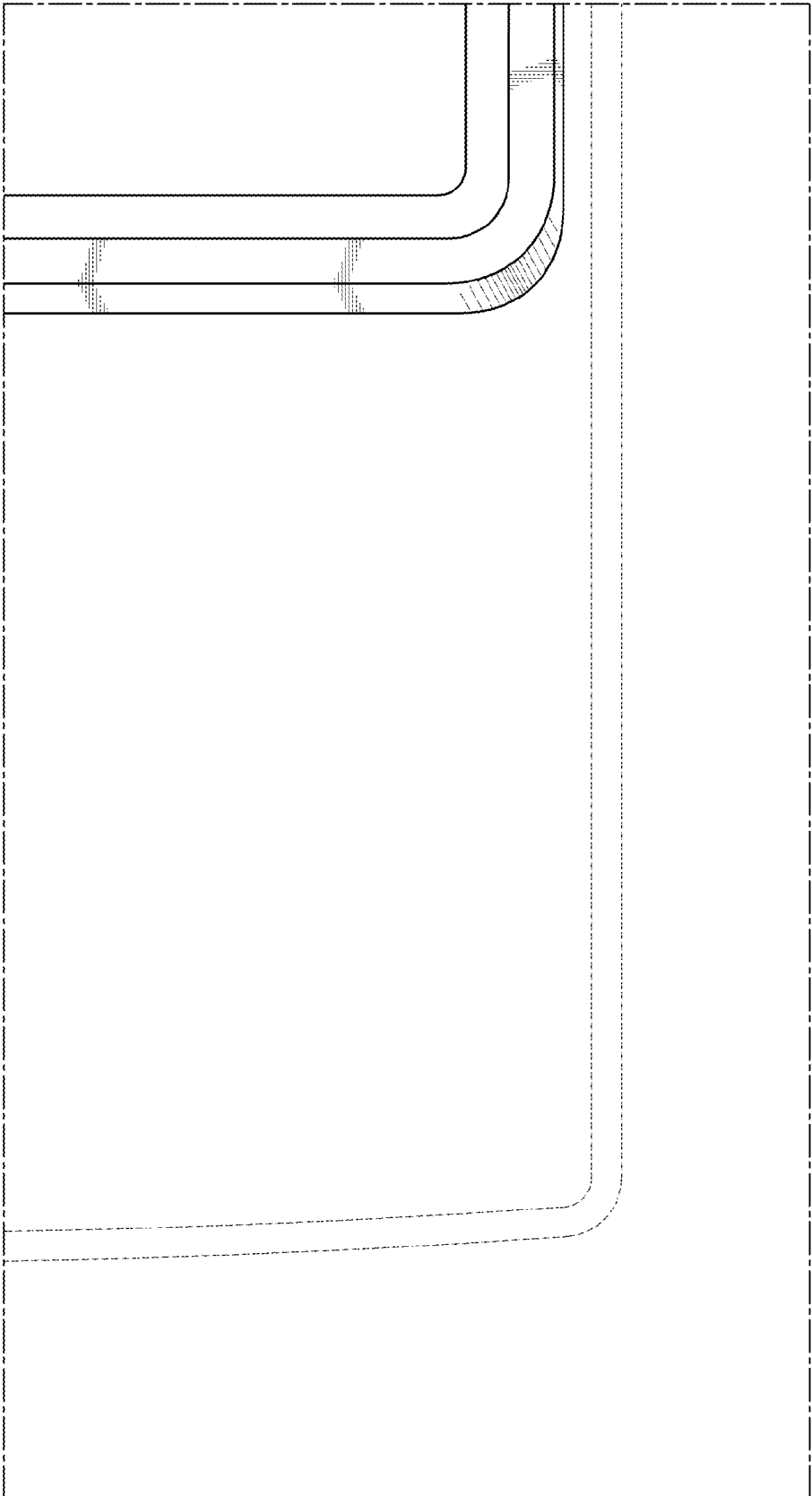


FIG. 12

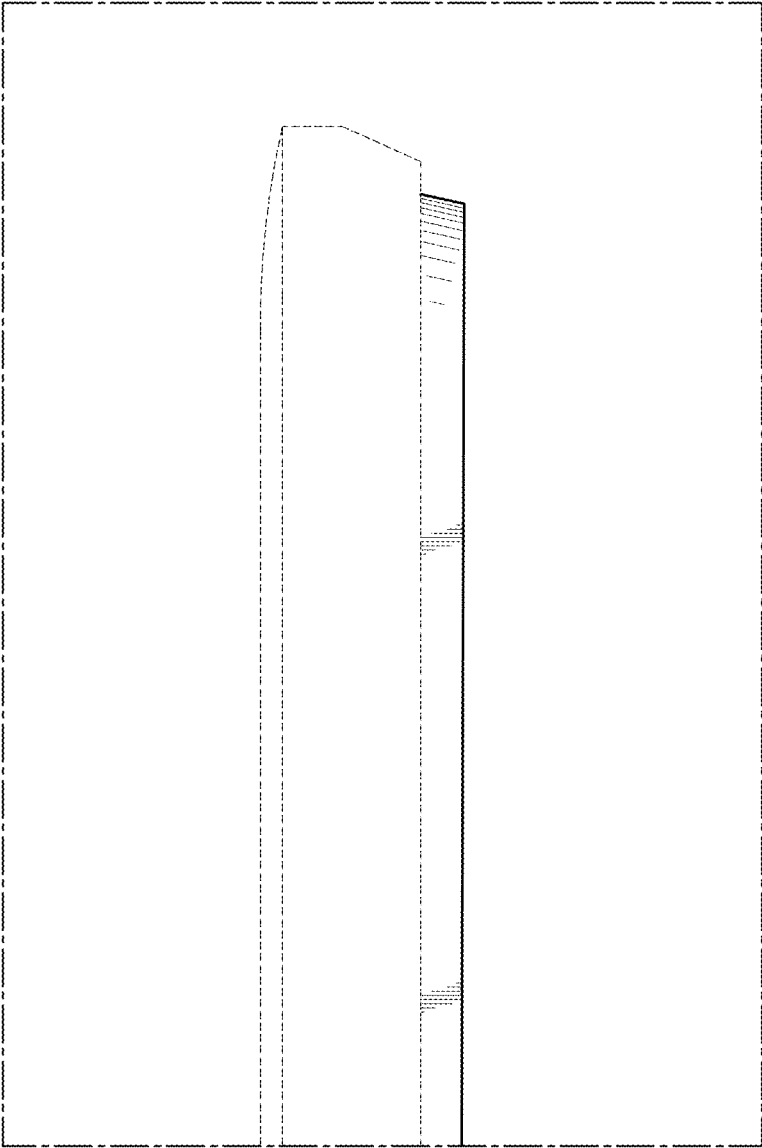


FIG. 13