



US00D331060S

# United States Patent [19]

[11] Patent Number: **Des. 331,060**

**Emmons et al.**

[45] Date of Patent: **\*\* Nov. 17, 1992**

[54] **OMNIDIRECTIONAL REMOTE CONTROLLER FOR TELEVISION RECEIVERS AND THE LIKE**

[75] Inventors: **Lawrence D. Emmons**, Grass Valley; **Douglas M. Patton**, Irvine, both of Calif.

[73] Assignee: **Mitsubishi Electronics America, Inc.**, Cypress, Calif.

[\*\*] Term: **14 Years**

[21] Appl. No.: **835,140**

[22] Filed: **Feb. 12, 1992**

### Related U.S. Application Data

[62] Division of Ser. No. 430,657, Nov. 2, 1989, Pat. No. Des. 325,582.

[52] U.S. Cl. .... **D14/218**

[58] Field of Search .... D13/168; D14/192, 217-218, D14/299; 358/194.1; 455/151, 352-355, 603, 605

[56] **References Cited**

### U.S. PATENT DOCUMENTS

D. 232,863 9/1974 Tong ..... D14/192  
D. 281,776 12/1985 Griffin ..... D13/168  
D. 301,332 5/1989 Schwartz ..... D13/168 X

*Primary Examiner*—Terry A. Pfeffer  
*Attorney, Agent, or Firm*—Knobbe, Martens, Olson & Bear

[57] **CLAIM**

The ornamental design of an omnidirectional remote controller for television receivers and the like, as shown.

### DESCRIPTION

FIG. 1 is a perspective view of an omnidirectional remote controller for television receivers and the like showing our new design;

FIG. 2 is a front elevational view thereof;

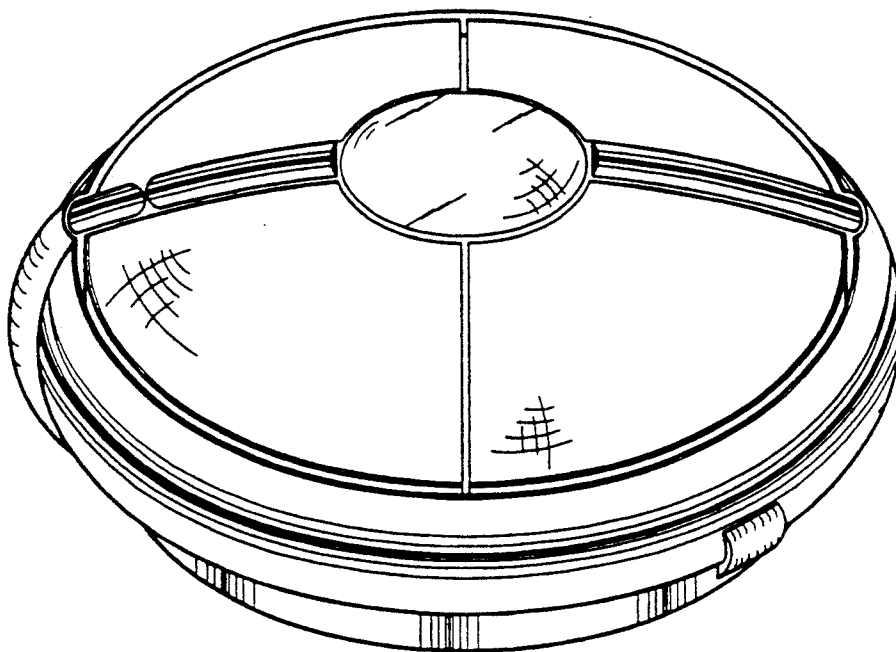
FIG. 3 is a rear elevational view thereof;

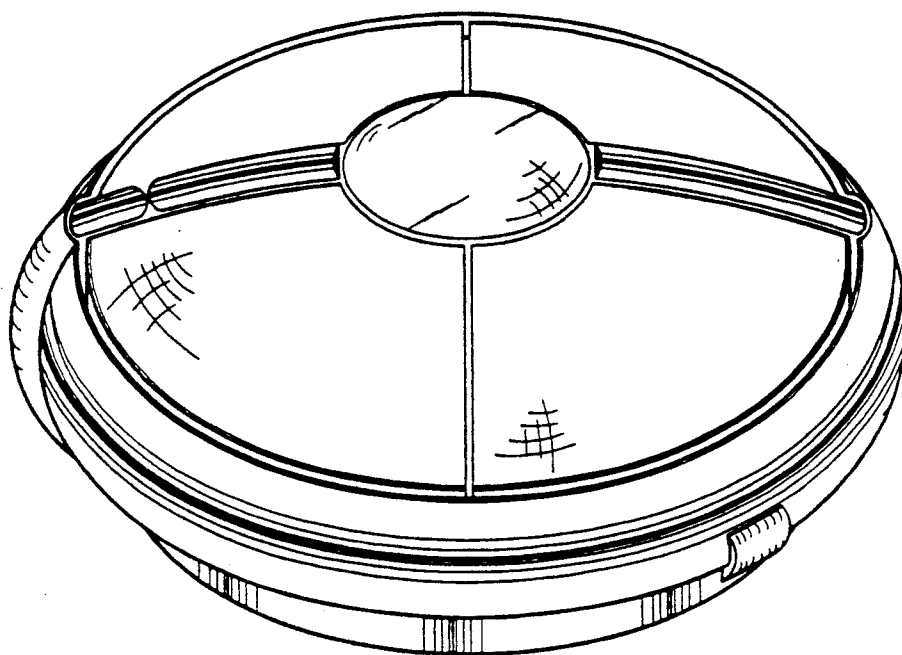
FIG. 4 is a top plan view thereof;

FIG. 5 is a left side elevational view thereof;

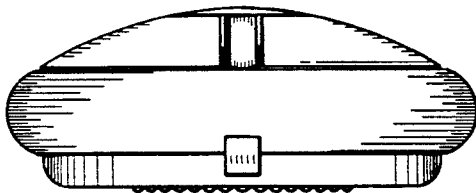
FIG. 6 is a right side elevational view thereof; and,

FIG. 7 is a bottom plan view thereof.

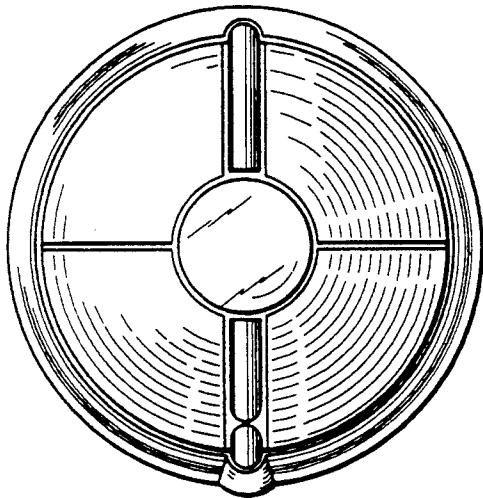




*Fig. 1*

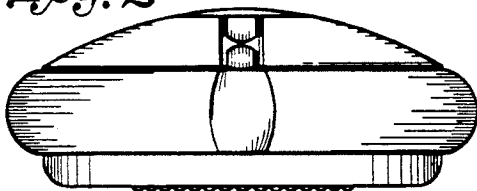


*Fig. 3*

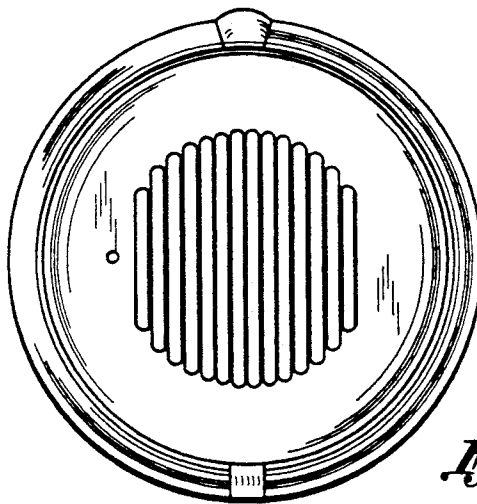
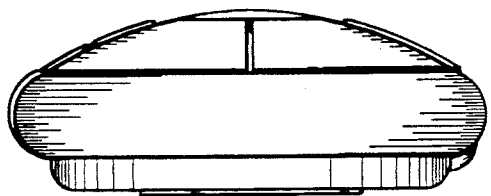


*Fig. 4*

*Fig. 2*



*Fig. 5*



*Fig. 7*

*Fig. 6*

