



US00D403604S

# United States Patent [19]

[11] Patent Number: **Des. 403,604**

Tsubota et al.

[45] Date of Patent: **\*\*Jan. 5, 1999**

[54] **REAGENT CARTRIDGE FOR COLORIMETER**

[76] Inventors: **Yoshitami Tsubota**, 890-81, Wake-cho 2-chome; **Sadatoshi Takechi**, 1089-2, Hirai-cho; **Katsufumi Isshiki**, 186, Kitasaya-cho; **Takeshi Fukumura**, 333, Kou 247, Horie-cho, all of Matsuyama-shi, Ehime-ken; **Tomisada Kubota**, 33-2, Kamiigusa 2-chome, Suginami-ku, Tokyo, all of Japan

D. 357,876 5/1995 McConnell .  
 D. 360,840 8/1995 Brockway et al. .  
 3,927,955 12/1975 Spinosa et al. .  
 4,187,057 2/1980 Xanthopoulos .  
 4,256,437 3/1981 Brown .  
 4,303,376 12/1981 Sickmann .  
 4,537,561 8/1985 Xanthopoulos .  
 4,886,431 12/1989 Soderquist et al. .  
 5,082,429 1/1992 Soderquist et al. .  
 5,213,483 5/1993 Flaherty et al. .  
 5,257,917 11/1993 Minarik et al. .  
 5,380,173 1/1995 Hellstrom .  
 5,441,895 8/1995 Jakubowicz et al. .... 422/102 X  
 5,635,137 6/1997 Manz et al. .... 422/102

[\*\*] Term: **14 Years**

[21] Appl. No.: **85,383**

[22] Filed: **Mar. 23, 1998**

[30] **Foreign Application Priority Data**

Sep. 29, 1997 [JP] Japan ..... 9-69789

[51] **LOC (6) Cl.** ..... **10-04**

[52] **U.S. Cl.** ..... **D10/81; D24/223**

[58] **Field of Search** ..... D10/81; D24/223; 356/246; 422/102, 61, 63, 65, 103; 206/221

[56] **References Cited**

### U.S. PATENT DOCUMENTS

D. 333,992 3/1993 Anderson .  
 D. 336,444 6/1993 Anderson et al. .  
 D. 354,921 1/1995 Narayanan .

*Primary Examiner*—Antoine Duval Davis  
*Attorney, Agent, or Firm*—Birch, Stewart, Kolasch & Birch, LLP

### CLAIM

[57] The ornamental design for a reagent cartridge for colorimeter, as shown and described.

### DESCRIPTION

FIG. 1 is a front perspective view from the left side of a reagent cartridge for colorimeter showing our new design; FIG. 2 is a rear perspective view thereof; and, FIG. 3 is a front perspective view thereof with the body of colorimeter illustrated in a removed condition. The broken line showing of a colorimeter is for illustrative purposes only and forms no part of the claimed design.

**1 Claim, 3 Drawing Sheets**

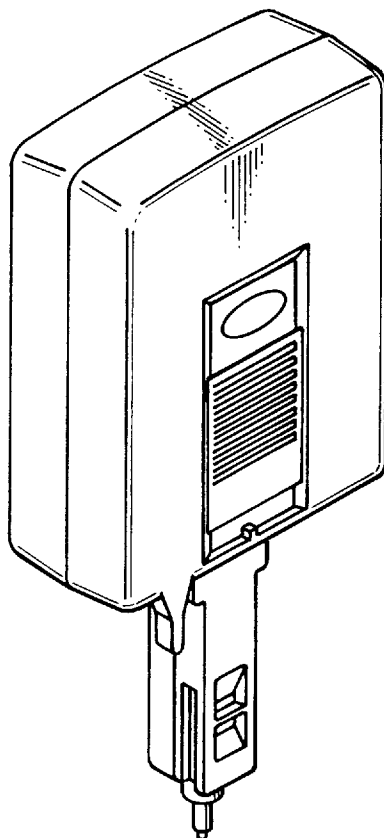


FIG. 1

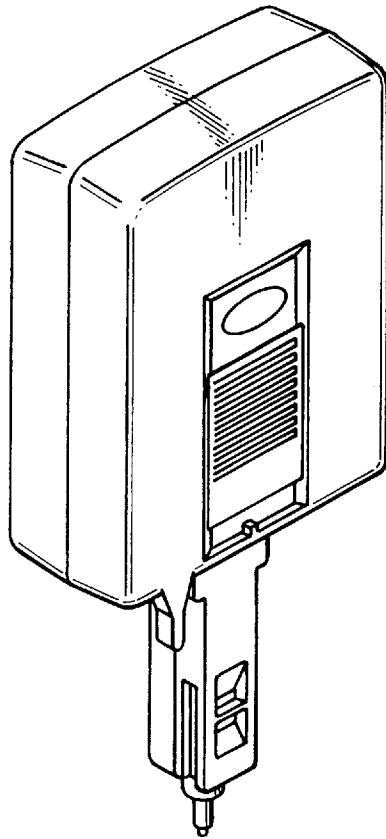


FIG. 2

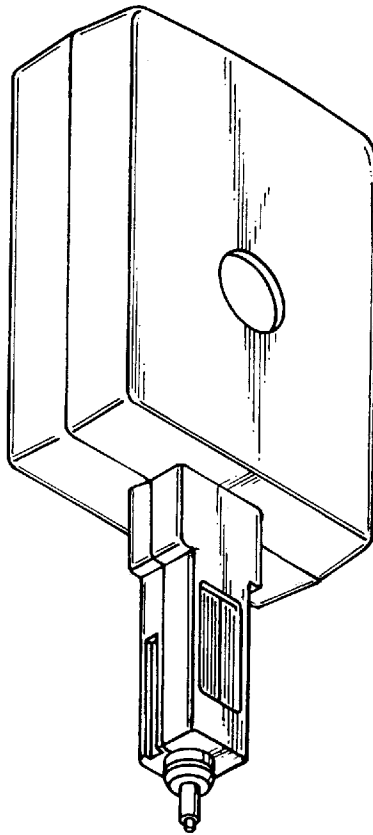
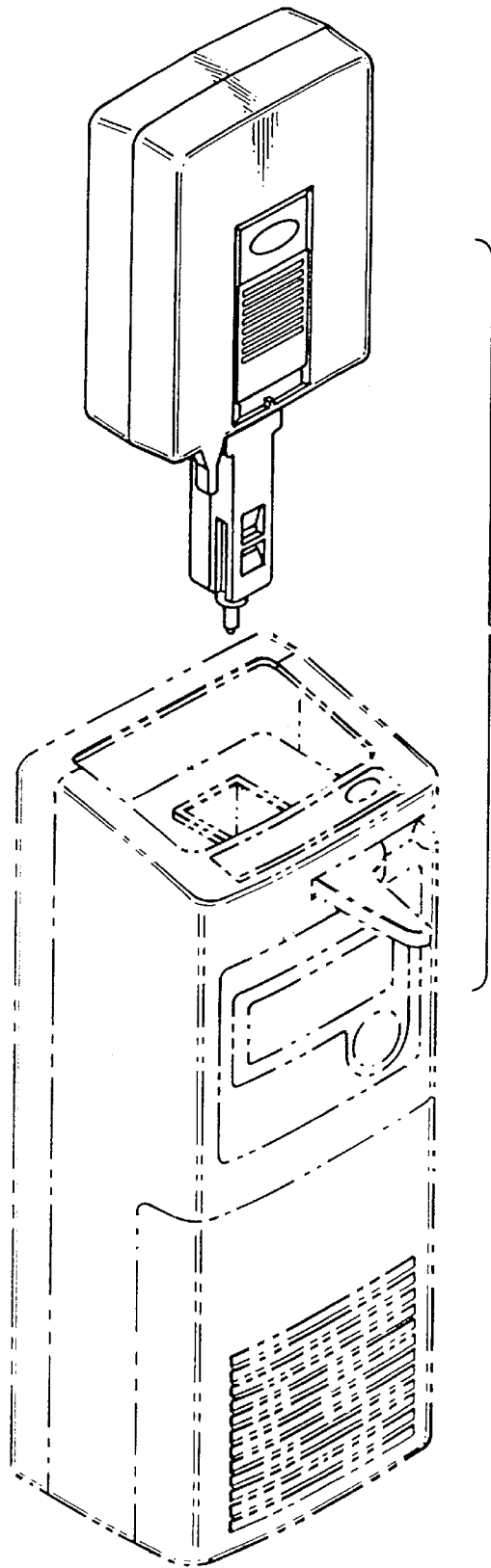


FIG. 3



UNITED STATES PATENT AND TRADEMARK OFFICE  
**CERTIFICATE OF CORRECTION**

PATENT NO. : Des. 403,604  
DATED : January 5, 1999  
INVENTOR(S) : Y. TSUBOTA et al.

It is certified that error appears in the above-identified patent and that said Letters Patent is hereby corrected as shown below:

On the title page, insert the following:

--[73] Assignee: Miura Co., Ltd.  
Ehime-ken, JAPAN--

Signed and Sealed this

Twenty-sixth Day of October, 1999

Attest:



Q. TODD DICKINSON

Attesting Officer

Acting Commissioner of Patents and Trademarks