



US00D658503S

(12) **United States Design Patent**
Mather

(10) **Patent No.:** **US D658,503 S**

(45) **Date of Patent:** **** May 1, 2012**

(54) **BOTTLE**

(75) Inventor: **Nicole Mather**, Laguna Beach, CA (US)

(73) Assignee: **Sillage, LLC**, Corona del Mar, CA (US)

(**) Term: **14 Years**

(21) Appl. No.: **29/390,140**

(22) Filed: **Apr. 20, 2011**

(51) **LOC (9) Cl.** **09-01**

(52) **U.S. Cl.** **D9/692**

(58) **Field of Classification Search** D9/600,
D9/643, 682-694, 516-575; D28/5, 76-91.1;
215/379-384; 220/669-675; 222/129, 135,
222/153.01, 153.03, 153.04, 153.09, 153.11-153.14,
222/182, 631, 635, 209, 211-213, 215, 321.7-321.9,
222/372, 373, 378, 379, 383.1, 384-386,
222/398, 400.7, 400.8, 401, 402.1-402.25
See application file for complete search history.

(56) **References Cited**

U.S. PATENT DOCUMENTS

D106,463 S * 10/1937 Vuilleminot D28/91.1
D130,820 S * 12/1941 Bettiol D9/546
D150,004 S * 6/1948 Flaxman D28/87
D152,393 S * 1/1949 Buckingham D7/300

D158,071 S * 4/1950 Guerlain D9/545
D196,929 S * 11/1963 Schilling D7/597
D355,602 S * 2/1995 Buettner et al. D9/505
D360,706 S * 7/1995 Gavin D28/91
D463,263 S * 9/2002 Gobe D9/691
D468,626 S * 1/2003 Jedal et al. D9/693
D480,269 S * 10/2003 Currier D7/515

FOREIGN PATENT DOCUMENTS

CN 3612361 * 2/2007
CN 300815095 * 8/2008
KR 300489217.0000 * 4/2008
WO D072673-009 * 12/2009
WO D072673-010 * 12/2009

* cited by examiner

Primary Examiner — Catherine Tuttle

(74) *Attorney, Agent, or Firm* — Baker & Hostetler

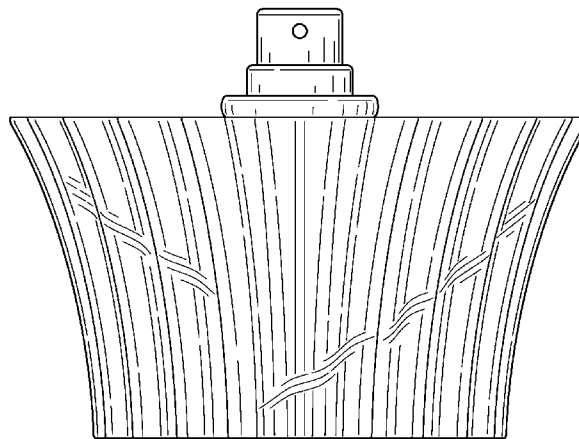
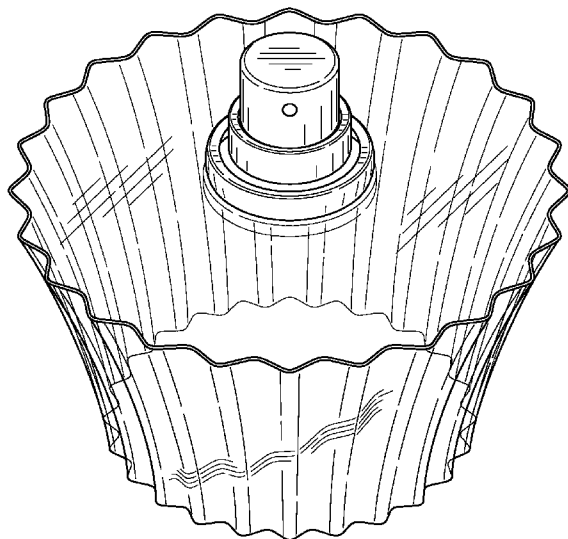
(57) **CLAIM**

The ornamental design for the bottle, as shown.

DESCRIPTION

FIG. 1 is a perspective view of the bottle showing my new design;
FIGS. 2, 3, 4 and 5 are front, rear and side views at 90° offsets;
FIG. 6 is a top plan view thereof; and,
FIG. 7 is a bottom plan view thereof.

1 Claim, 5 Drawing Sheets



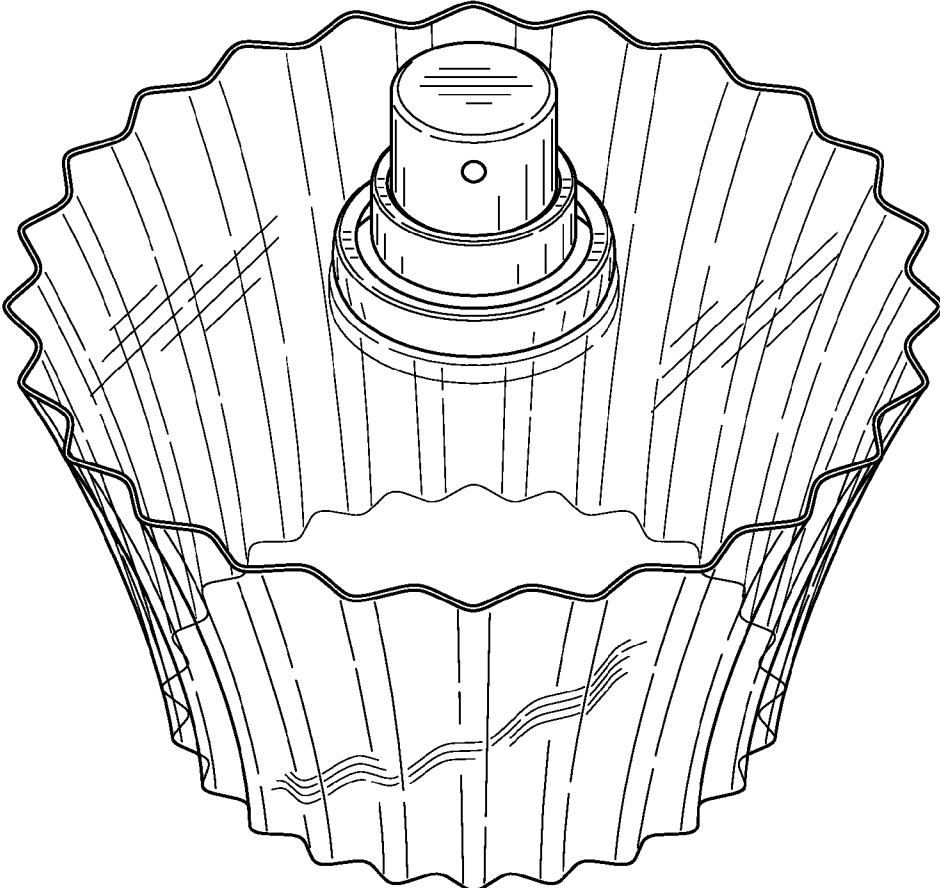


FIG. 1

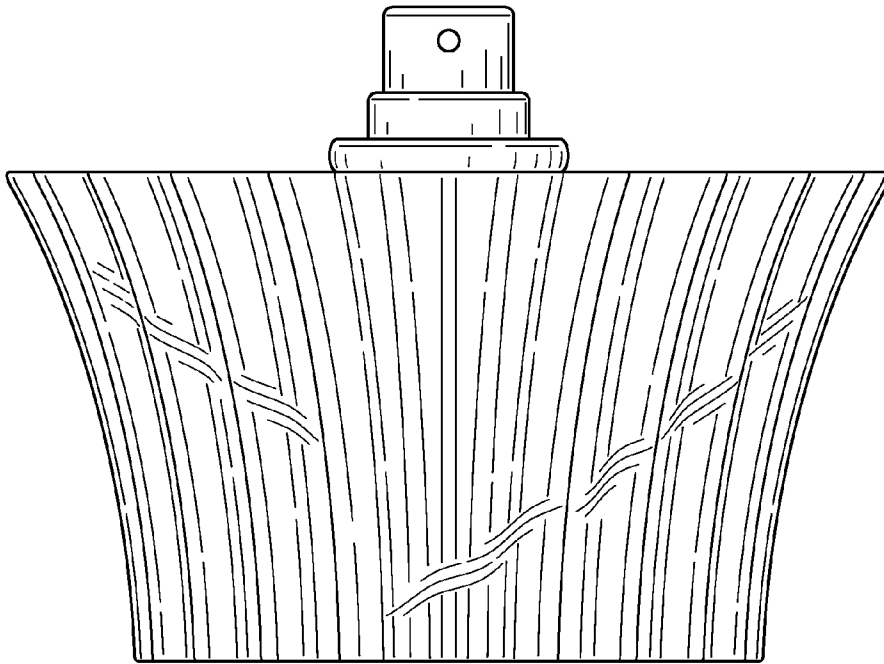


FIG. 2

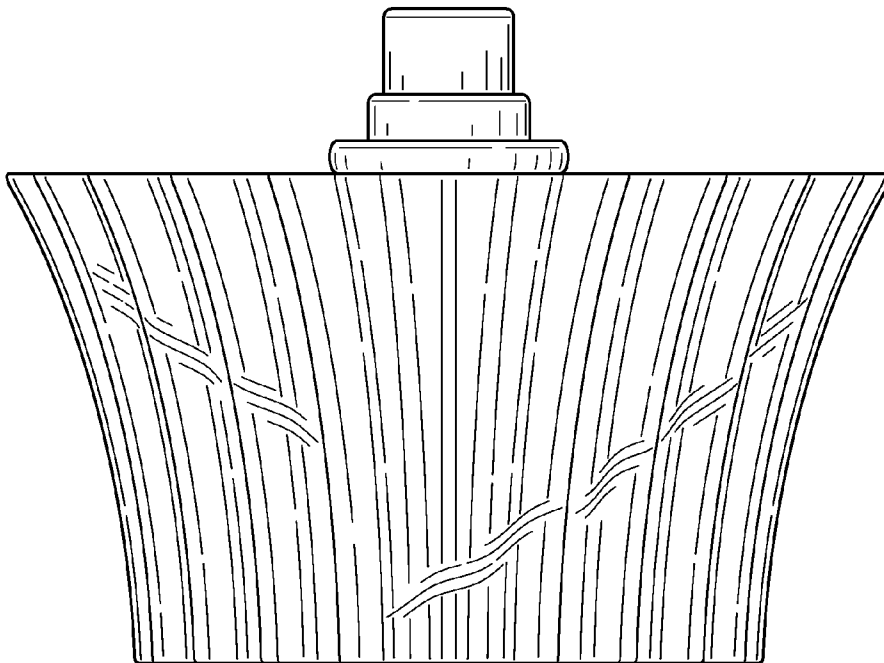


FIG. 3

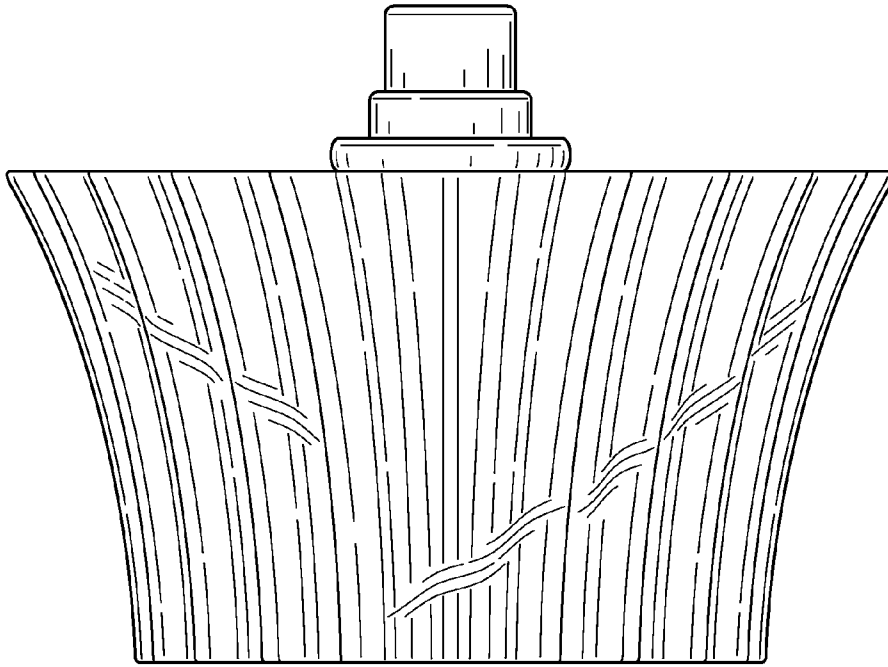


FIG. 4

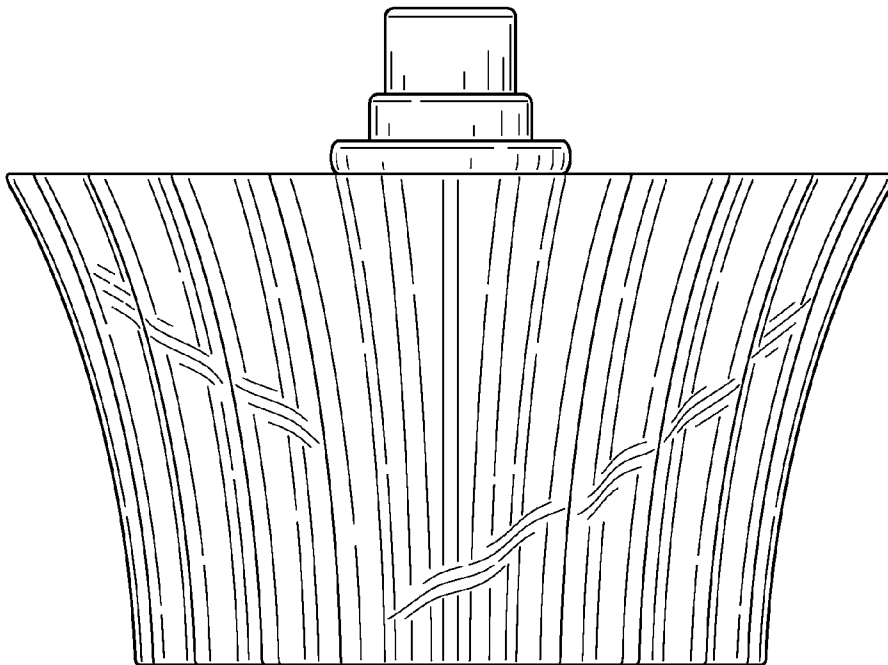


FIG. 5

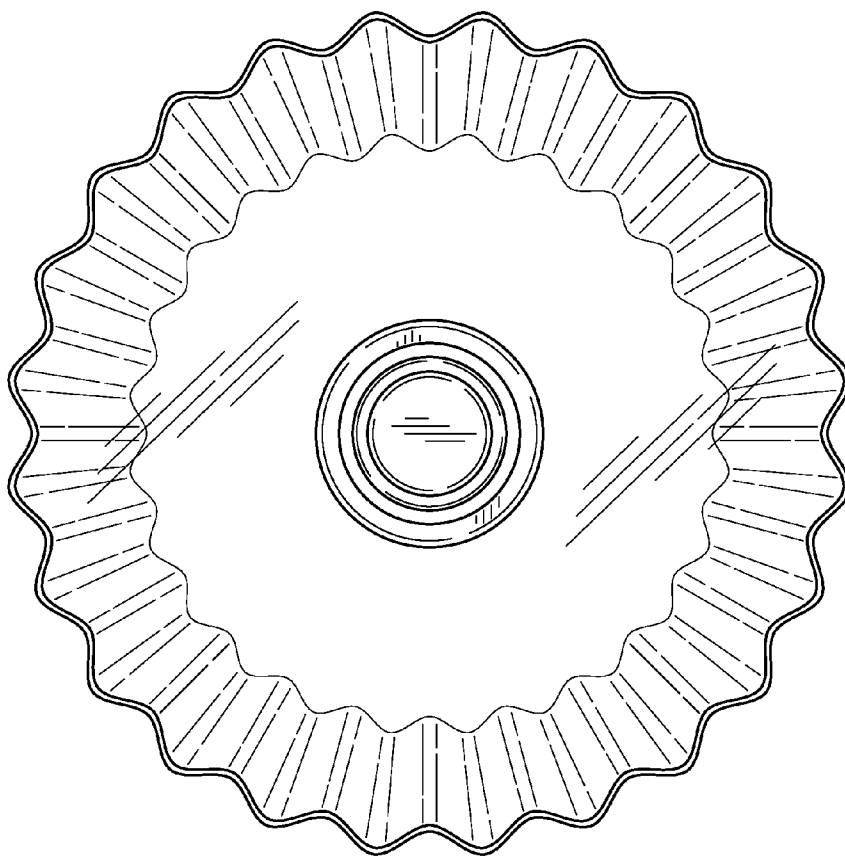


FIG. 6

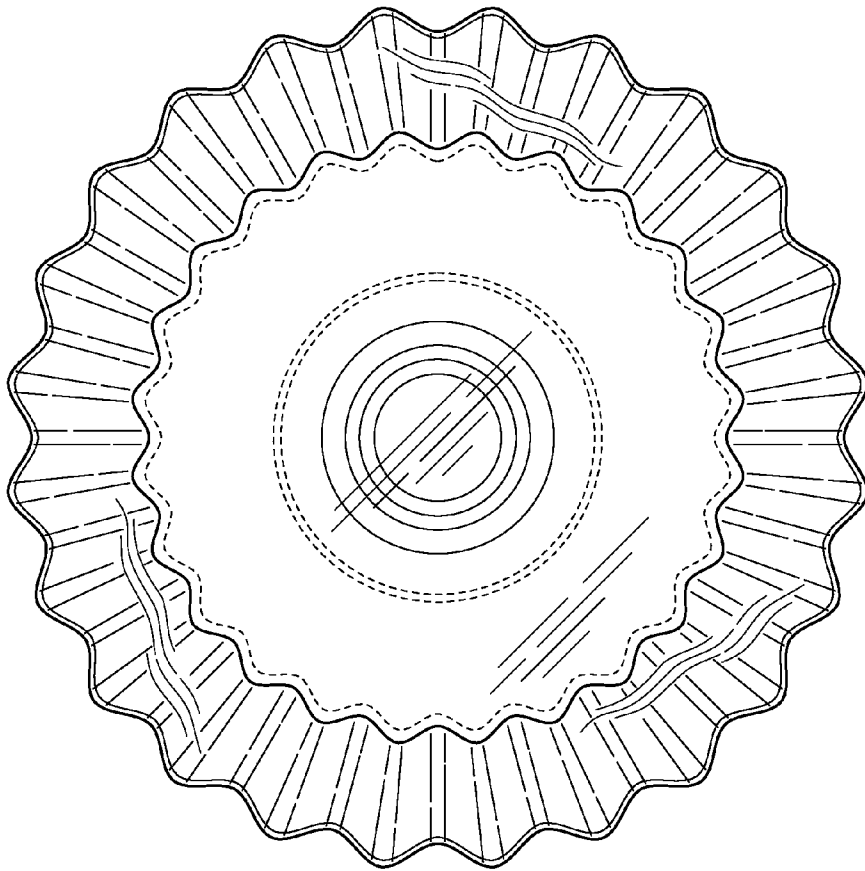


FIG. 7