



US00D768755S

(12) **United States Design Patent**
Thomas et al.

(10) **Patent No.:** US D768,755 S

(45) **Date of Patent:** ** Oct. 11, 2016

(54) **CAMERA MOUNT**

(71) Applicant: **GoPro, Inc.**, San Mateo, CA (US)

(72) Inventors: **Matthew D. Thomas**, Castro Valley, CA (US); **John George Muhlenkamp, IV**, Brisbane, CA (US)

(73) Assignee: **GoPro, Inc.**, San Mateo, CA (US)

(**) Term: **15 Years**

(21) Appl. No.: **29/532,009**

(22) Filed: **Jun. 30, 2015**

(51) **LOC (10) Cl.** **16-05**

(52) **U.S. Cl.**
USPC **D16/242**

(58) **Field of Classification Search**
USPC D16/206, 219, 235, 237-245, 250;
D14/251, 253; D8/107, 303, 354, 355,
D8/356, 363, 367, 373, 380, 383, 387, 394,
D8/396
CPC G03B 17/56; G03B 17/561-17/568;
G02B 7/00-7/002; H04N 5/2253-5/2254;
F16M 11/04-11/12
See application file for complete search history.

(56) **References Cited**

U.S. PATENT DOCUMENTS

D399,230 S * 10/1998 Tenne D16/237
D413,897 S * 9/1999 Richter D14/253
D483,789 S * 12/2003 Dordick D16/242

D506,493 S * 6/2005 Naito D13/133
D555,459 S * 11/2007 Goodwin, III D8/363
D589,998 S * 4/2009 Ollila D16/242
D649,576 S * 11/2011 Jannard D16/242
D675,242 S * 1/2013 O'Donnell D16/242
D685,838 S * 7/2013 Corticelli D16/242
D712,394 S * 9/2014 Booth D14/253
D754,116 S * 4/2016 O'Neill D14/252
D756,199 S * 5/2016 Carrubba D8/354
2015/0177597 A1 * 6/2015 Harrison G03B 17/561
396/419

* cited by examiner

Primary Examiner — Vy Koenig
(74) *Attorney, Agent, or Firm* — Fenwick & West LLP

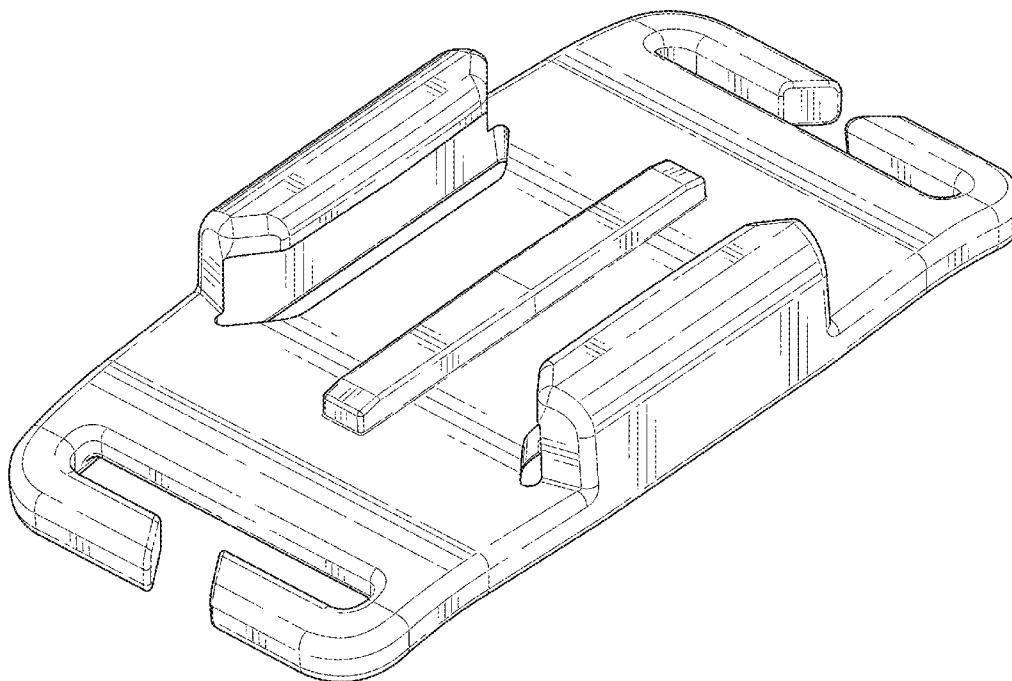
(57) **CLAIM**

The ornamental design for a camera mount, as shown and described.

DESCRIPTION

FIG. 1 is a front, top, and right side perspective view of a camera mount;
FIG. 2 is a front, bottom, and left side perspective view thereof;
FIG. 3 is a rear, top, and left side perspective view thereof;
FIG. 4 is a rear, bottom, and right side perspective view thereof;
FIG. 5 is a rear elevational view thereof;
FIG. 6 is a front elevational view thereof;
FIG. 7 is a left side elevational view thereof;
FIG. 8 is a right side elevational view thereof;
FIG. 9 is a top plan view thereof; and,
FIG. 10 is a bottom plan view thereof.

1 Claim, 10 Drawing Sheets



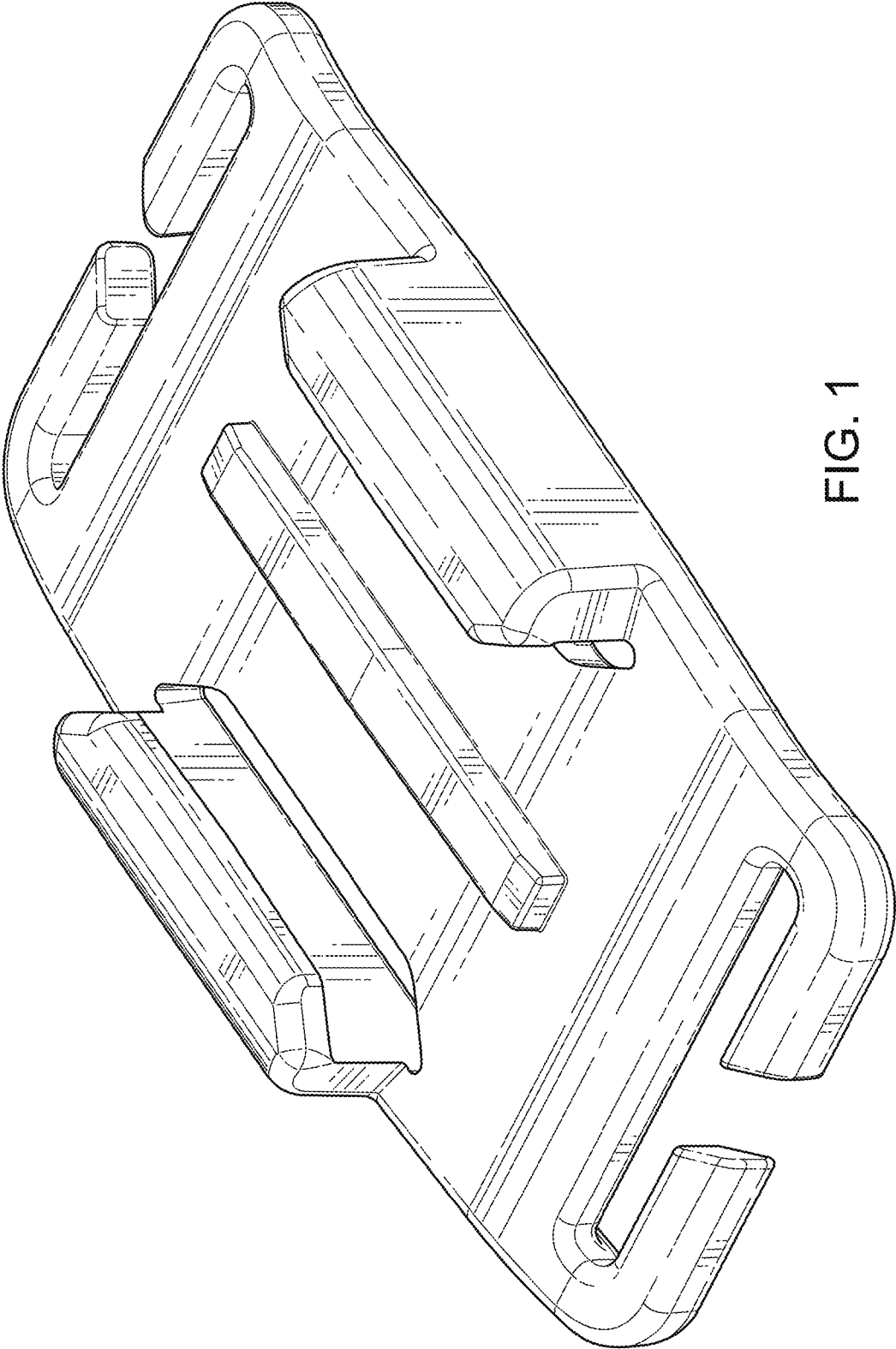


FIG. 1

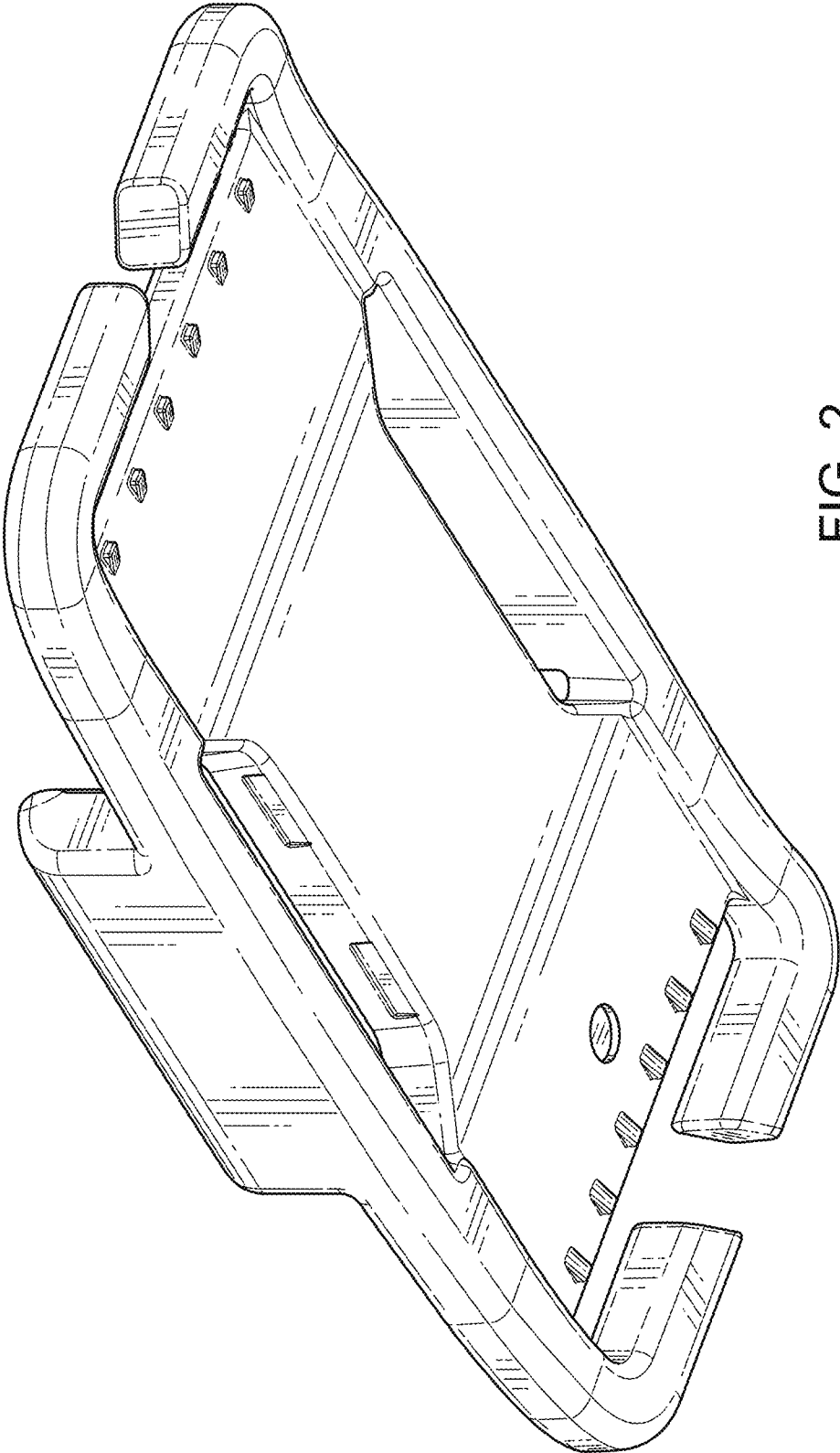


FIG. 2

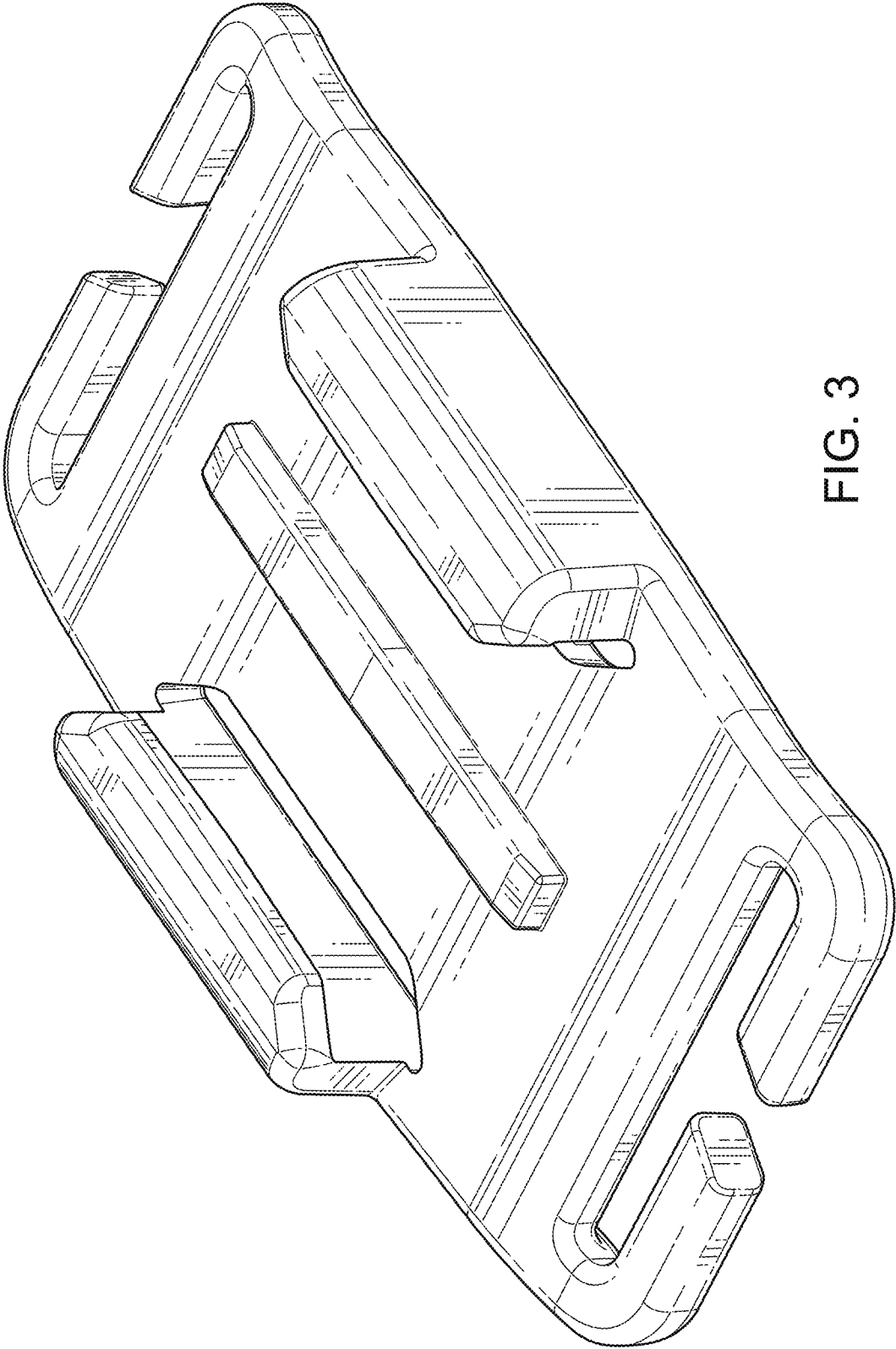


FIG. 3

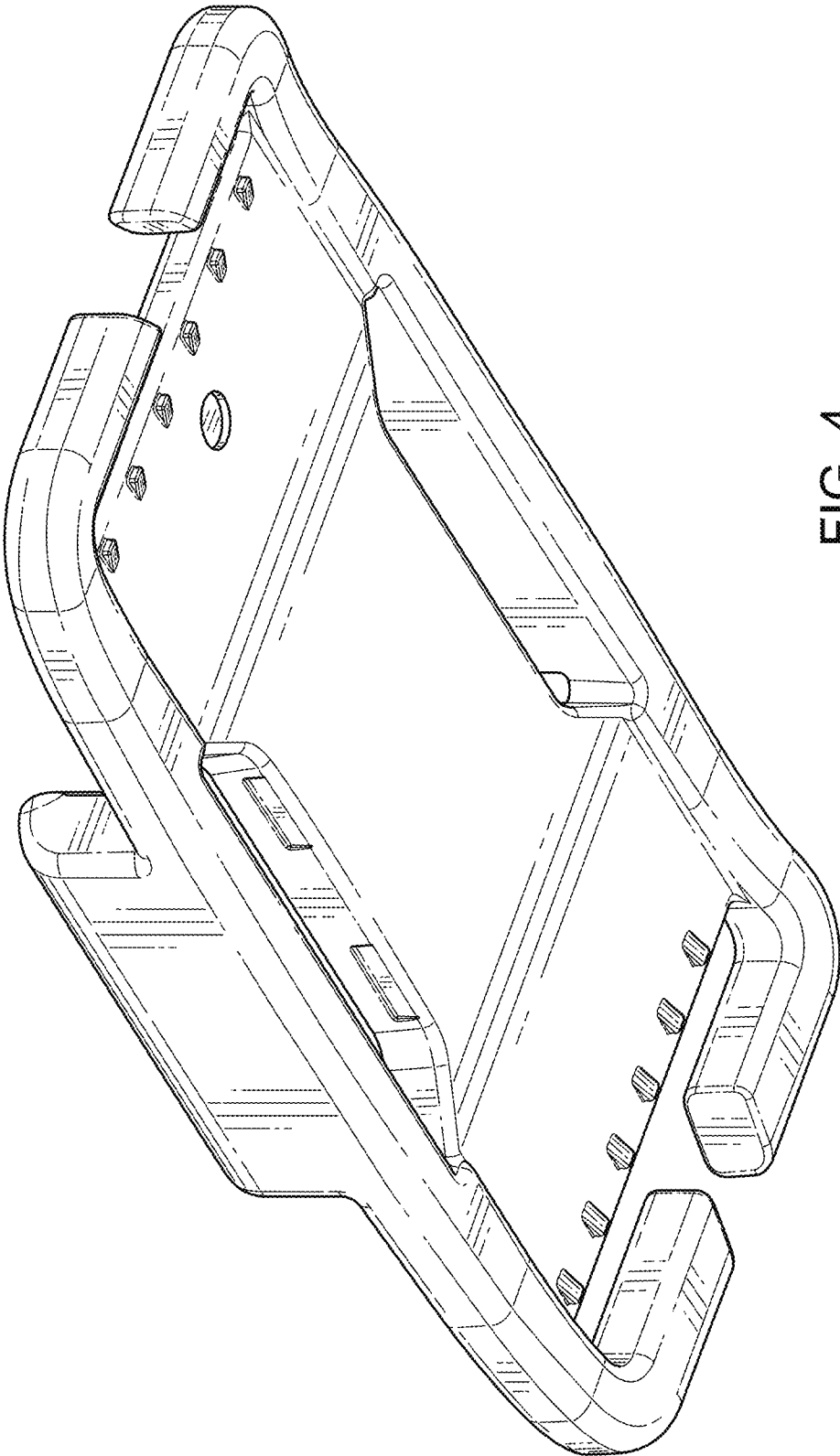


FIG. 4

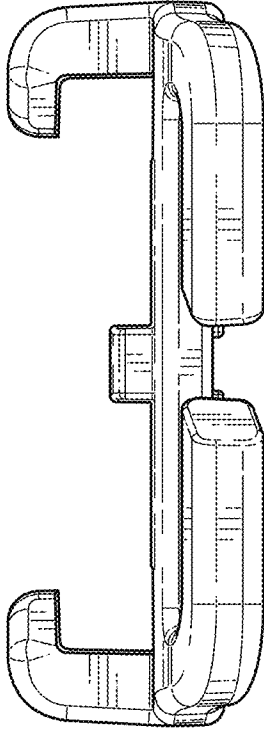


FIG. 5

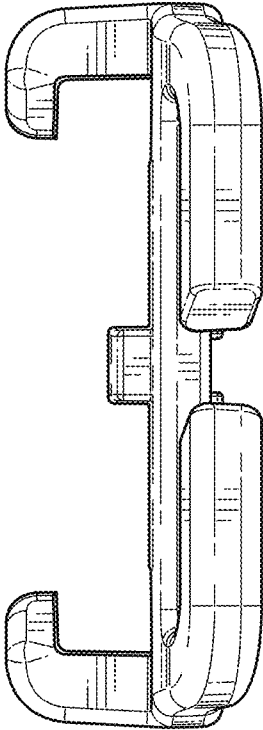


FIG. 6

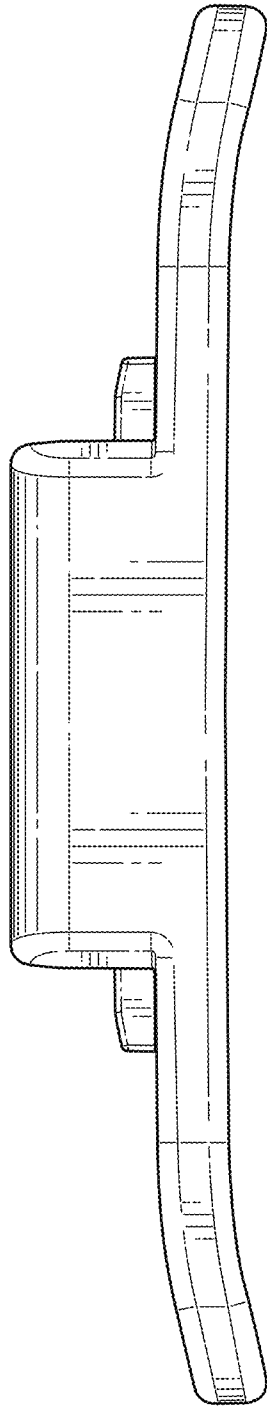


FIG. 7

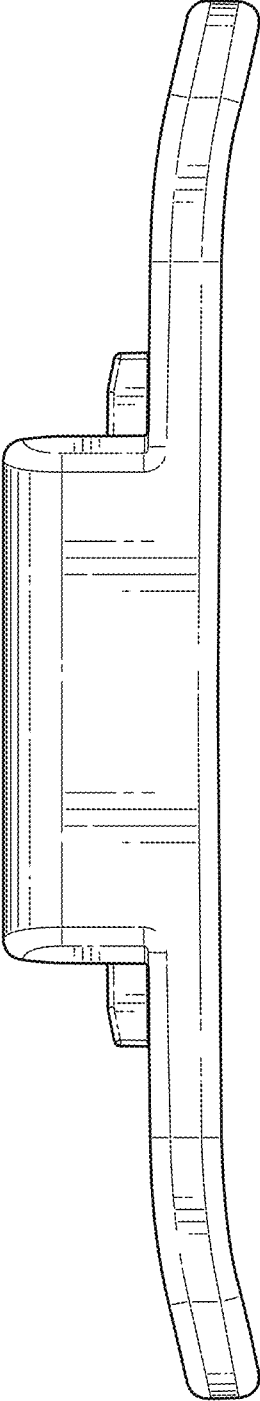


FIG. 8

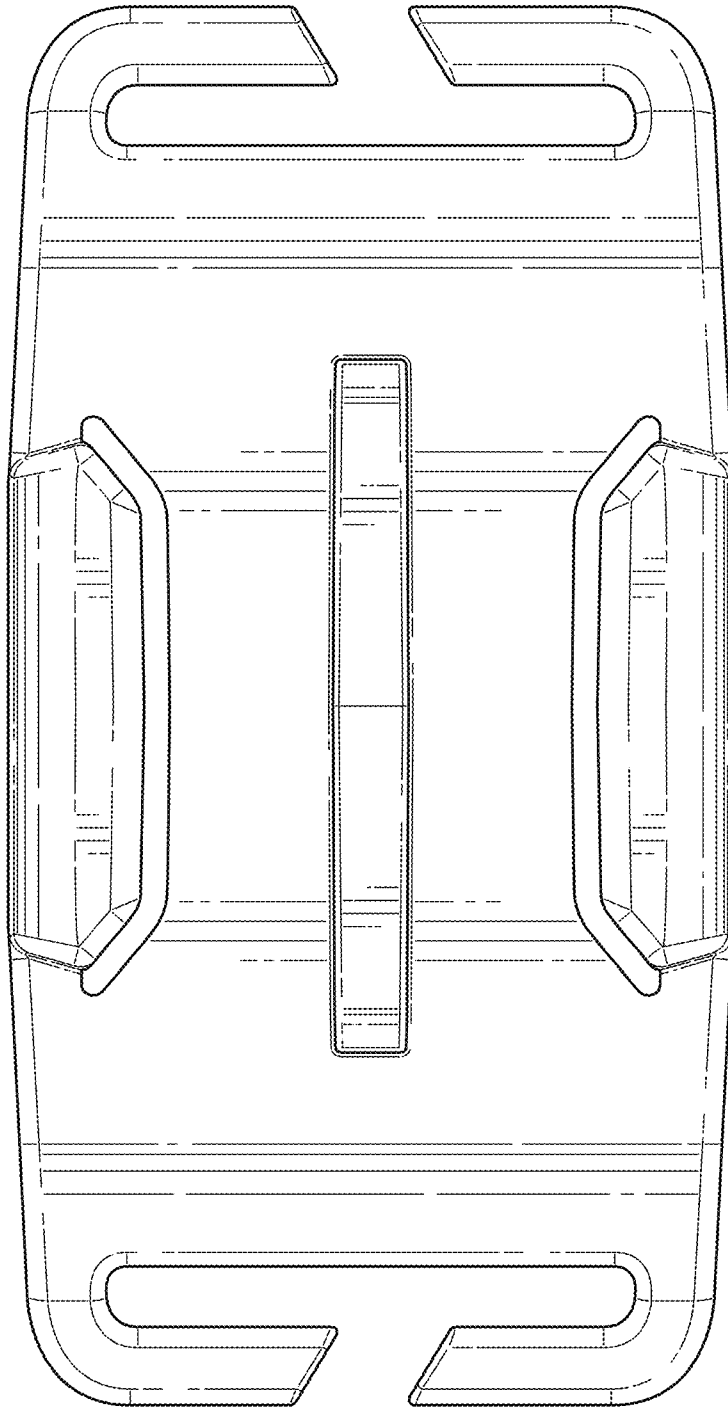


FIG. 9

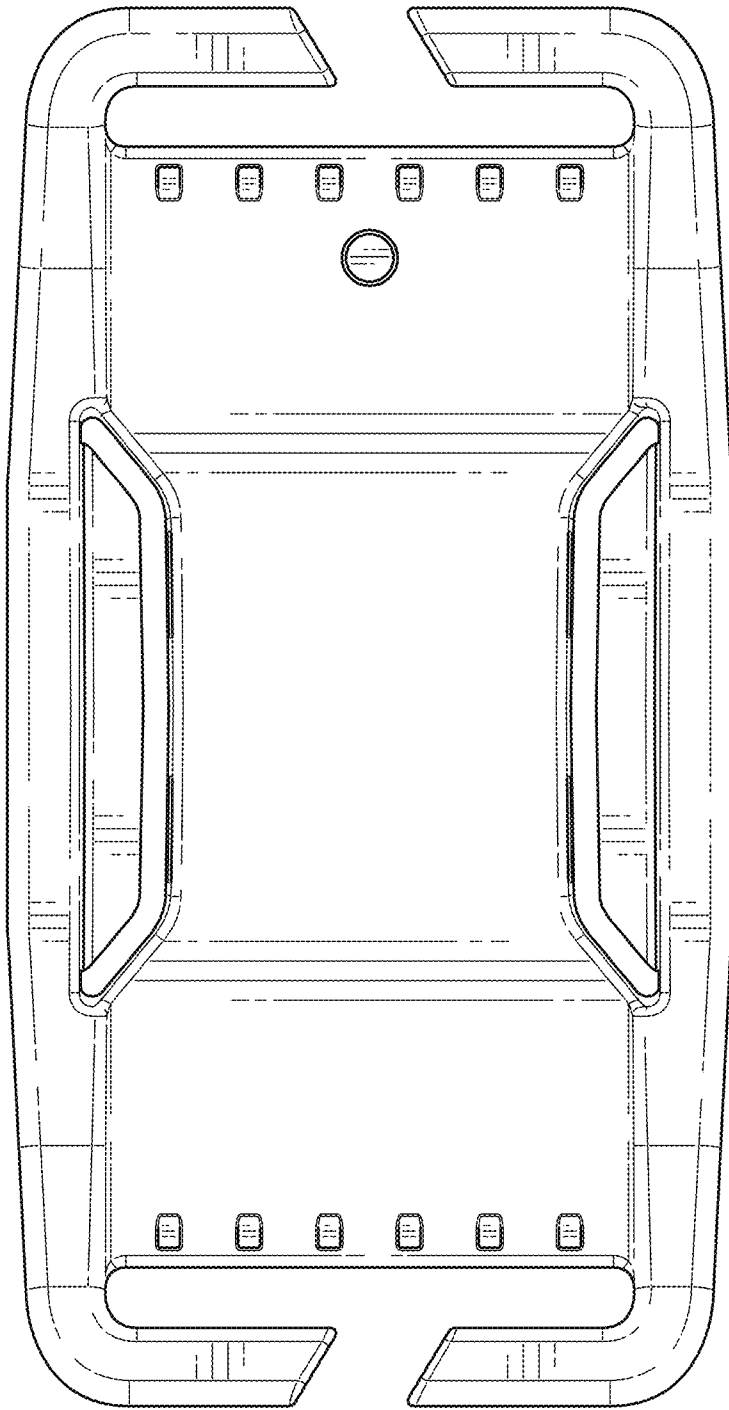


FIG. 10