



US00D921406S

(12) **United States Design Patent** (10) **Patent No.:** **US D921,406 S**  
**Leng** (45) **Date of Patent:** **\*\* Jun. 8, 2021**

(54) **EDGE OF A TABLE TOP**

OTHER PUBLICATIONS

(71) Applicant: **NEW-TEC INTEGRATION (XIAMEN) CO., LTD**, Fujian (CN)

U.S. Appl. No. 16/397,129, Pending.  
U.S. Appl. No. 29/687,480, Pending.

(72) Inventor: **Luhao Leng**, Fujian (CN)

*Primary Examiner* — Mary Ann Calabrese  
*Assistant Examiner* — Catherine Ho

(73) Assignee: **NEW-TEC INTEGRATION (XIAMEN) CO., LTD**, Fujian (CN)

(74) *Attorney, Agent, or Firm* — Perkins Coie LLP;  
Kenneth H. Ohriner

(\*\*) Term: **15 Years**

(21) Appl. No.: **29/687,475**

(57) **CLAIM**

(22) Filed: **Apr. 12, 2019**

The ornamental design for the edge of a table top, as shown and described.

(51) **LOC (13) Cl.** ..... **06-06**

(52) **U.S. Cl.**  
USPC ..... **D6/707.24**

(58) **Field of Classification Search**

USPC ..... D6/641, 657, 685, 686, 689, 690, 691, D6/691.1, 691.2, 691.3, 691.4, 691.5, D6/691.6, 691.7, 691.8, 691.9, 699, D6/699.1, 699.2, 699.3, 699.4, 699.5, D6/702, 707, 707.15, 707.19, 707.23, D6/707.24, 707.26, 708, 709, 709.17, D6/709.2, 709.21, 709.22, 7, 11; D21/397, 783, 799.2  
CPC .. A47B 37/00; A47B 3/00; A47B 1/00; A47B 3/06; A47B 3/08; A47B 7/00; A47B 21/00; A47B 23/00; A47B 25/00; A47B 13/08; A47B 3/083; A47B 3/14; A47B 41/00; A47B 17/00; A47B 3/0809; A47B 3/0812; A47B 2013/026; A47B 2200/03; A47B 2200/00; A47B 2003/0821; A47C 3/045

See application file for complete search history.

(56) **References Cited**

U.S. PATENT DOCUMENTS

2,846,283 A 8/1958 Pasewalk  
3,115,108 A 12/1963 Craddock  
3,439,634 A 4/1969 Bender  
5,947,037 A 9/1999 Hornberger

(Continued)

**DESCRIPTION**

FIG. 1 is a top perspective view of the first embodiment of an edge of a table top showing my new design.

FIG. 2 is a fragmentary top perspective cross sectional view along lines 2-2 of FIG. 1.

FIG. 3 is a fragmentary bottom perspective view of the edge of a table top as shown in FIG. 2.

FIG. 4 is side view of the edge of a table top as shown in FIG. 2.

FIG. 5 is a top perspective view of the second embodiment of an edge of a table top showing my new design.

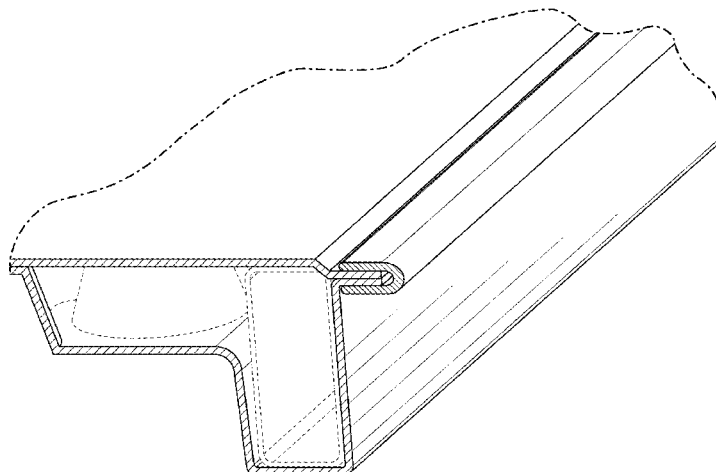
FIG. 6 is a fragmentary top perspective cross sectional view along lines 6-6 of FIG. 5.

FIG. 7 is a fragmentary bottom perspective view of the edge of a table top as shown in FIG. 6; and,

FIG. 8 is side view of the edge of a table top as shown in FIG. 6.

The broken line portion of the figure drawings is included to show portions of the article that forms no part of the claimed design. The dash-dot broken line portion of the figure drawings define the bounds of the claimed design and form no part thereof.

**1 Claim, 8 Drawing Sheets**



# US D921,406 S

(56)

**References Cited**

U.S. PATENT DOCUMENTS

6,214,436 B1 *	4/2001	Catta	.....	A47B 95/043	108/27	8,943,982 B2 *	2/2015	Peery	.....	A47B 3/002
										108/91
7,178,471 B2 *	2/2007	Strong	.....	A47B 3/087	108/129	D727,074 S *	4/2015	Johnson	.....	D6/707.24
						8,997,663 B2 *	4/2015	Peery	.....	A47B 3/00
8,033,228 B2 *	10/2011	Haney	.....	A47B 13/08	108/132					108/132
D658,912 S *	5/2012	Winter	.....	A47B 3/00	D6/707.24	9,138,050 B2 *	9/2015	Peery	.....	A47B 3/091
						9,192,229 B2 *	11/2015	Peery	.....	A47B 13/08
D659,450 S *	5/2012	Winter	.....	A47B 3/00	D6/707.24	9,504,314 B2	11/2016	Leng		
						9,549,612 B2 *	1/2017	Peery	.....	A47B 87/02
D662,738 S *	7/2012	Winter	.....	A47B 3/00	D6/707.24	9,661,916 B2 *	5/2017	Peery	.....	A47B 3/002
						9,808,081 B2	11/2017	Leng		
D667,659 S *	9/2012	Winter	.....	A47B 3/00	D6/707.22	9,867,458 B2	1/2018	Leng		
						10,092,091 B1	10/2018	Wang		
8,397,652 B2 *	3/2013	Peery	.....	A47B 3/091	108/91	2005/0284562 A1	12/2005	Frantz		
						2009/0324872 A1	12/2009	Leng		
8,408,146 B2 *	4/2013	Peery	.....	A47B 7/02	108/132	2013/0025507 A1 *	1/2013	Jin	.....	A47B 3/087
										108/129
D696,882 S *	1/2014	Clegg	.....	D6/707.24		2013/0025508 A1	1/2013	Leng		
8,757,069 B2 *	6/2014	Peery	.....	A47B 3/0912	108/132	2014/0037910 A1	2/2014	Leng		
						2016/0051049 A1	2/2016	Peery		
						2018/0064242 A1	3/2018	Tsai		
						2019/0021484 A1	1/2019	Leng		

\* cited by examiner

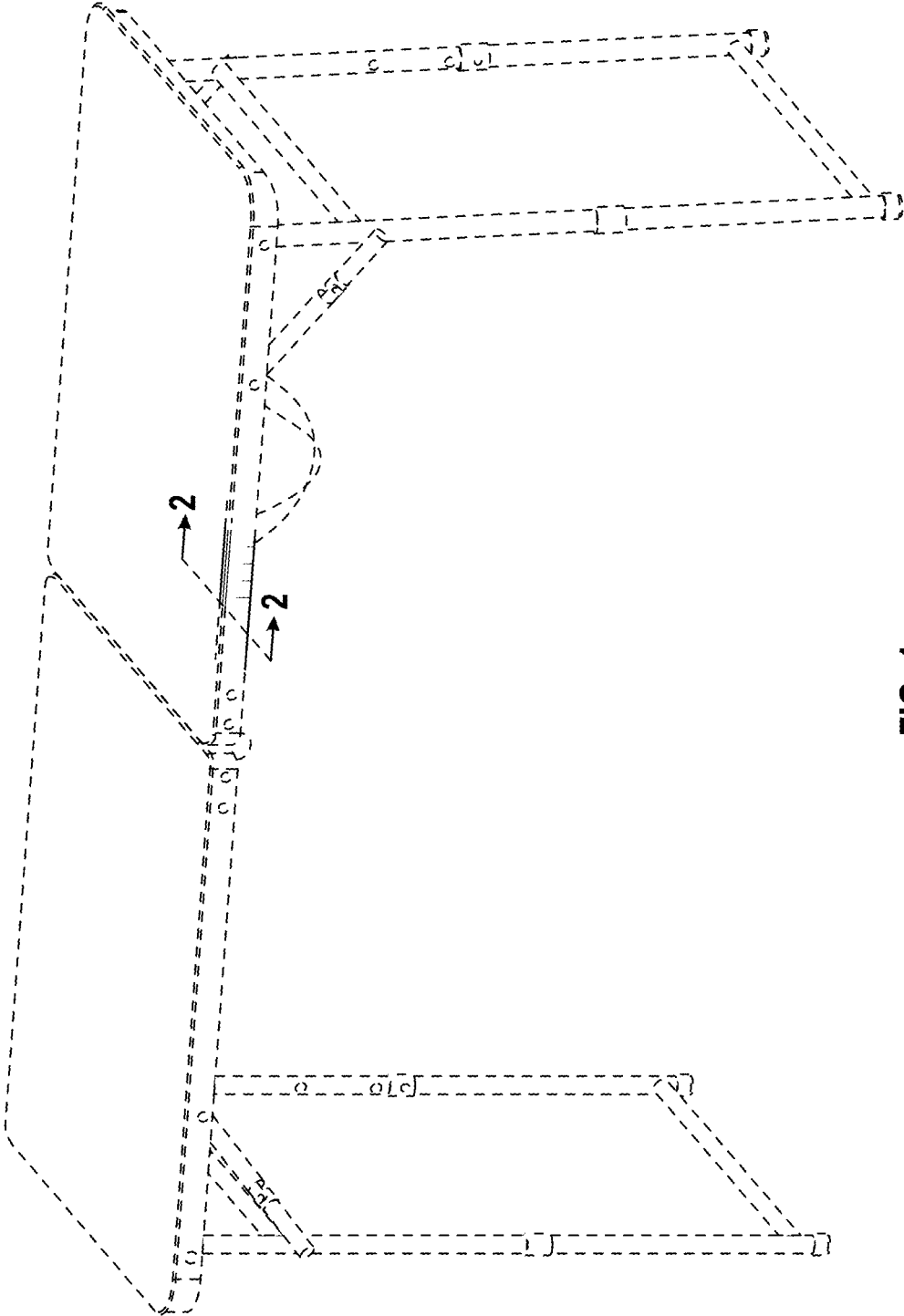


FIG. 1

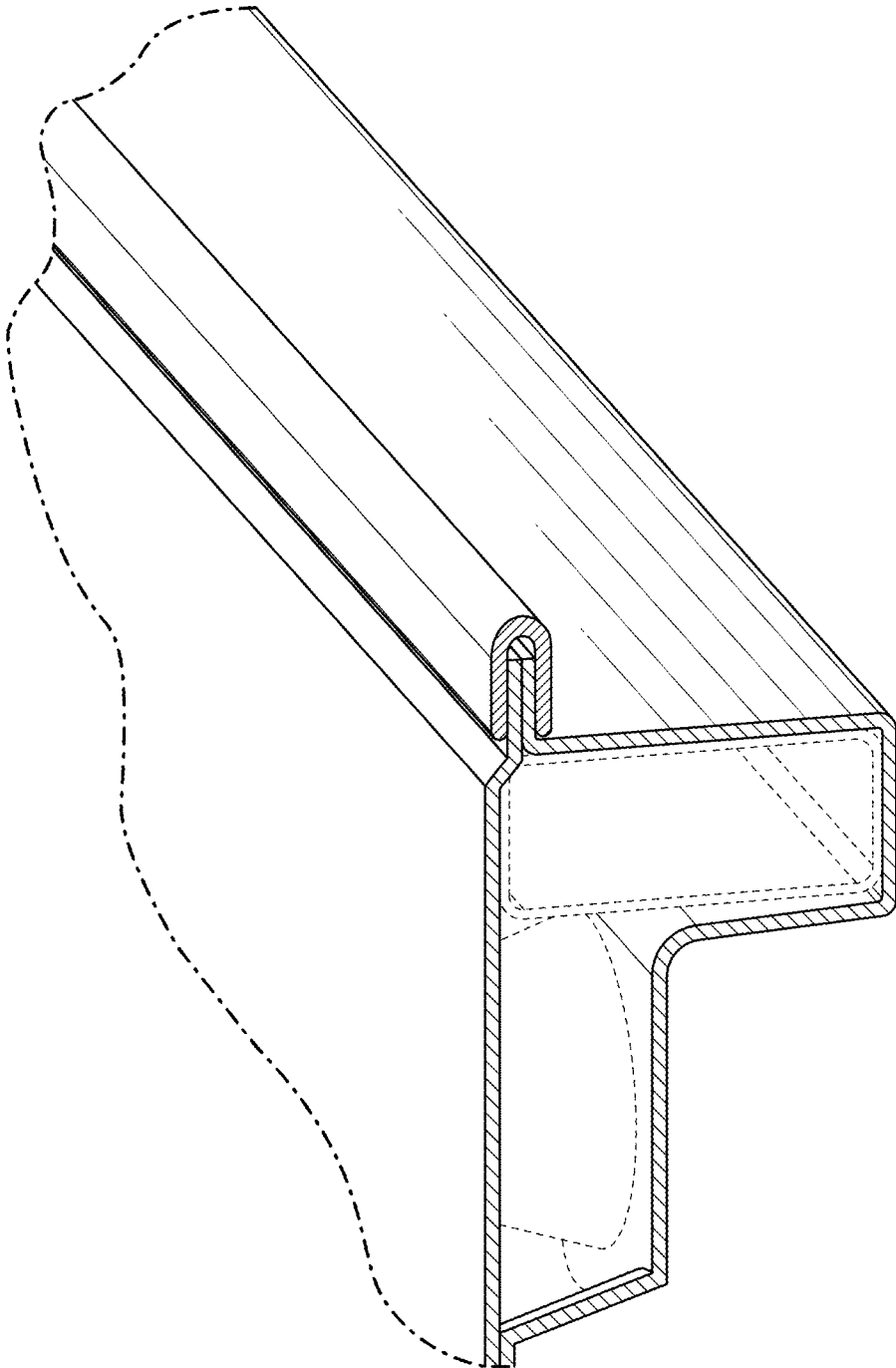


FIG. 2

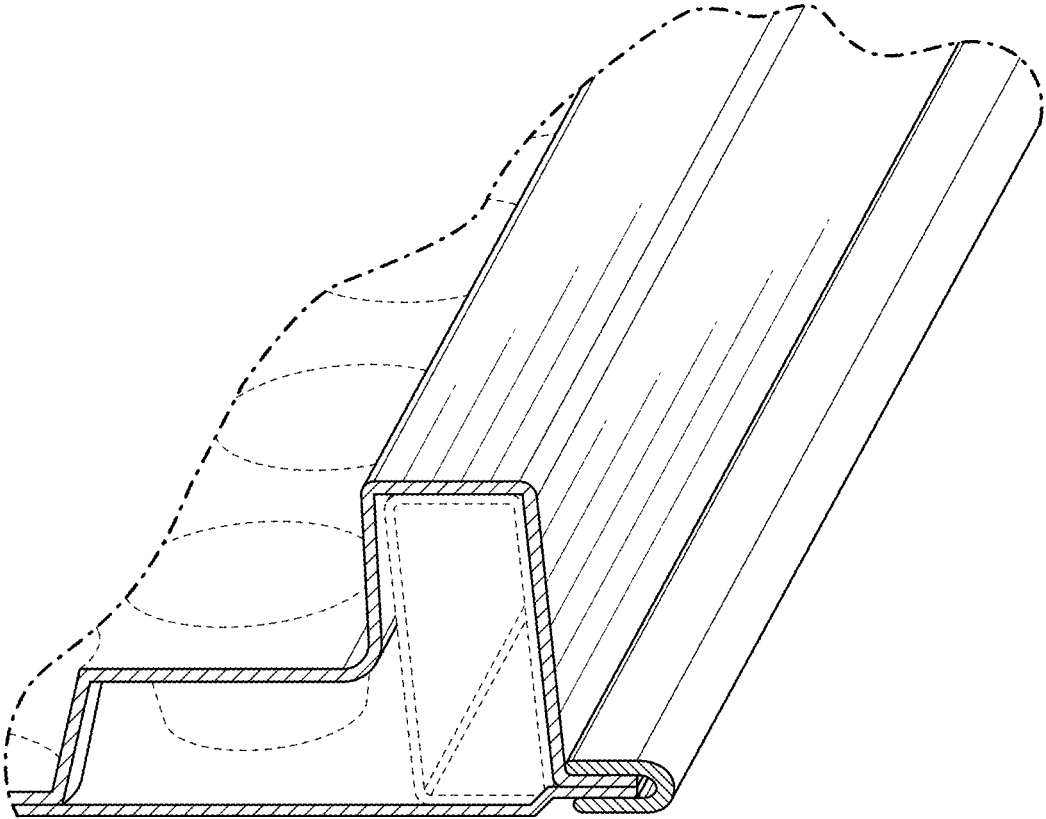


FIG. 3

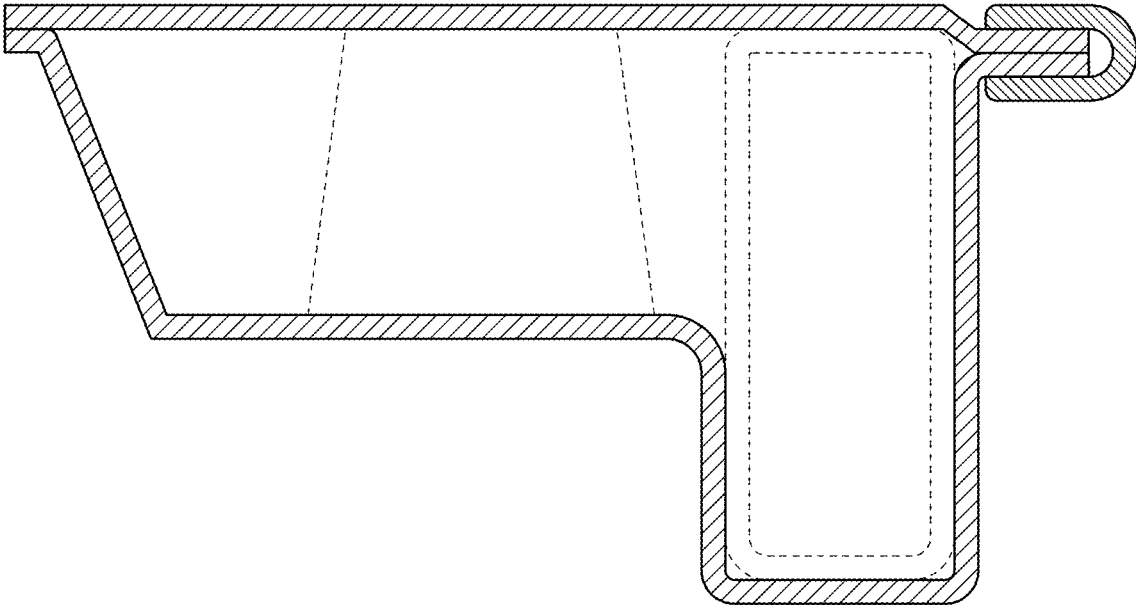


FIG. 4

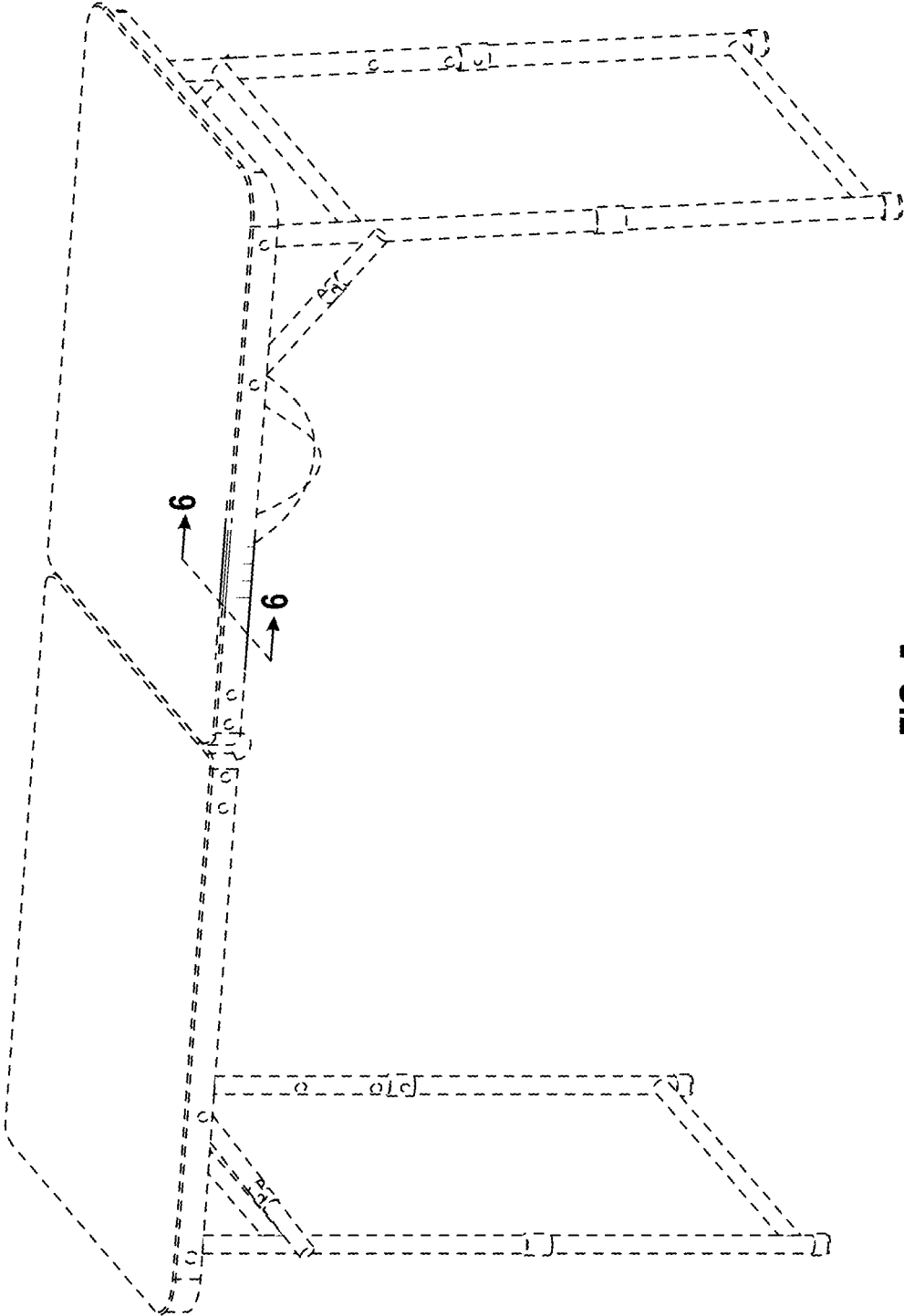


FIG. 5

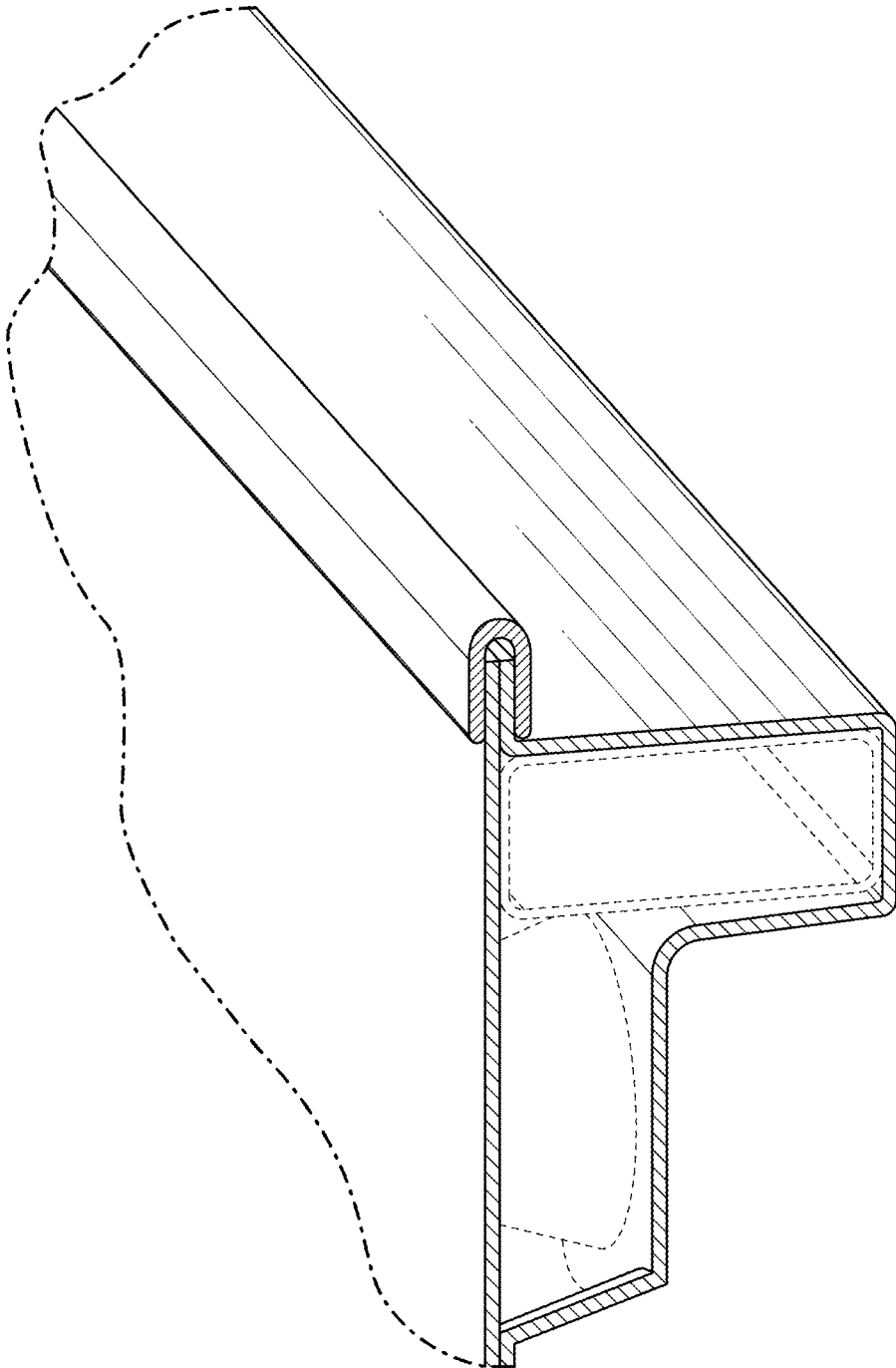


FIG. 6



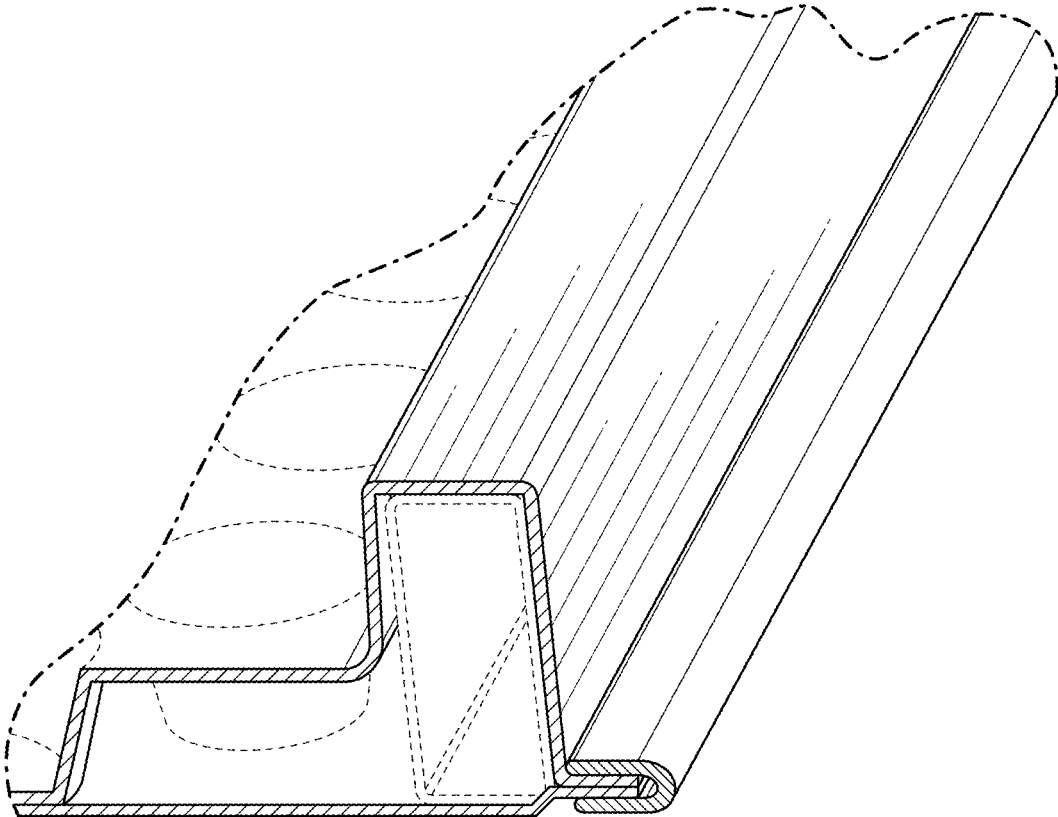


FIG. 7

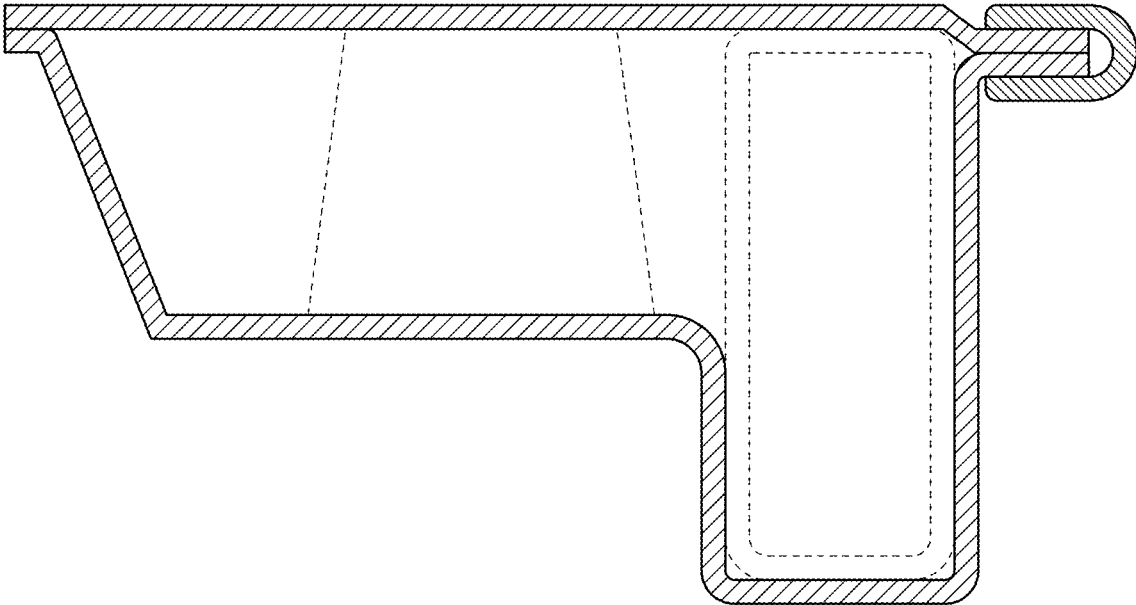


FIG. 8