



US0D1019636S

(12) **United States Design Patent**
Tao

(10) **Patent No.:** **US D1,019,636 S**

(45) **Date of Patent:** **** Mar. 26, 2024**

(54) **FOLDABLE DISPLAY**

(71) Applicant: **Shenzhen Youyuan Technology Co., Ltd.**, Shenzhen (CN)

(72) Inventor: **Qiang Tao**, Langfang (CN)

(73) Assignee: **Shenzhen Youyuan Technology Co., Ltd.**, Shenzhen (CN)

(**) Term: **15 Years**

(21) Appl. No.: **29/906,237**

(22) Filed: **Nov. 2, 2023**

(51) **LOC (14) Cl.** **14-02**

(52) **U.S. Cl.**
USPC **D14/375**

(58) **Field of Classification Search**
USPC D14/126, 128, 138 AB, 159, 239, 305,
D14/307, 336, 371, 374, 375, 376, 496;
D19/113; D20/10

CPC G06F 1/1601; G06F 1/605; G06F 1/607;
G06F 1/1637; G06F 1/1642; G06F 1/182;
G06F 1/12; G06F 2200/1612; G06F
3/0421; G06F 3/0428; G06F 3/0488

See application file for complete search history.

(56) **References Cited**

U.S. PATENT DOCUMENTS

D661,671 S *	6/2012	Laube	D14/126
D661,672 S *	6/2012	Kim	D14/126
D753,618 S *	4/2016	Ryu	D14/126
D755,292 S *	5/2016	Sirotych	D19/113
D772,829 S *	11/2016	Han	D14/126
D772,833 S *	11/2016	Han	D14/126
D812,028 S *	3/2018	Kim	D14/126
D816,630 S *	5/2018	Lee	D14/126
D847,111 S *	4/2019	Won	D14/126
D874,466 S *	2/2020	Lei	D14/440

D930,604 S *	9/2021	Pyo	D14/126
D932,546 S *	10/2021	Wang	D19/113
D947,844 S	4/2022	Lee		

(Continued)

FOREIGN PATENT DOCUMENTS

GB 6321895 * 11/2023

OTHER PUBLICATIONS

High Quality Foldable 15.8 Inch Monitor Portable Monitor 60HZ Full HD 1080P LCD Screen Monitors For Laptops Gaming, www.alibaba.com, May 23, 2019. https://www.alibaba.com/product-detail/High-Quality-Foldable-15-8-Inch_1600522630247.html (Year: 2019).*

(Continued)

Primary Examiner — Messina L Smith
Assistant Examiner — Kwabena A. Ankobiah

(57) **CLAIM**

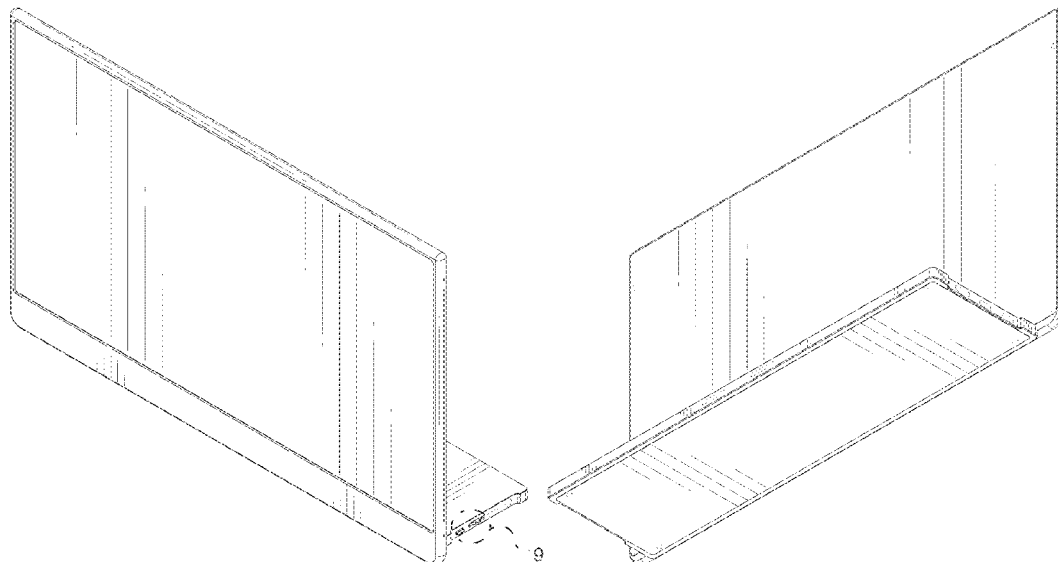
The ornamental design for a foldable display, as shown and described.

DESCRIPTION

FIG. 1 is a front perspective view of a foldable display, showing my new design;
FIG. 2 is a rear perspective view thereof;
FIG. 3 is a front view thereof;
FIG. 4 is a rear view thereof;
FIG. 5 is a left side view thereof;
FIG. 6 is a right side view thereof;
FIG. 7 is a top view thereof;
FIG. 8 is a bottom view thereof; and,
FIG. 9 is an enlarged detailed view thereof, taken from circled portion 9 in FIG. 1.

The broken lines in the drawings illustrate portions of the foldable display and form no part of the claimed design. The dash-dot-dash broken lines encircling portions of the foldable display in FIGS. 1 and 9 are included to show an enlarged view only and form no part of the claimed design.

1 Claim, 9 Drawing Sheets



(56)

References Cited

U.S. PATENT DOCUMENTS

D954,148 S * 6/2022 Stockwell D20/10
D994,658 S * 8/2023 Obrecht D14/307

OTHER PUBLICATIONS

GeChic On-Lap M505E-R4 Portable Monitor 15.6 inch FHD Gaming Monitor with HDMI in/HDMI Out/USB Type-C Ports, www.amazon.com.au, Jan. 25, 2021. <https://www.amazon.com.au/M505E-R4-Portable-Compatible-Nintendo-External/dp/B08L6C7VNW> (Year: 2021).*

14 Inch Portable Monitor 1920*1080 HDMI USB C w/VESA Computer Display 100% sRGB, www.ebay.com, Aug. 25, 2023. <https://www.ebay.com.au/itm/175871279121> (Year: 2023).*

* cited by examiner

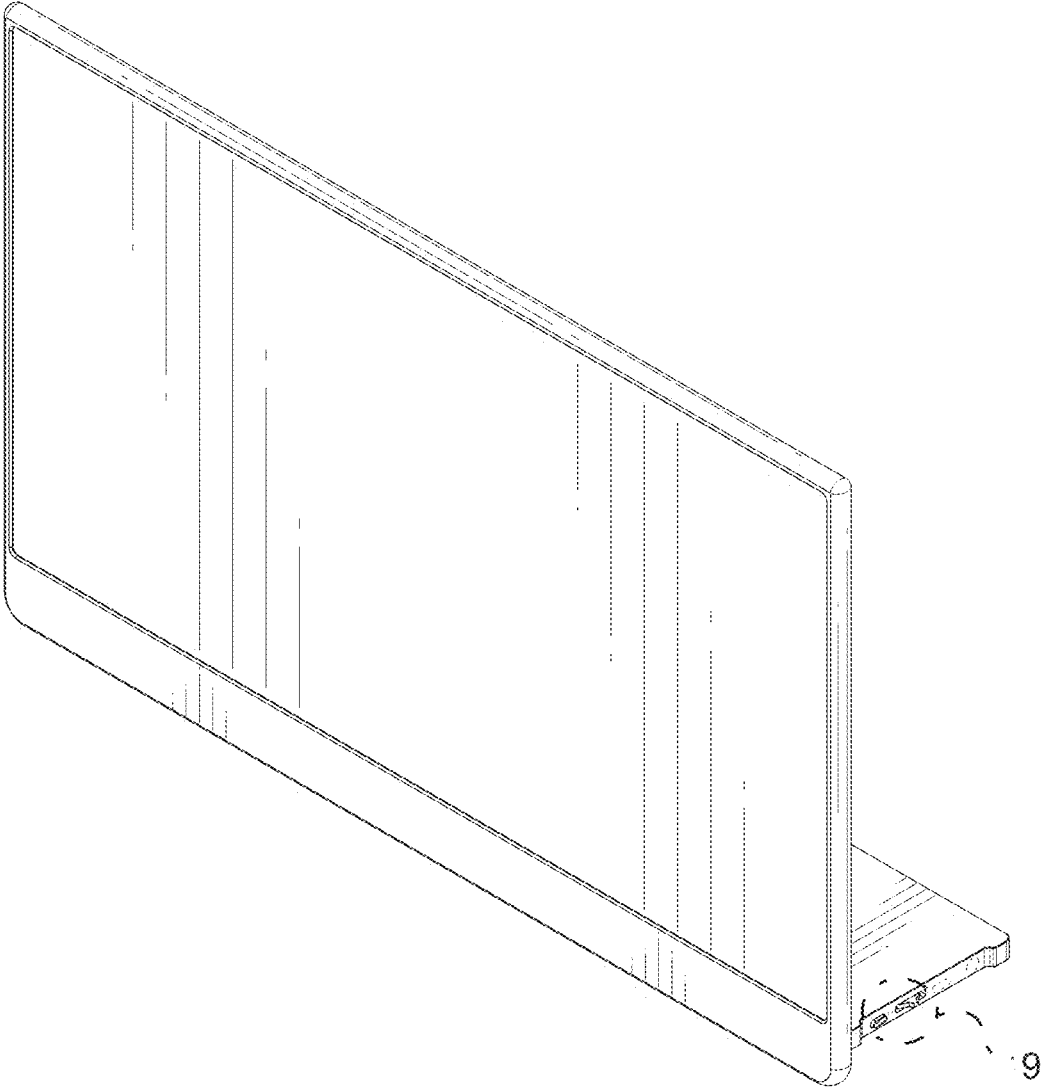


FIG. 1

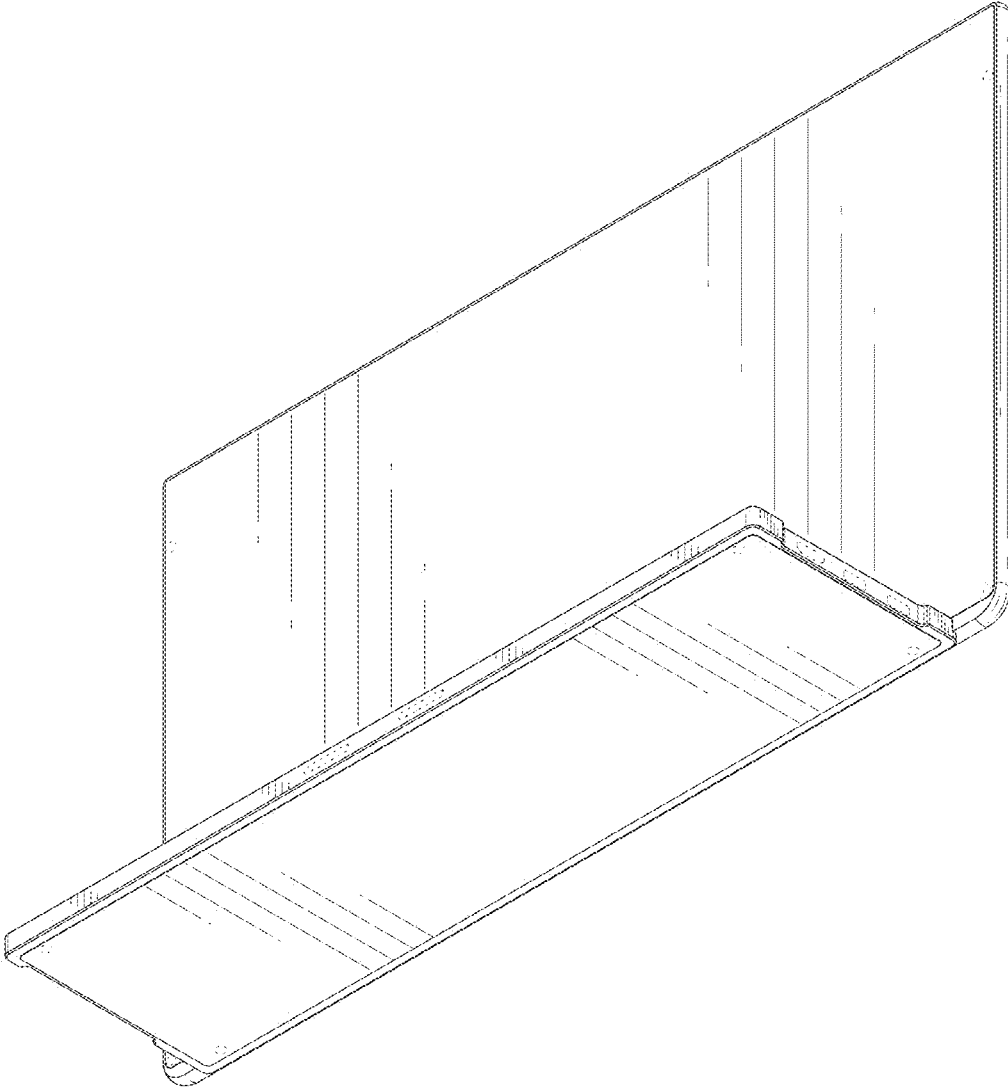


FIG. 2

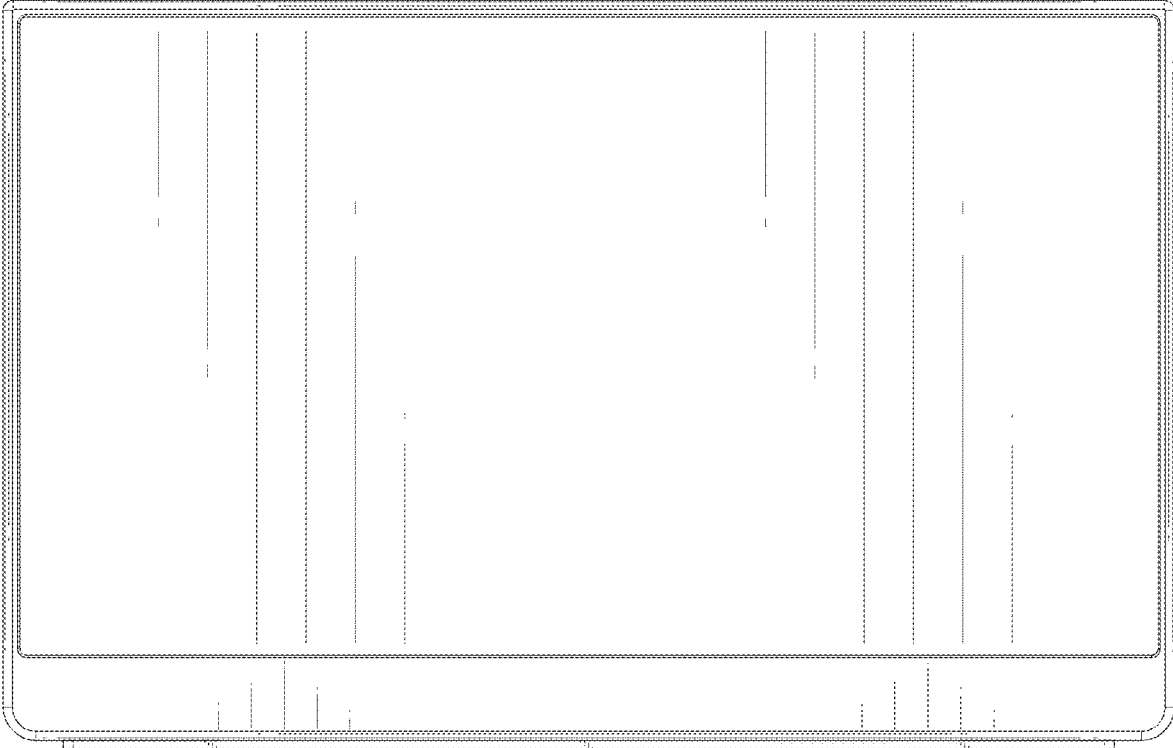


FIG. 3

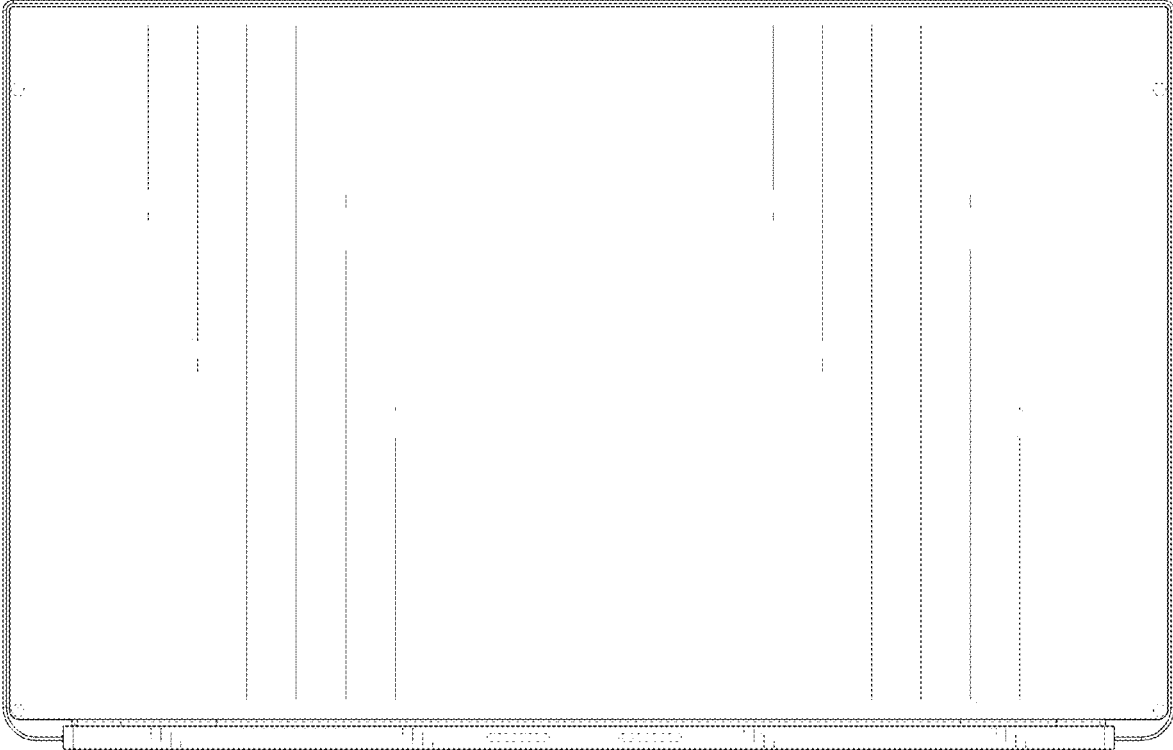


FIG. 4

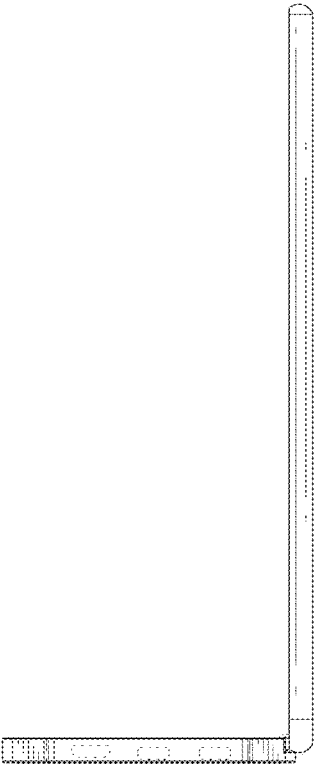


FIG. 5



FIG. 6

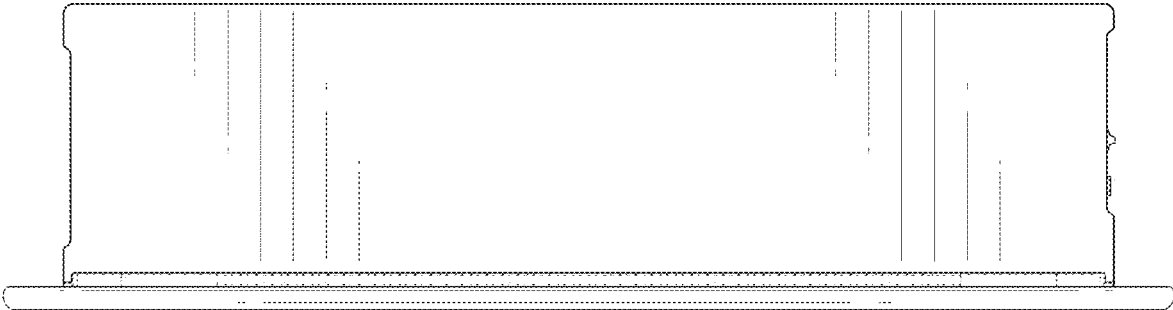


FIG. 7

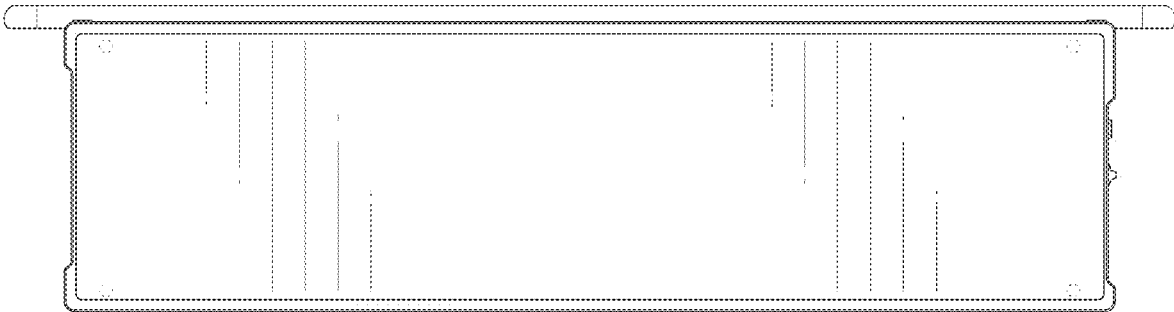


FIG. 8

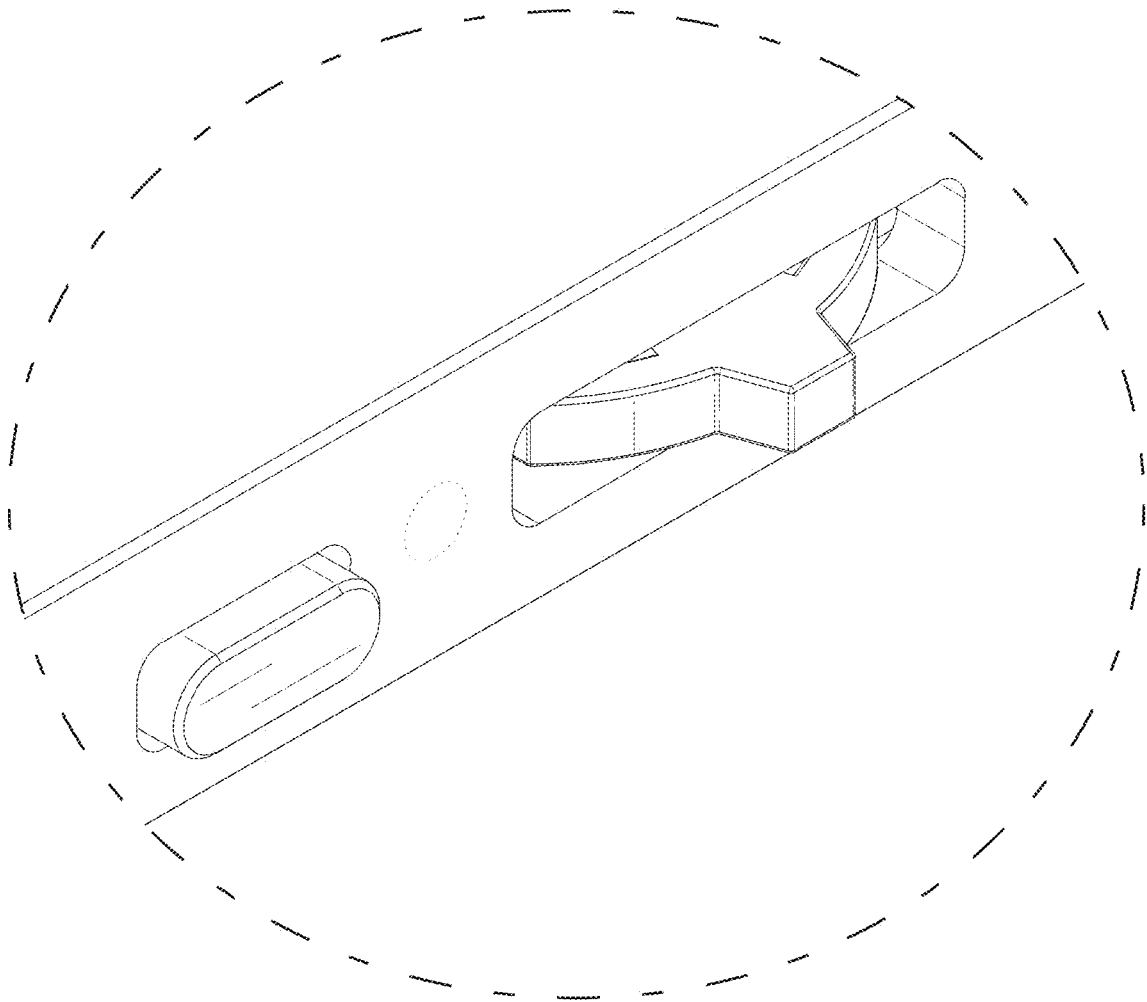


FIG. 9