



US00D957269S

(12) **United States Design Patent**
Laucella

(10) **Patent No.:** **US D957,269 S**

(45) **Date of Patent:** **** Jul. 12, 2022**

(54) **WATCH CASE**

(71) Applicant: **Montres Breguet SA (Montres Breguet AG) (Montres Breguet Ltd), L'Abbaye (CH)**

(72) Inventor: **Vincenzo Laucella, Le Brassus (CH)**

(73) Assignee: **MONTRES BREGUET SA (MONTRES BREGUET AG) (MONTRES BREGUET LTD), L'Abbaye (CH)**

(**) Term: **15 Years**

(21) Appl. No.: **29/740,813**

(22) Filed: **Jul. 7, 2020**

(30) **Foreign Application Priority Data**

Jan. 9, 2020 (WO) WIPO90948

(51) **LOC (13) Cl.** **10-02**

(52) **U.S. Cl.**
USPC **D10/39**

(58) **Field of Classification Search**

USPC D10/30-39, 126-129, 131-132
CPC G04B 19/00; G04B 19/02; G04B 19/025;
G04B 19/04; G04B 19/042; G04B 19/06;
G04B 19/065; G04B 19/08; G04B 19/085; G04B 19/087; G04B 19/10;
G04B 19/103; G04B 19/106; G04B 19/12; G04B 19/18; G04B 19/24; G04B 19/28; G04B 19/32; G04B 37/00; G04B 37/0058; G04B 37/14; G04B 37/1446; G04B 37/18; G04B 45/0046; G04B 45/0069; G04B 45/0076

See application file for complete search history.

(56) **References Cited**

U.S. PATENT DOCUMENTS

D464,272 S * 10/2002 Man D10/30
D545,695 S * 7/2007 Laucella D10/39

D580,794 S * 11/2008 Takahashi D10/32
D615,882 S * 5/2010 Laucella D10/39
D682,137 S * 5/2013 Schellenberg D10/126
D693,719 S * 11/2013 Galvani D10/126
D705,675 S * 5/2014 Abdourahim D10/39
D723,964 S * 3/2015 Monachon D10/126
D775,972 S * 1/2017 Dupont D10/30
D793,870 S * 8/2017 Abdourahim D10/30
D793,892 S * 8/2017 Saunier D10/126
D822,522 S * 7/2018 Laucella D10/127
D827,454 S * 9/2018 Laucella D10/39
D881,026 S * 4/2020 Laucella D10/39
D889,303 S * 7/2020 Lasserre D10/126
2019/0000195 A1 * 1/2019 Golay G04B 37/0008

* cited by examiner

Primary Examiner — Katherine Glennon

(74) *Attorney, Agent, or Firm* — Abelman, Frayne & Schwab

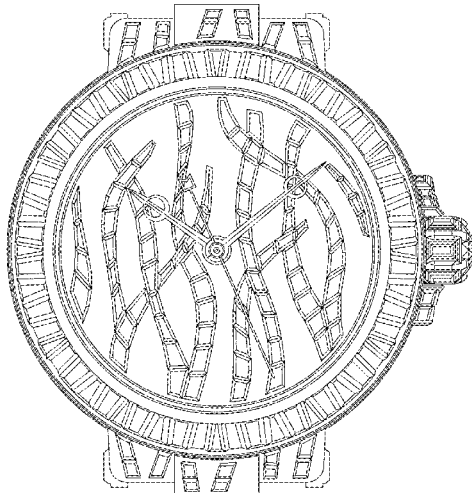
(57) **CLAIM**

The ornamental design for a watch case, as shown and described.

DESCRIPTION

FIG. 1 is a front view of a watch case showing the new design;
FIG. 2 is a rear view thereof;
FIG. 3 is right side view thereof;
FIG. 4 is a left side view thereof;
FIG. 5 is a top view thereof;
FIG. 6 is a bottom view thereof;
FIG. 7 is a front, right, and bottom perspective view thereof;
and,
FIG. 8 is a rear, left, and bottom perspective view thereof.
The broken line showing is for the purpose of illustrating portions of the watch case and forms no part of the claimed design.

1 Claim, 6 Drawing Sheets



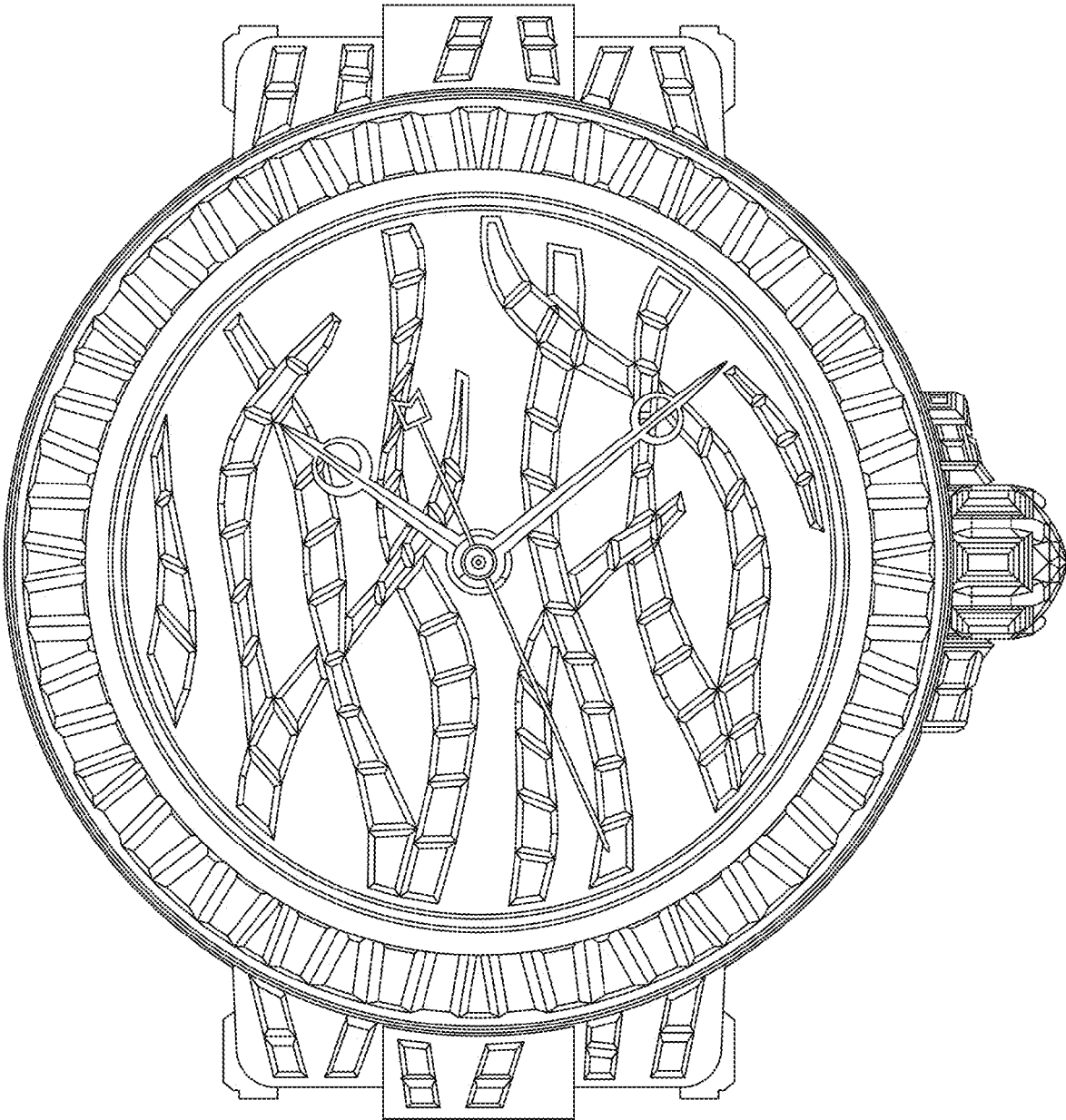


FIG. 1

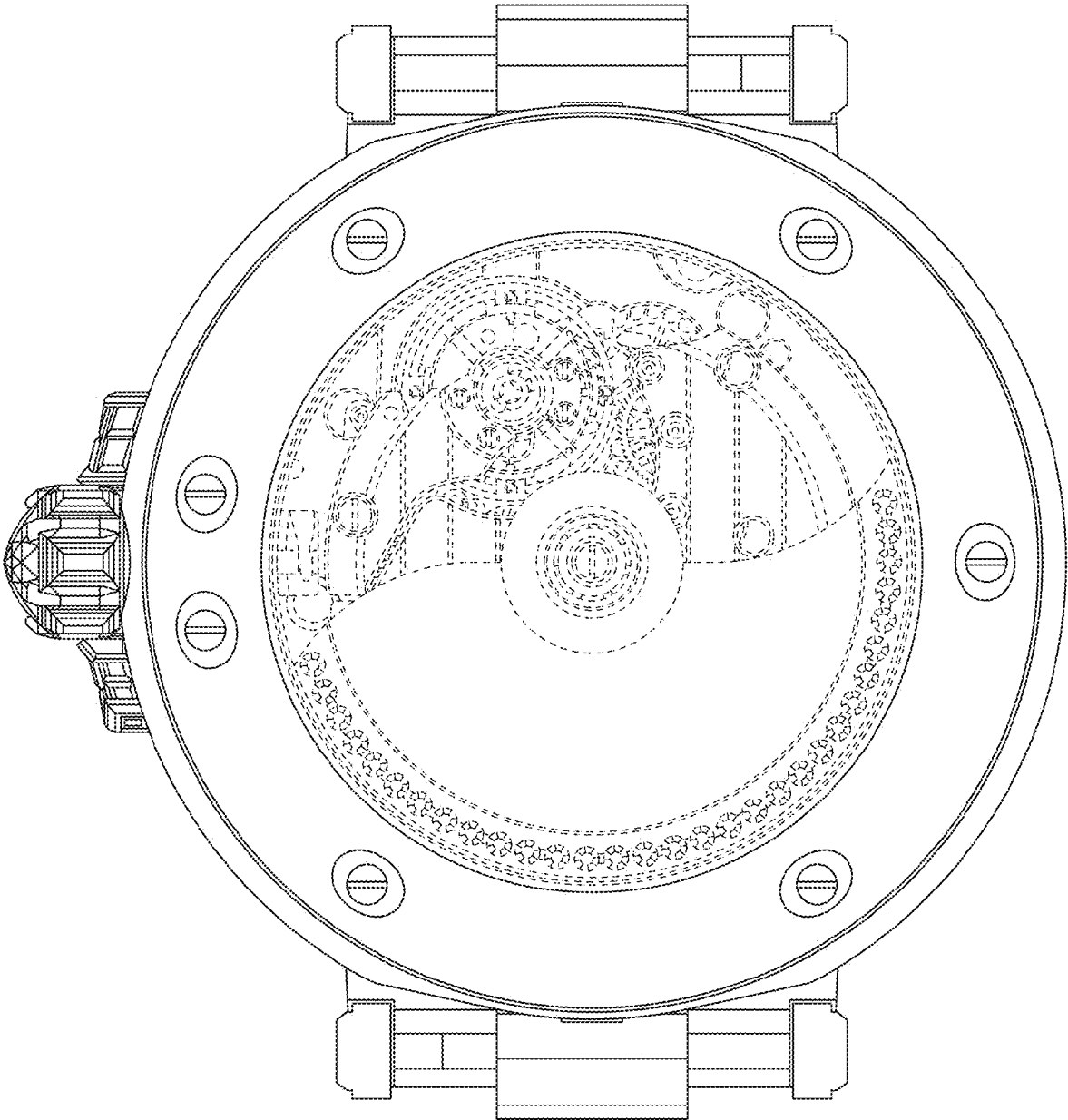


FIG. 2

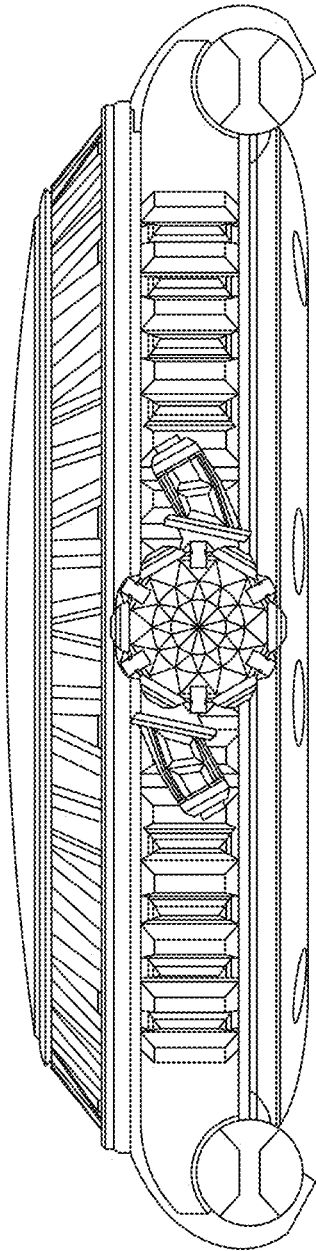


FIG. 3

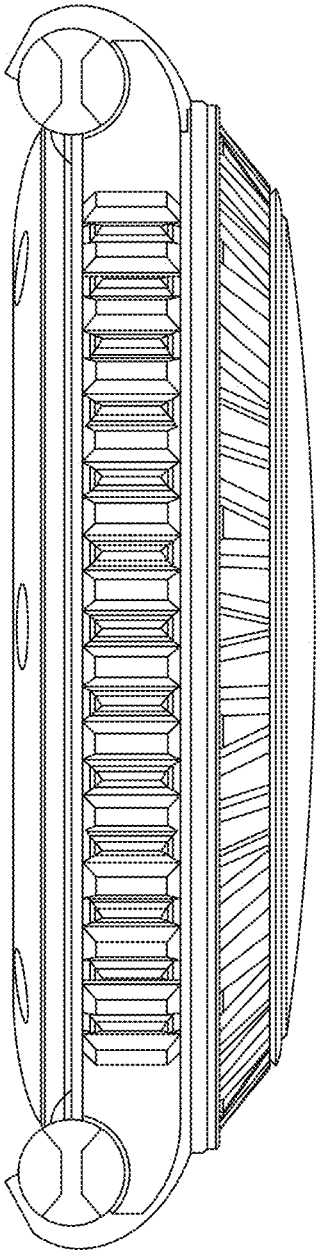


FIG. 4

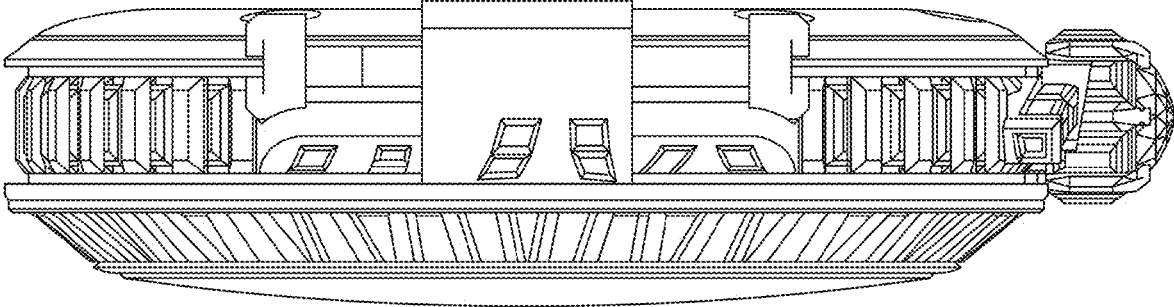


FIG. 5

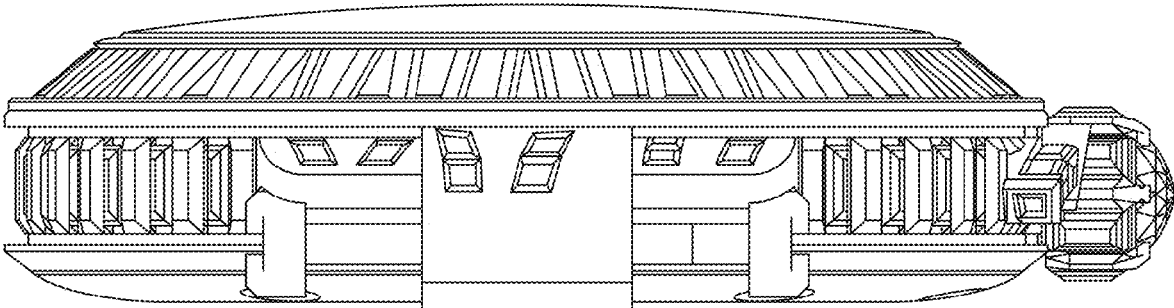


FIG. 6

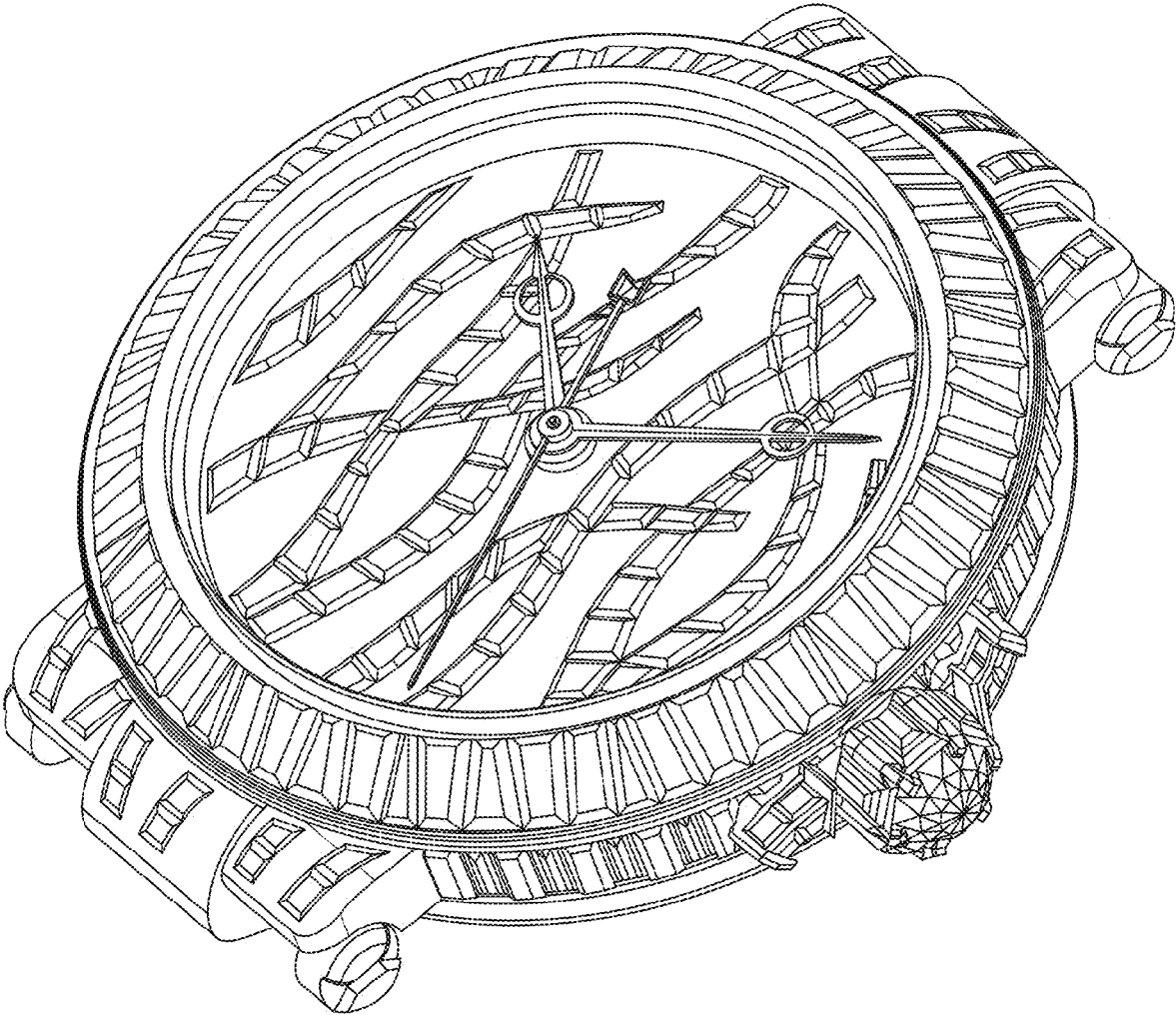


FIG. 7

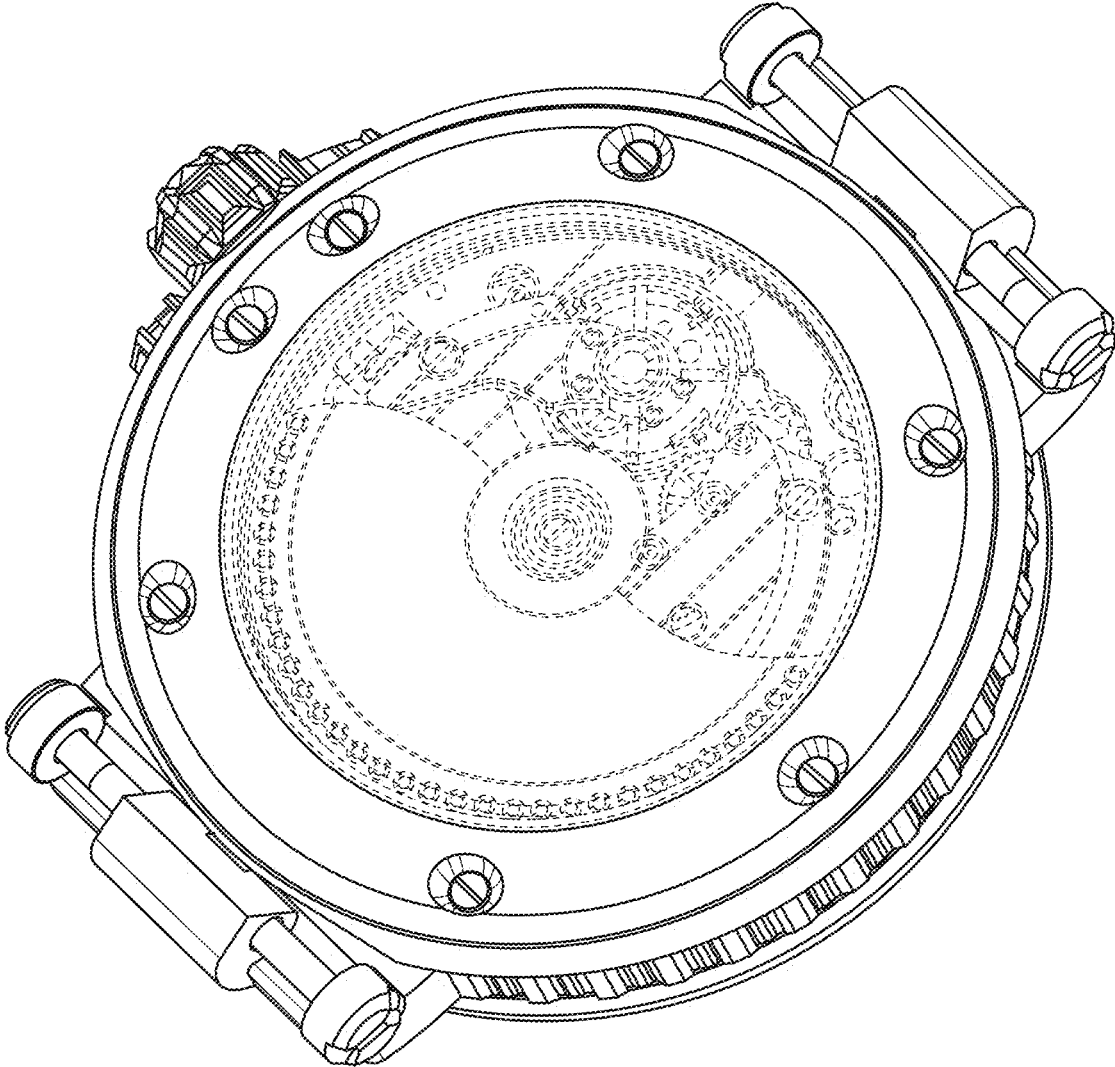


FIG. 8