



US00D676627S

(12) **United States Design Patent**  
**Doss**

(10) **Patent No.:** **US D676,627 S**  
(45) **Date of Patent:** **\*\* Feb. 26, 2013**

- (54) **ELASTIC PANTS BELT**
  - (76) Inventor: **Mark J. Doss**, Kelso, WA (US)
  - (\*\*) Term: **14 Years**
  - (21) Appl. No.: **29/418,676**
  - (22) Filed: **Apr. 19, 2012**
  - (51) **LOC (9) Cl.** ..... **02-07**
  - (52) **U.S. Cl.** ..... **D2/624**
  - (58) **Field of Classification Search** ..... D2/624-230,  
D2/639-640; 2/76, 175.7, 220-221, 236-237,  
2/309, 311-312, 321-323, 338; D29/100,  
D29/100.1; D11/200-201; 224/682; 431/328;  
24/532
- See application file for complete search history.

- D410,669 S \* 6/1999 Hamre ..... D17/20
- 6,085,356 A 7/2000 Redmond, Sr.
- 6,671,888 B2 \* 1/2004 Wallace ..... 2/237
- D533,807 S 12/2006 English
- 7,937,776 B1 \* 5/2011 Anderson ..... 2/338
- 2010/0162468 A1 7/2010 Hanson

\* cited by examiner

*Primary Examiner* — T. Chase Nelson  
*Assistant Examiner* — Kathleen M Sims

(57) **CLAIM**  
The ornamental design for an elastic pants belt, as shown and described.

**DESCRIPTION**

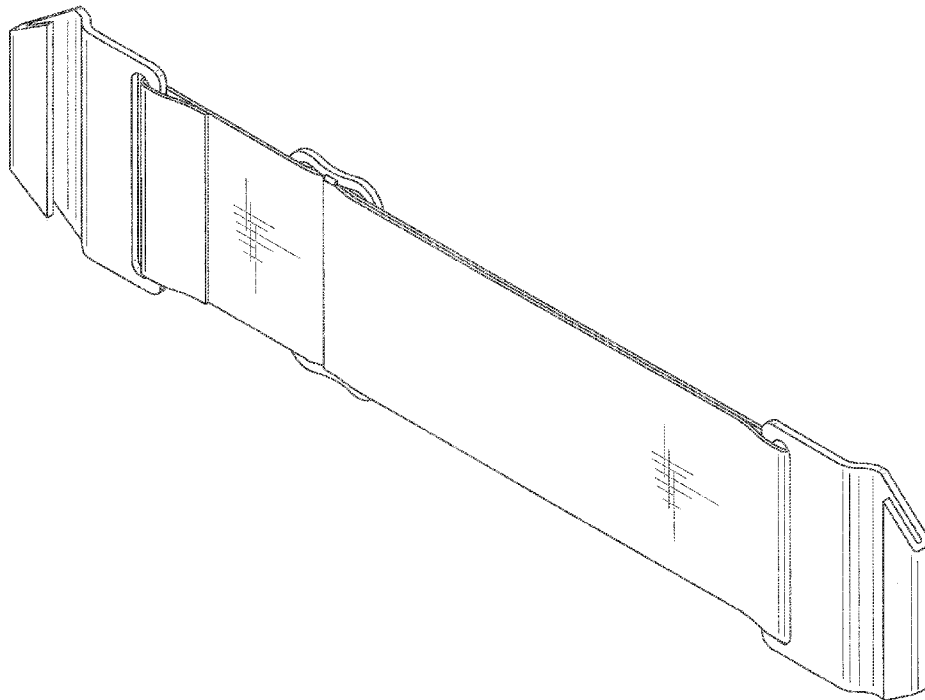
FIG. 1 is a perspective view of an elastic pants belt showing my new design;  
 FIG. 2 is a back view thereof;  
 FIG. 3 is a front view thereof;  
 FIG. 4 is a side view (opposite side view is mirror image) thereof;  
 FIG. 5 is a top view (bottom view is mirror image) thereof; and,  
 FIG. 6 is a front perspective view of an in-use elastic pants belt.  
 In FIG. 6, the broken lines showing of environmental structure for purposes of illustrating the elastic pants belt in a condition of use.  
 The broken line showing of trousers and a torso in in FIG. 6 is included for the purpose of showing environmental structure associated with the elastic pants belt in condition of use, and forms no part of the claimed design.

(56) **References Cited**

U.S. PATENT DOCUMENTS

757,701 A *	4/1904	Wheless	2/237
801,518 A *	10/1905	Fries	24/532
1,174,976 A	3/1916	Gaines	
1,331,457 A *	2/1920	Elliott	2/221
1,365,749 A *	1/1921	Torchia	2/76
1,410,806 A *	3/1922	Hardel	431/328
1,549,672 A *	8/1925	Lazier	2/323
1,823,296 A *	9/1931	Sekey	2/237
1,826,803 A *	10/1931	Lubell	2/237
2,837,748 A *	6/1958	Manning et al.	2/309
2,911,653 A *	11/1959	O'Donnell	2/321
3,001,204 A *	9/1961	Harrison	2/309
4,800,594 A *	1/1989	Young	2/237
4,920,581 A	5/1990	Gray	
5,566,397 A	10/1996	Scott	

**1 Claim, 4 Drawing Sheets**



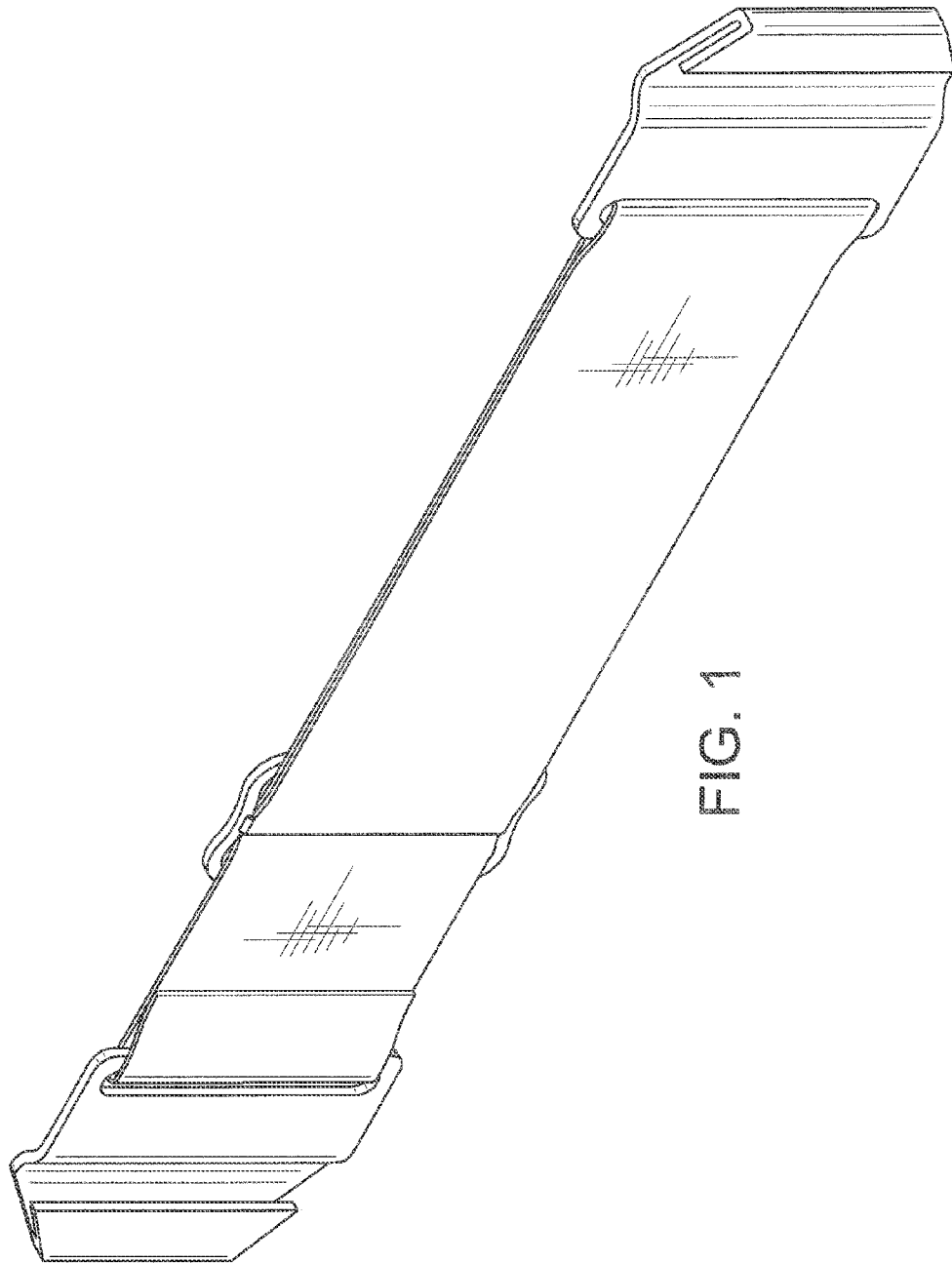


FIG. 1

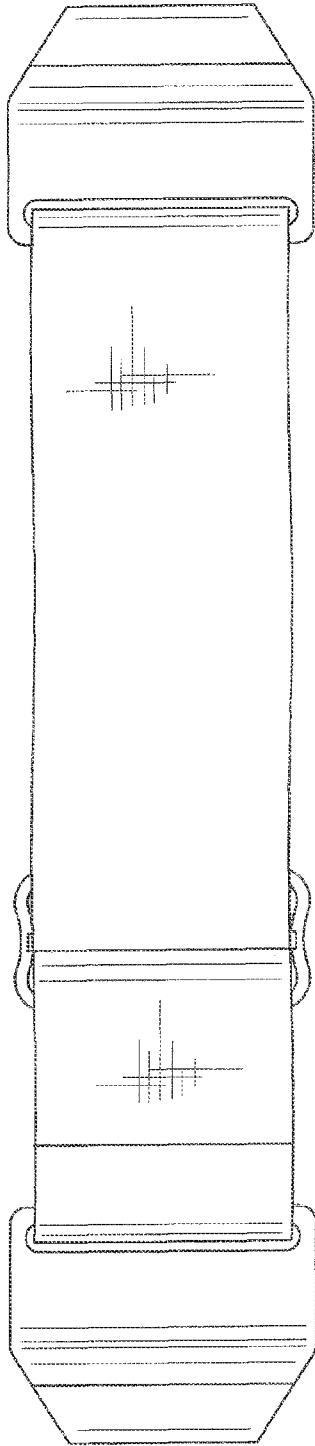


FIG. 2

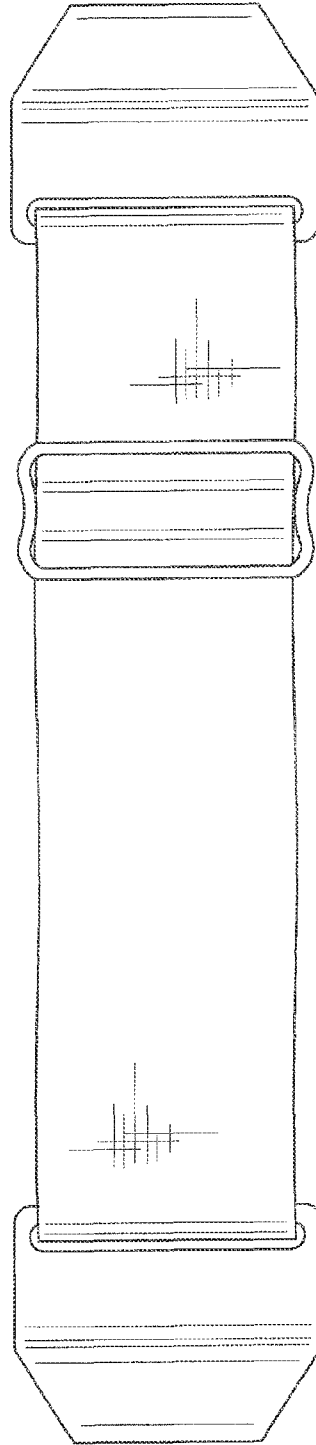


FIG. 3

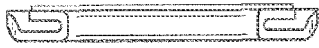


FIG. 4



FIG. 5

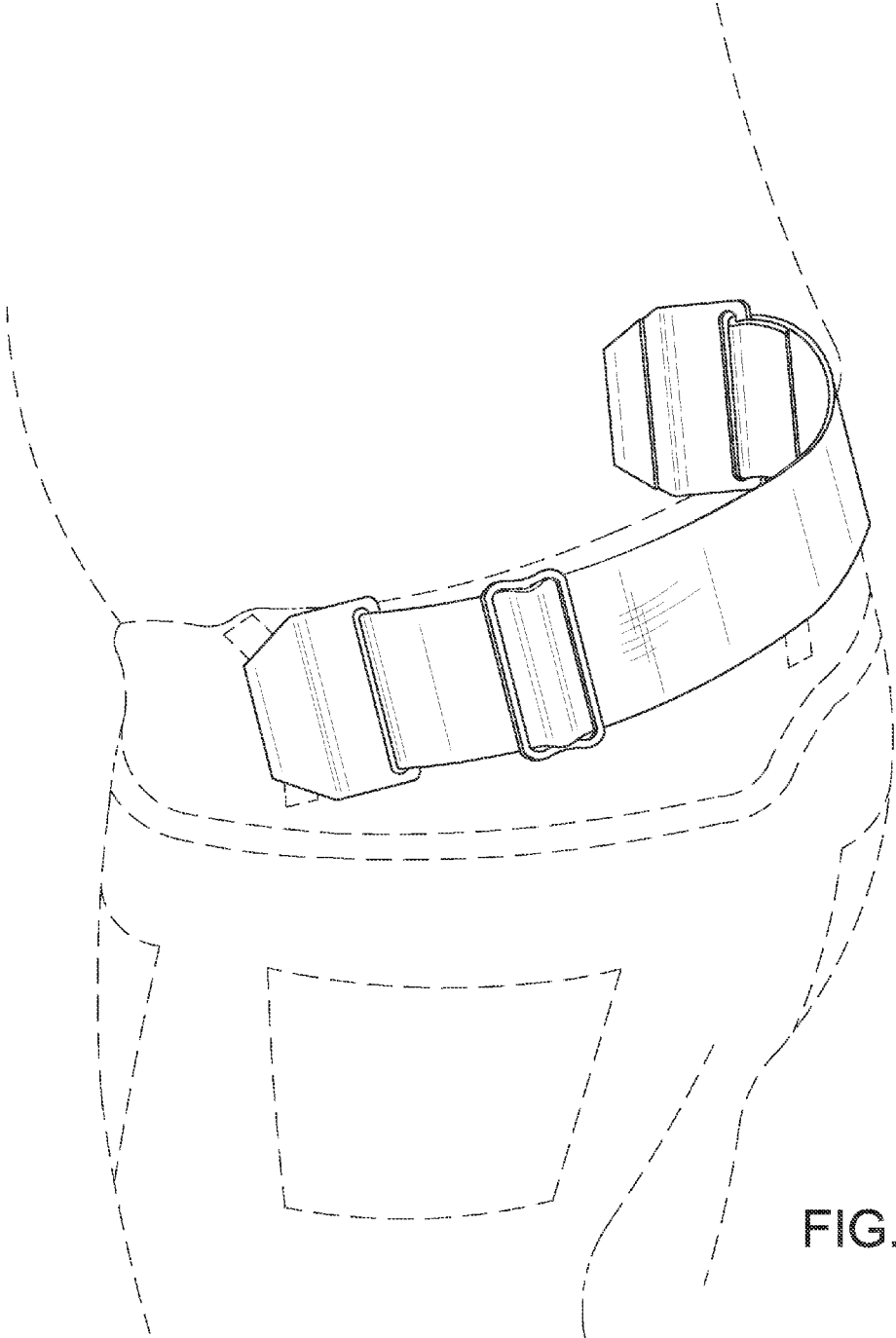


FIG. 6