



US00D957185S

(12) **United States Design Patent**
Chen et al.

(10) **Patent No.:** **US D957,185 S**
(45) **Date of Patent:** **** Jul. 12, 2022**

- (54) **BOTTLE LID**
- (71) Applicants: **FUJIAN SPD E-COMMERCE CO., LTD.**, Xiamen (CN); **Yuejin Pan**, Taizhou (CN)
- (72) Inventors: **Honghui Chen**, Xiamen (CN); **Yuejin Pan**, Taizhou (CN)
- (73) Assignees: **FUJIAN SPD E-COMMERCE CO., LTD.**, Xiamen (CN); **Yuejin Pan**, Taizhou (CN)

D608,640	S	*	1/2010	Carreno	D9/449
RE42,484	E	*	6/2011	Kitamura	D7/510
D661,945	S	*	6/2012	Eyal	D7/396.2
D675,060	S	*	1/2013	Lane	D7/392.1
D686,871	S	*	7/2013	Lane	D9/449
D778,117	S	*	2/2017	Du	D7/608
D794,453	S	*	8/2017	Boroski	D7/396.2
D801,173	S		10/2017	Lown et al.		
D818,767	S	*	5/2018	Nezu	D7/392.1
D822,429	S	*	7/2018	Washburn	D7/387

(Continued)

(**) Term: **15 Years**

CN 303944216 * 11/2016

(21) Appl. No.: **29/785,741**

(22) Filed: **May 27, 2021**

(51) **LOC (13) Cl.** **07-02**

(52) **U.S. Cl.**
USPC **D7/392.1; D9/449**

(58) **Field of Classification Search**
USPC D9/435, 436, 439, 440, 442-445, 447, D9/449, 450, 452-454, 499, 503, 504, D9/516, 529; D7/387, 391, 392, 392.1, D7/396.1, 396.2, 397, 398, 510, 511, 900; D3/202

CPC .. A61J 1/00; A61J 1/1412; B65D 1/00; B65D 1/02; B65D 1/10; B65D 1/46; B65D 5/46; B65D 41/00; B65D 41/26; B65D 41/38; B65D 41/56; B65D 41/62; B65D 43/00; B65D 47/00; B65D 47/04; B65D 47/06; B65D 47/061; B65D 47/065; B65D 47/08; B65D 47/12; B65D 47/122; B65D 47/40; B65D 2251/00; B65D 2543/00046; B65D 2543/00092; B65D 2543/00296

See application file for complete search history.

(56) **References Cited**

U.S. PATENT DOCUMENTS

D533,061	S	*	12/2006	Li	D9/443
D590,661	S	*	4/2009	Kitamura	D7/510

FOREIGN PATENT DOCUMENTS

CN 303944216 * 11/2016

OTHER PUBLICATIONS

Amazon.com "Fidus Large 1 Gallon Motivational Water Bottle" (online) date first available Apr. 18, 2020. Retrieved from Internet on Mar. 26, 2022, URL: <https://www.amazon.com/Fidus-Gallon-Motivational-Paracord-Removable/dp/B0878XXTST?th=1&psc=1> (9 pages). (Year: 2020).*

Primary Examiner — Wendy L Arminio

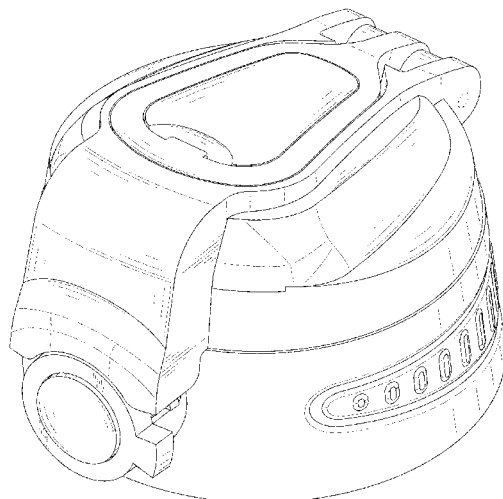
(57) **CLAIM**

The ornamental design for a bottle lid, as shown and described.

DESCRIPTION

FIG. 1 is a perspective view of a bottle lid showing our new design; FIG. 2 is another perspective view thereof; FIG. 3 is a front elevational view thereof; FIG. 4 is a rear elevational view thereof; FIG. 5 is a left side elevational view thereof; FIG. 6 is a right side elevational view thereof; FIG. 7 is a top plan view thereof; and, FIG. 8 is a bottom plan view thereof. The broken lines in the drawings depict portions of the bottle lid that form no part of the claimed design.

1 Claim, 8 Drawing Sheets



(56)

References Cited

U.S. PATENT DOCUMENTS

D839,044	S	*	1/2019	Potter	D7/392
D848,787	S	*	5/2019	Tatsukawa	D7/392.1
D853,784	S	*	7/2019	Wu	D7/392.1
D861,421	S	*	10/2019	Barber	D9/443
D869,230	S	*	12/2019	Hao	D9/452
D884,473	S		5/2020	Tse et al.		
D897,776	S	*	10/2020	Pan	D7/511
D902,648	S	*	11/2020	Wang	D9/449
D909,128	S	*	2/2021	Hu	D7/396.2
D923,397	S	*	6/2021	Lin	D7/392.1
D928,558	S	*	8/2021	Han	D7/392.1
D937,036	S	*	11/2021	Shi	D9/452
D939,271	S	*	12/2021	Chen	D7/392.1
D941,086	S	*	1/2022	Zhou	D9/443
D942,212	S	*	2/2022	Zhou	D7/392.1
D943,343	S	*	2/2022	Wang	D7/392.1

* cited by examiner

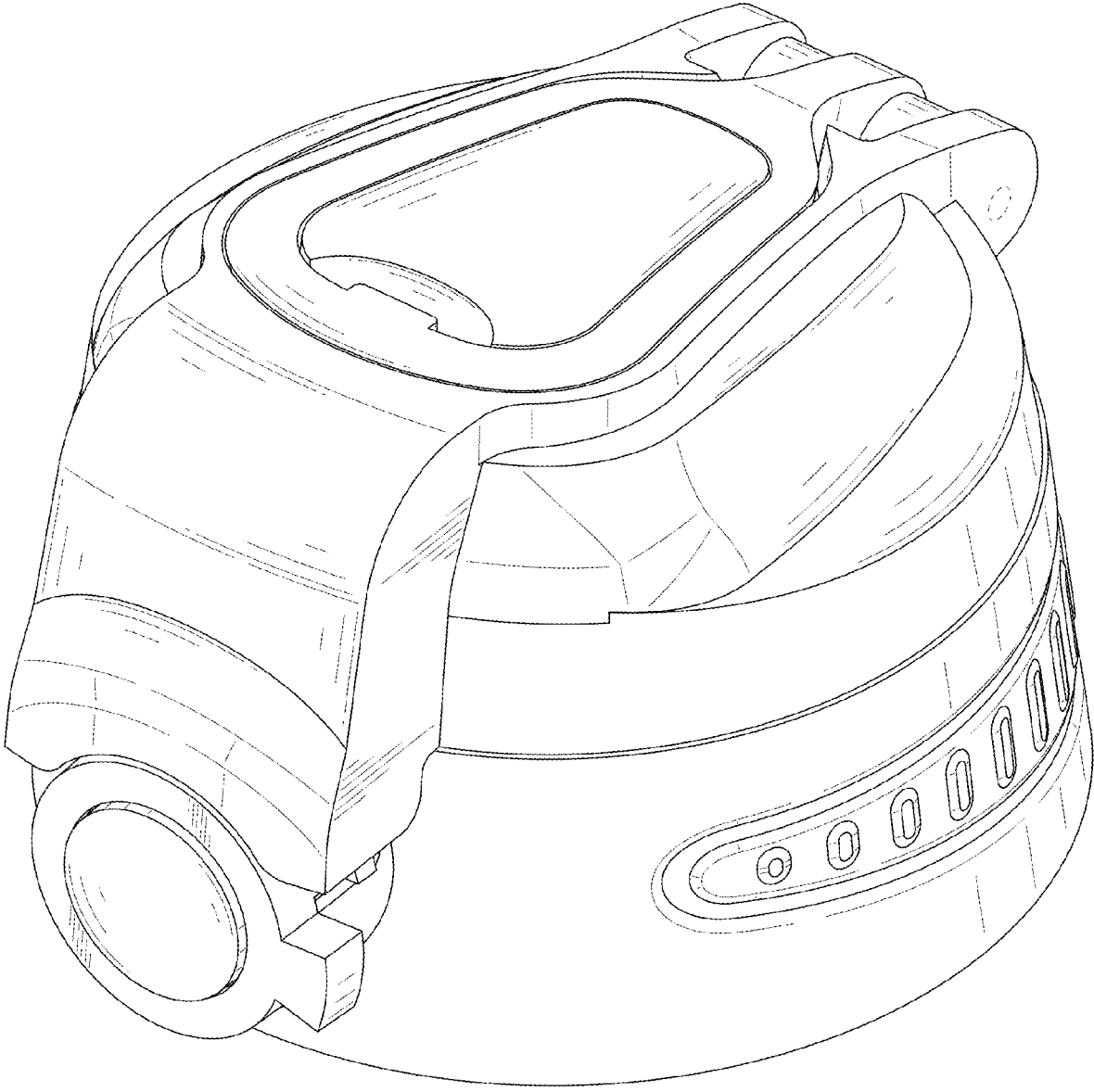


FIG. 1

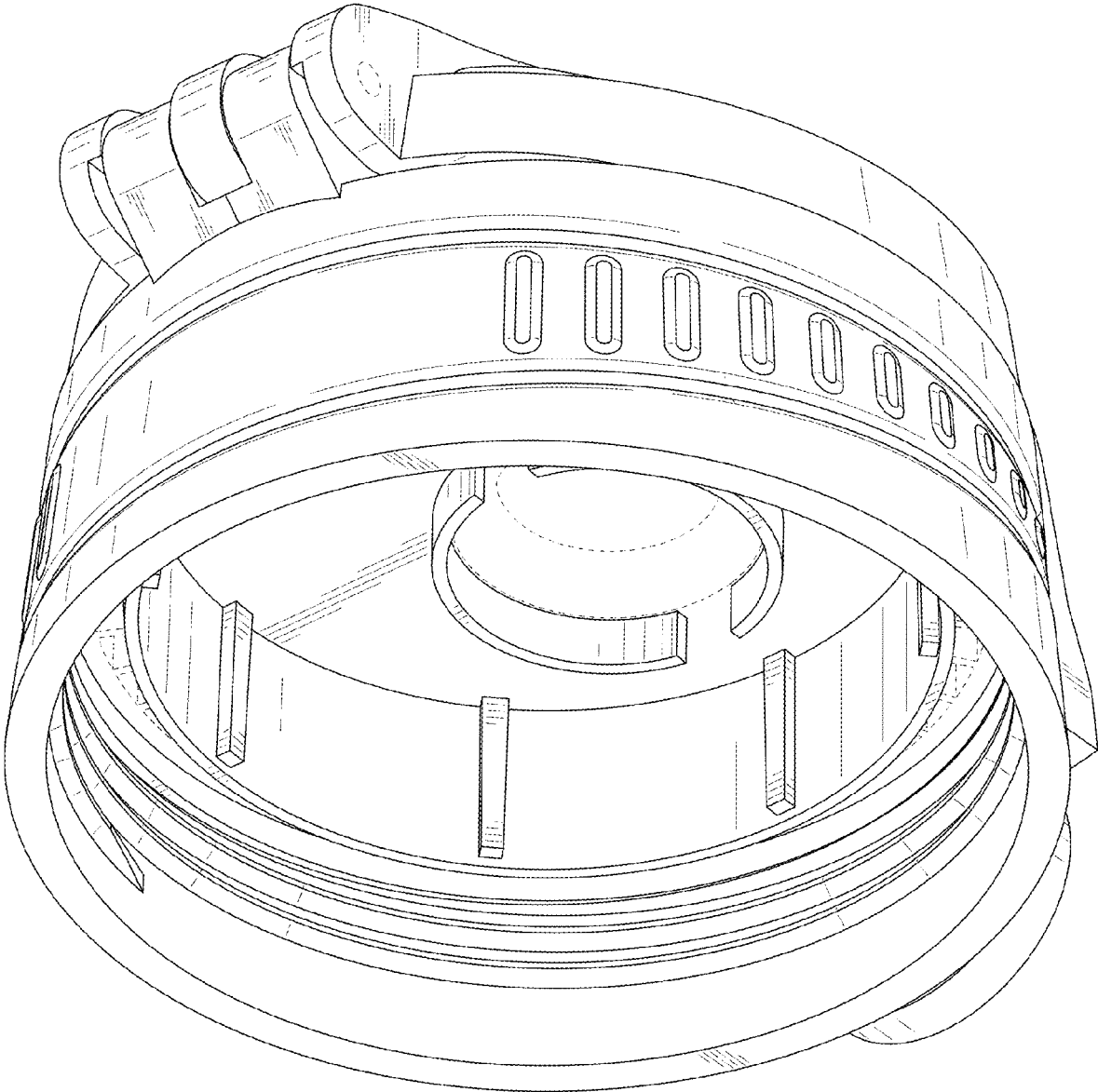


FIG. 2

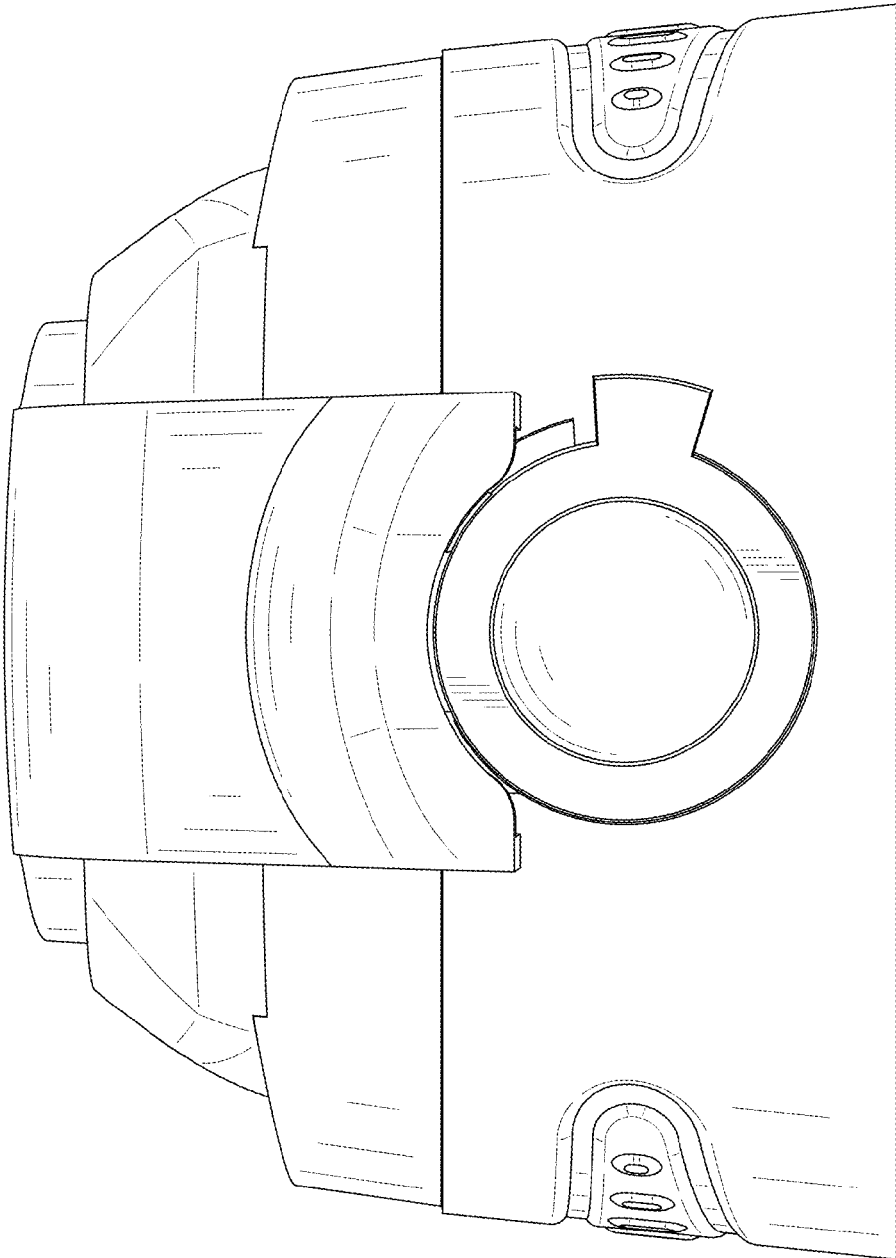


FIG. 3

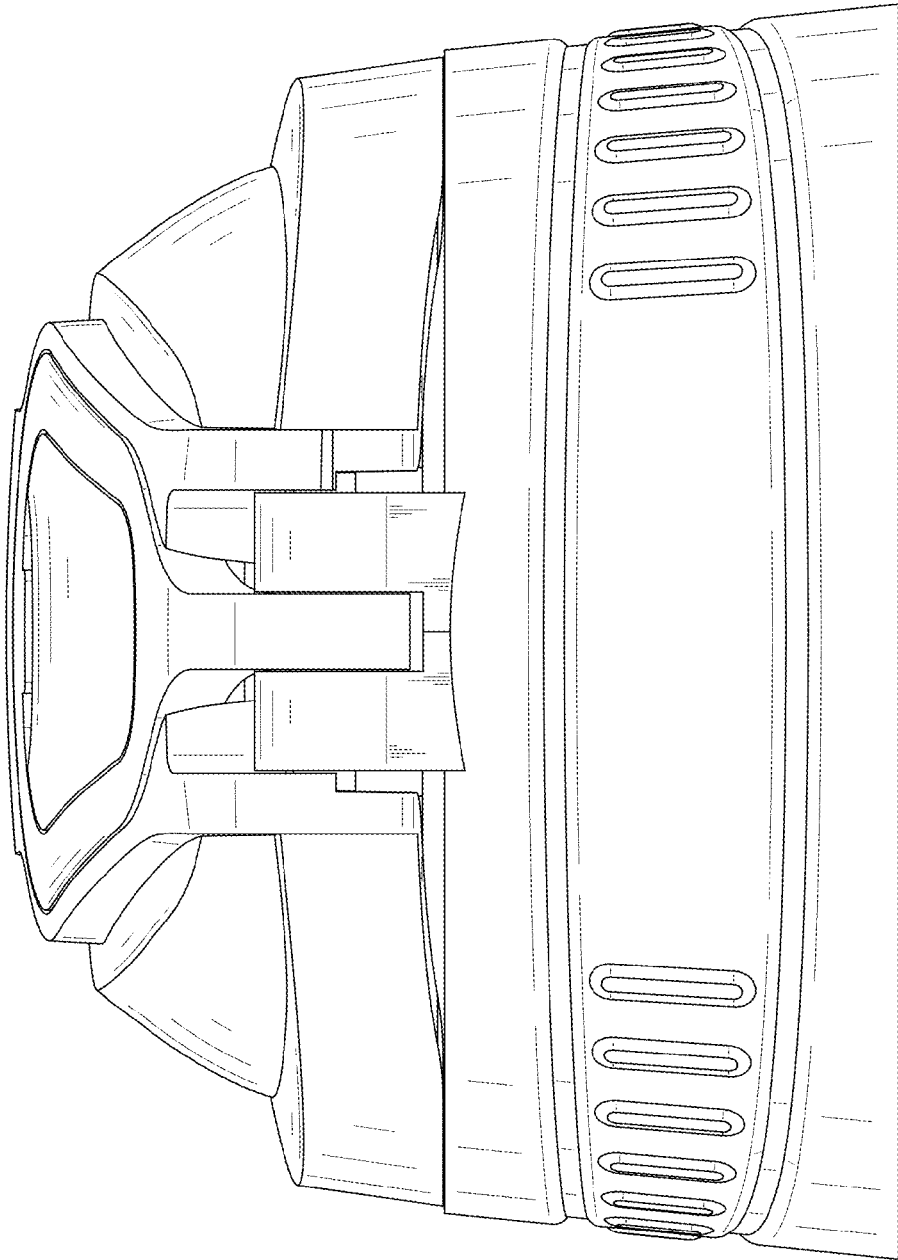


FIG. 4

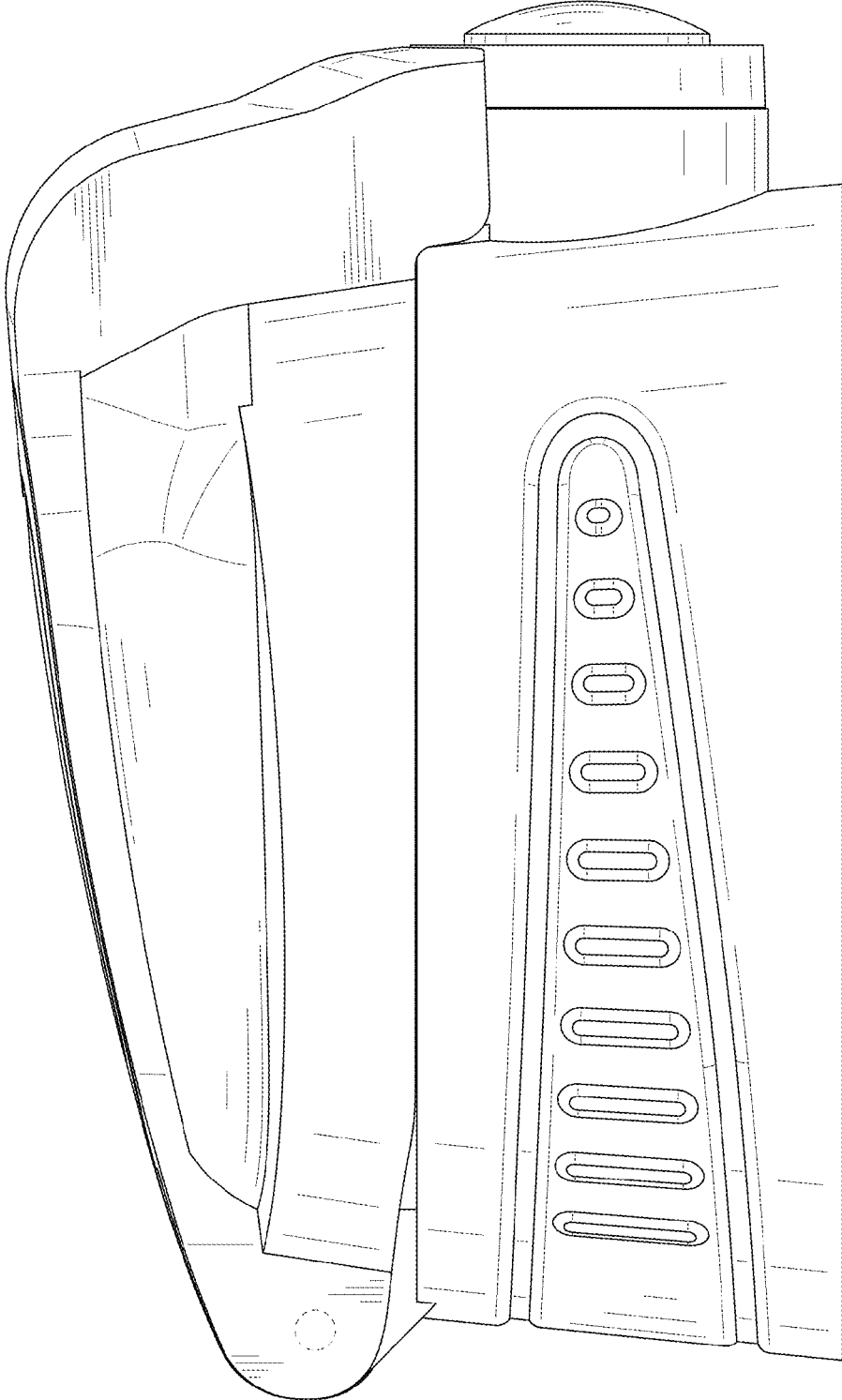


FIG. 5

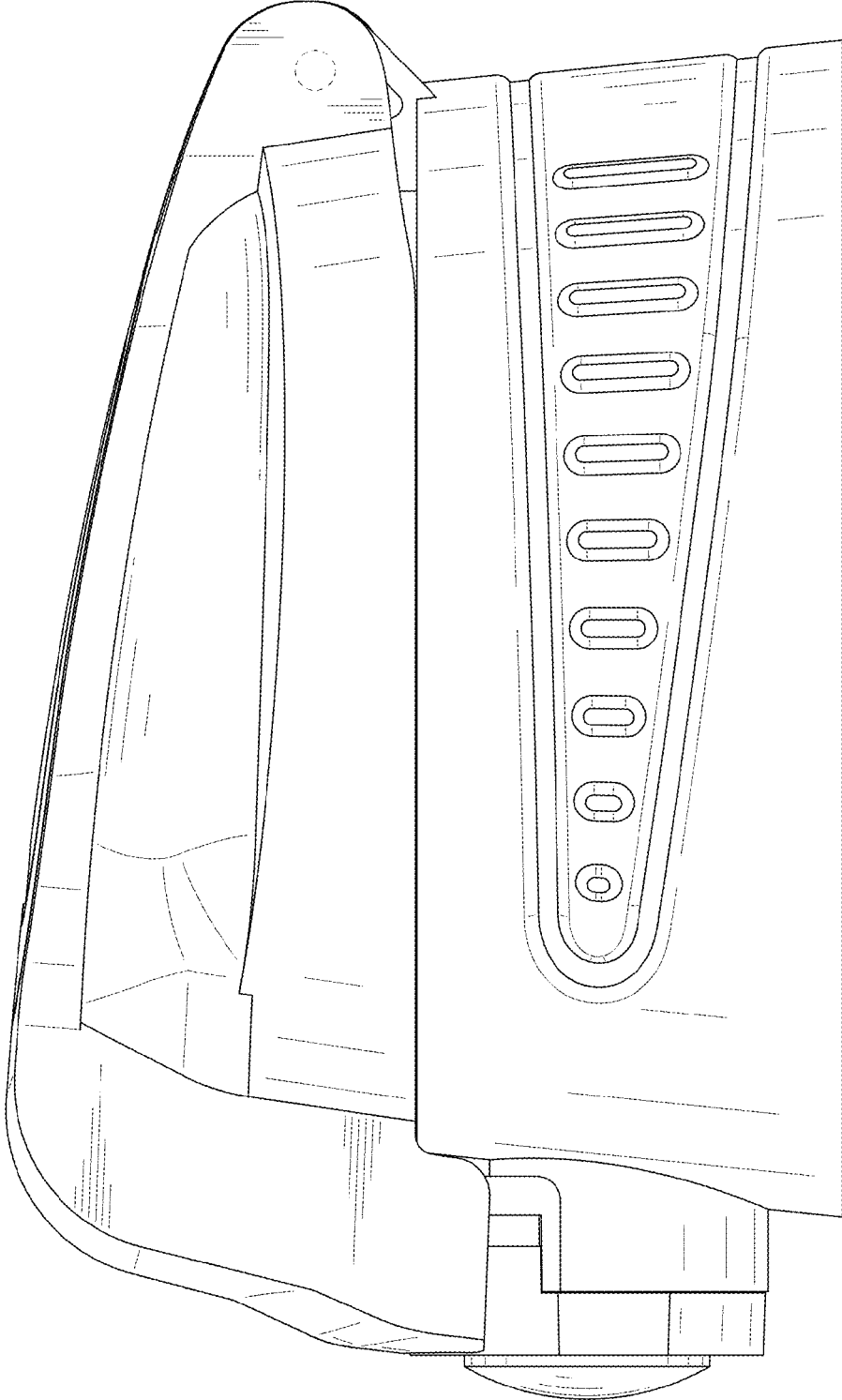


FIG. 6

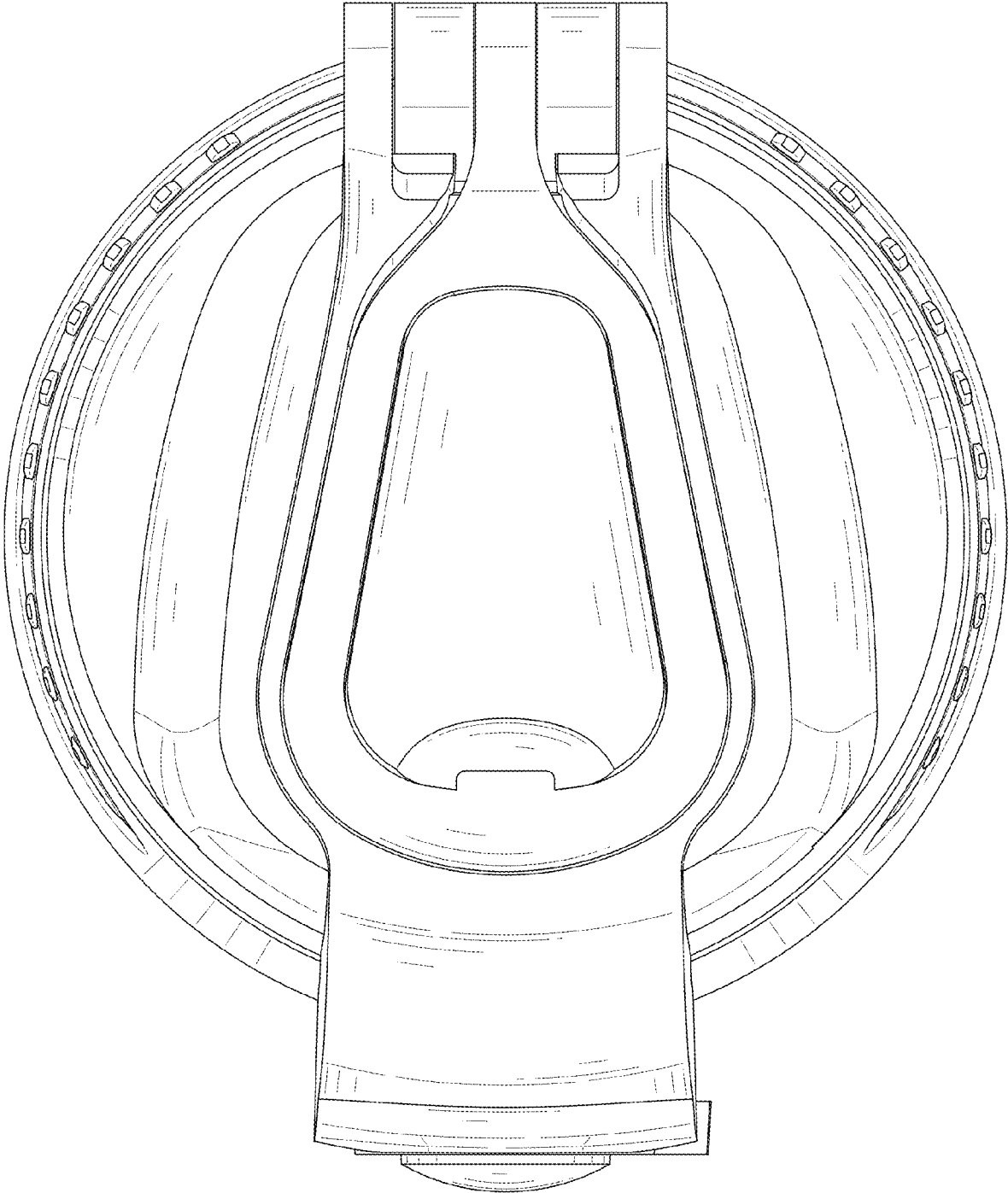


FIG. 7

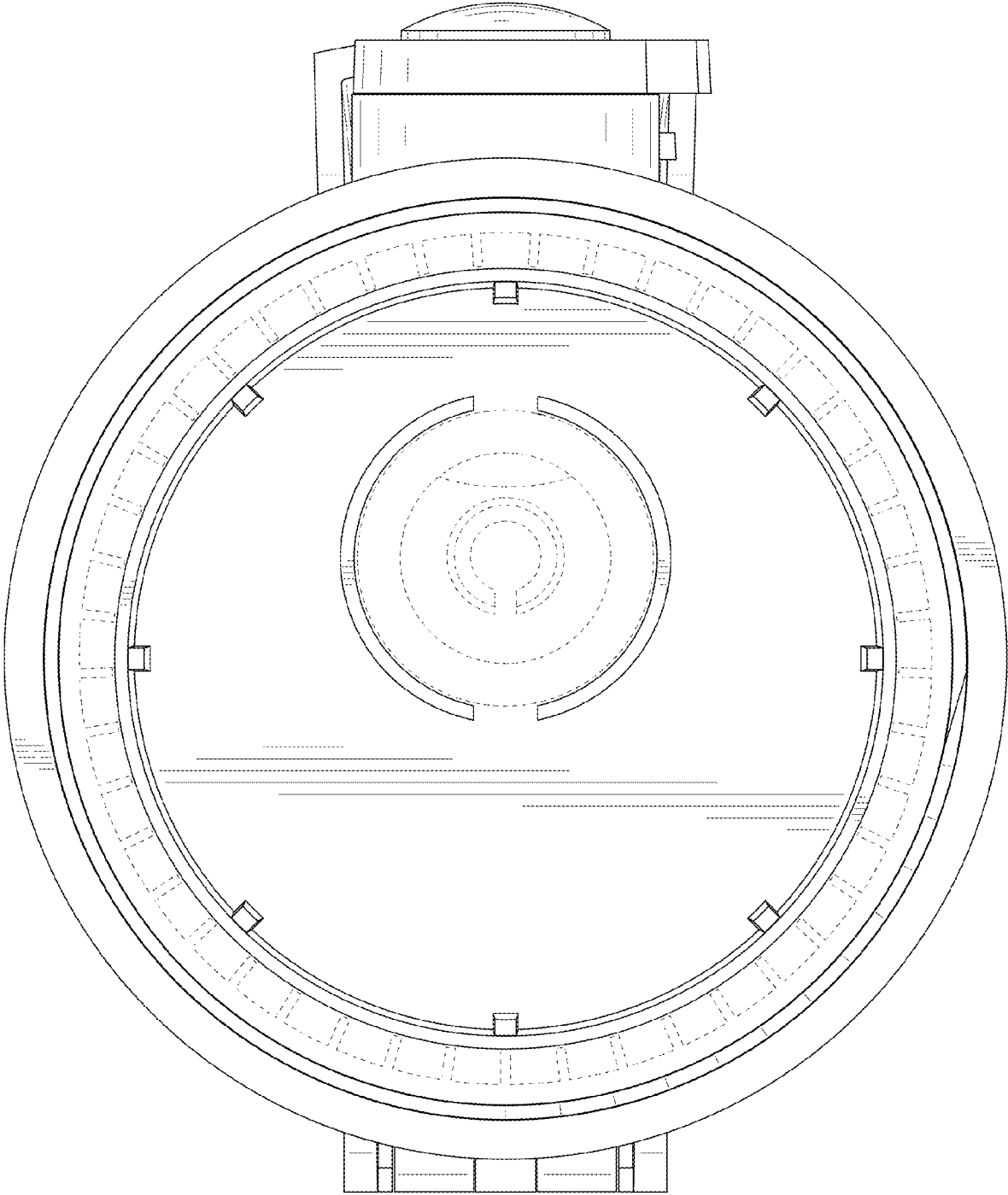


FIG. 8