



US00D835427S

(12) **United States Design Patent**
Inovero

(10) **Patent No.:** **US D835,427 S**

(45) **Date of Patent:** **** *Dec. 11, 2018**

(54) **CHAIR**

(71) Applicant: **BOND MANUFACTURING CO., INC.**, Antioch, CA (US)

(72) Inventor: **Trisha Inovero**, Caloocan (PH)

(73) Assignee: **Bond Manufacturing Co., Inc.**, Antioch, CA (US)

(*) Notice: This patent is subject to a terminal disclaimer.

(**) Term: **15 Years**

(21) Appl. No.: **29/605,834**

(22) Filed: **May 30, 2017**

(51) **LOC (11) Cl.** **06-01**

(52) **U.S. Cl.**
USPC **D6/370**

(58) **Field of Classification Search**
USPC D6/334-336, 370, 371-373, 374, 376, D6/379, 380, 716, 716.1, 716.2, 716.3, D6/716.4

CPC .. A47C 11/00; A47C 4/02; A47C 4/03; A47C 4/08; A47C 4/024; A47C 4/025; A47C 7/16; A47C 7/54

See application file for complete search history.

(56) **References Cited**

U.S. PATENT DOCUMENTS

D366,774 S * 2/1996 Frinier D6/370
D399,667 S * 10/1998 Muller D6/379

D425,718 S * 5/2000 van Valderen D6/370
D457,342 S * 5/2002 Muller D6/379
D479,774 S * 9/2003 Wimberger D6/370
D525,799 S * 8/2006 Lowsky D6/379
D569,639 S * 5/2008 Swanson D6/370
D720,941 S * 1/2015 Mila Valcarcel D6/370
D739,155 S * 9/2015 Gretz D6/370
D759,986 S * 6/2016 Bougay D6/370
D761,032 S * 7/2016 Asner D6/370

* cited by examiner

Primary Examiner — Mimosa De

(74) *Attorney, Agent, or Firm* — Weide & Miller, Ltd.

(57) **CLAIM**

The ornamental design for a chair, as shown and described.

DESCRIPTION

FIG. 1 is a perspective view of a chair showing the new design.

FIG. 2 is a perspective view of a chair showing the new design.

FIG. 3 is a front view of the design shown in FIG. 1.

FIG. 4 is a back view of the design shown in FIG. 1.

FIG. 5 is a right-side view of the design shown in FIG. 1.

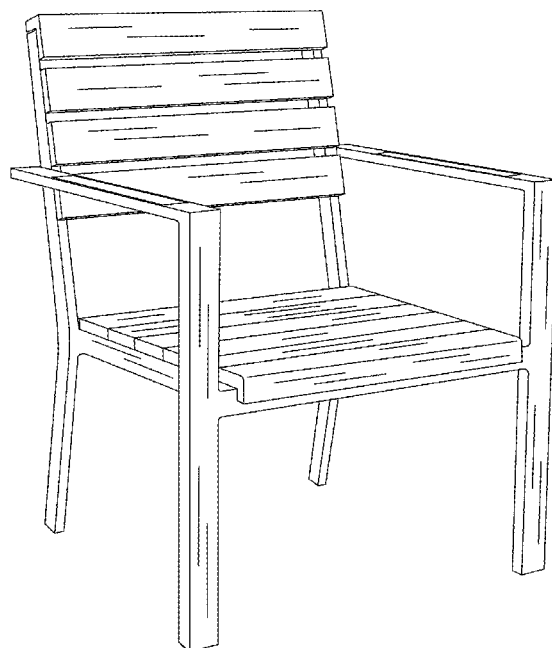
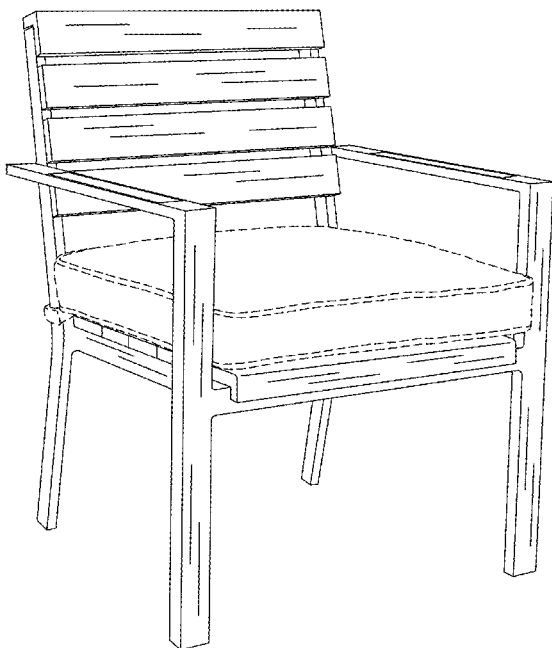
FIG. 6 is a left-side view of the design shown in FIG. 1.

FIG. 7 is a top view of the design shown in FIG. 1; and,

FIG. 8 is a bottom view of the design shown in FIG. 1.

The broken lines indicate unclaimed portions of the article and form no part of the claimed design.

1 Claim, 8 Drawing Sheets



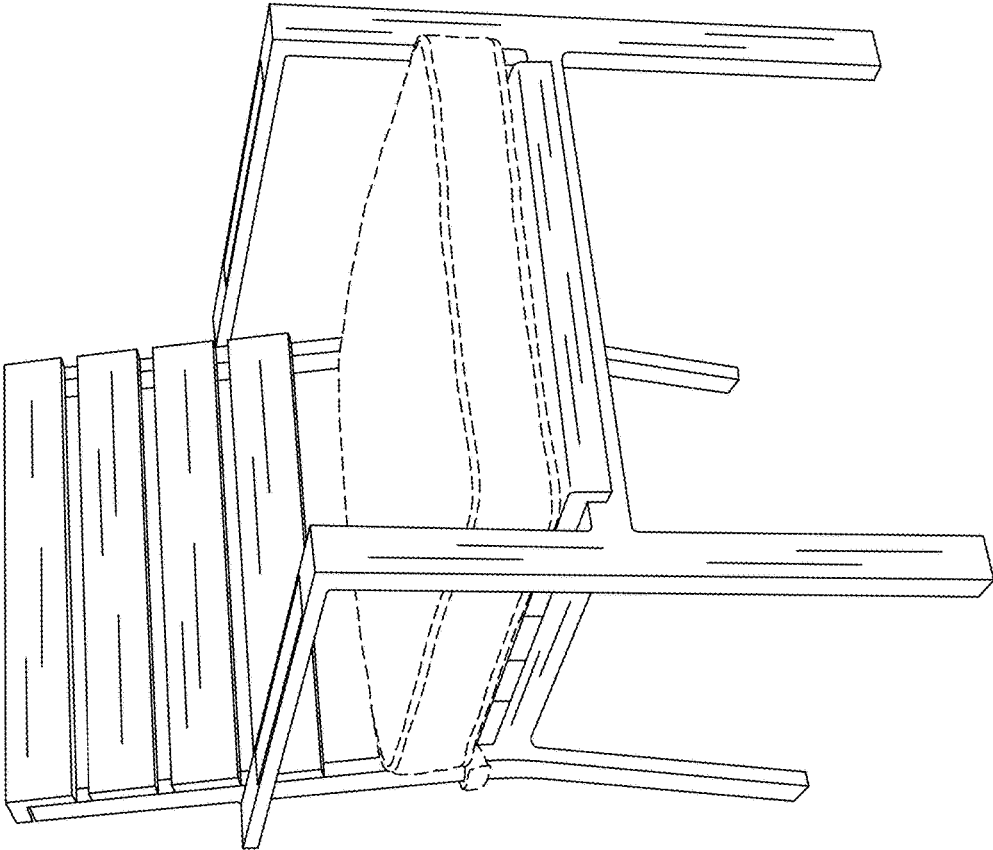


FIG. 1

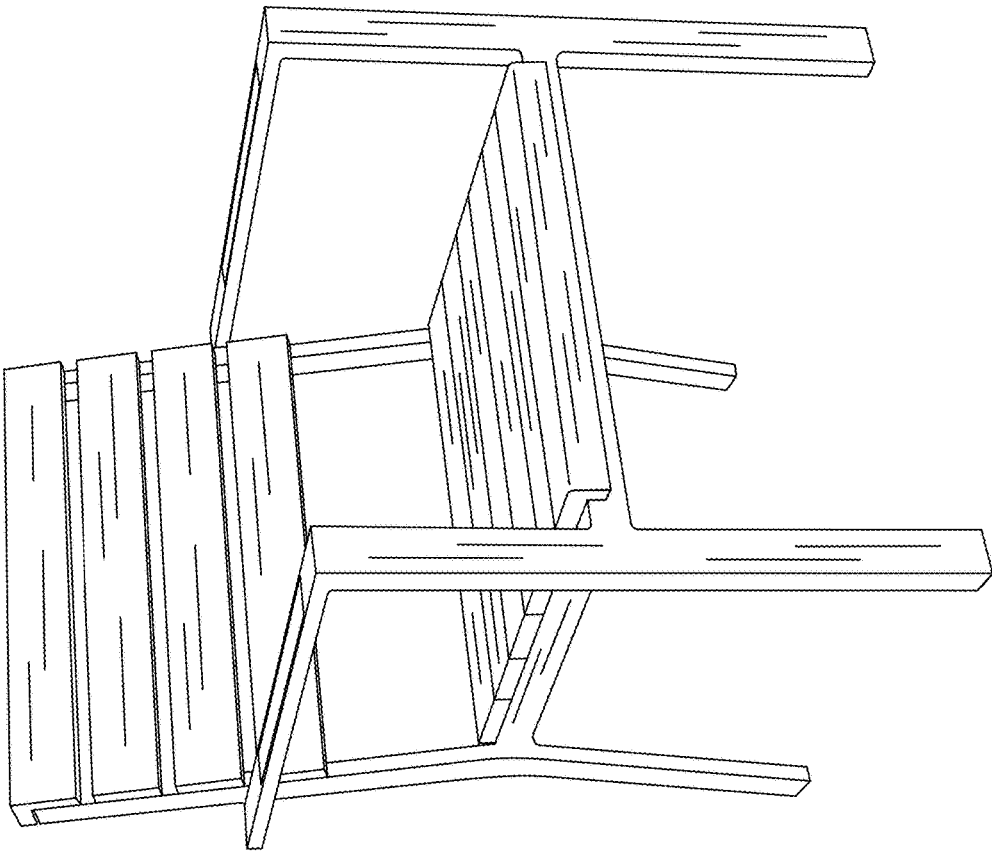


FIG. 2

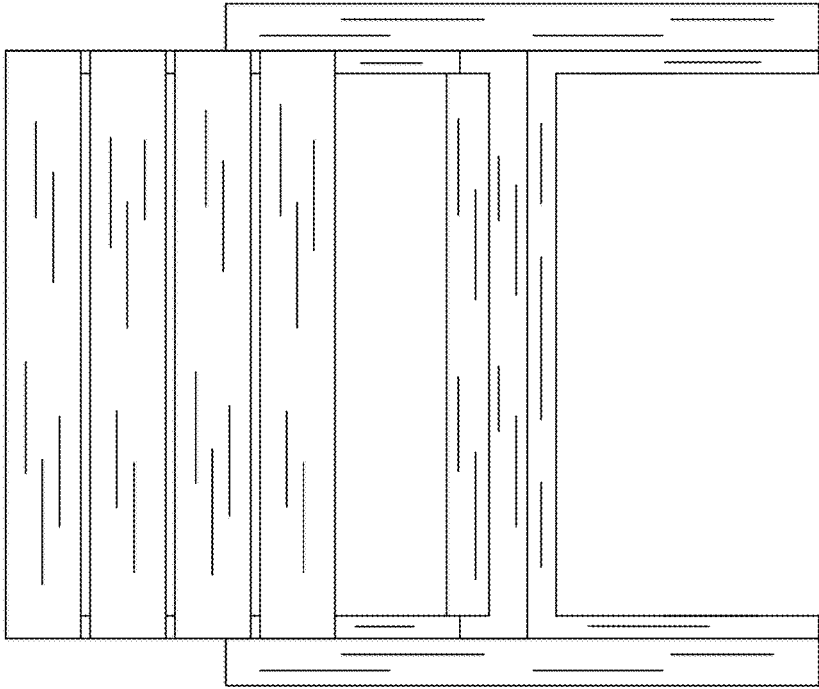


FIG. 3

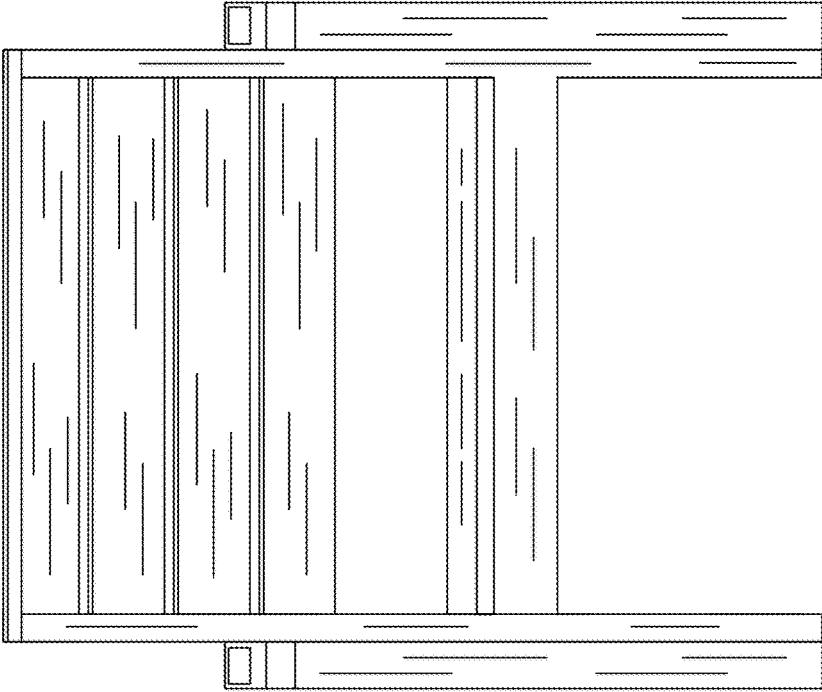


FIG. 4

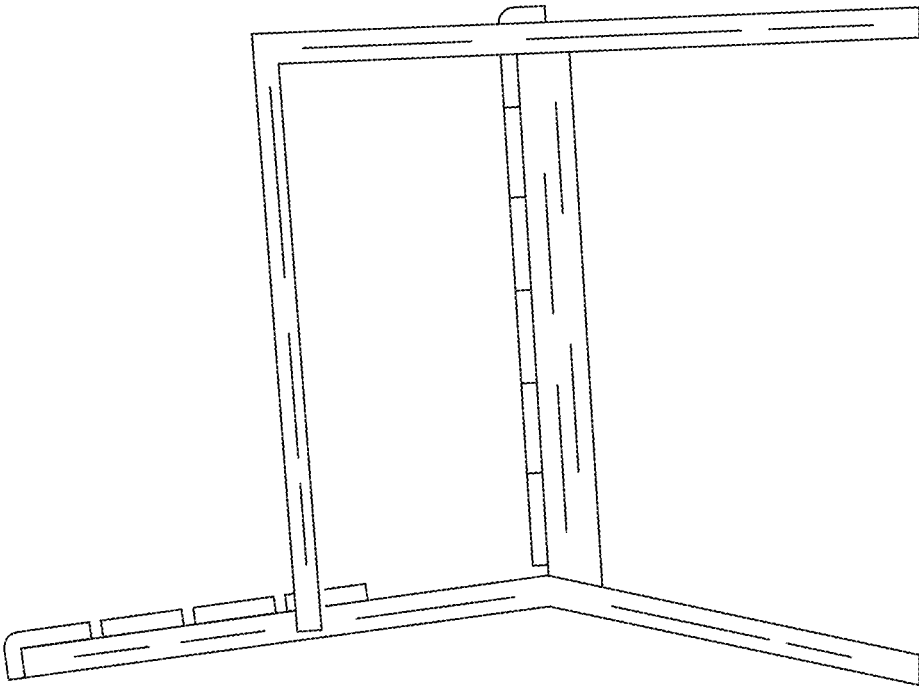


FIG. 5

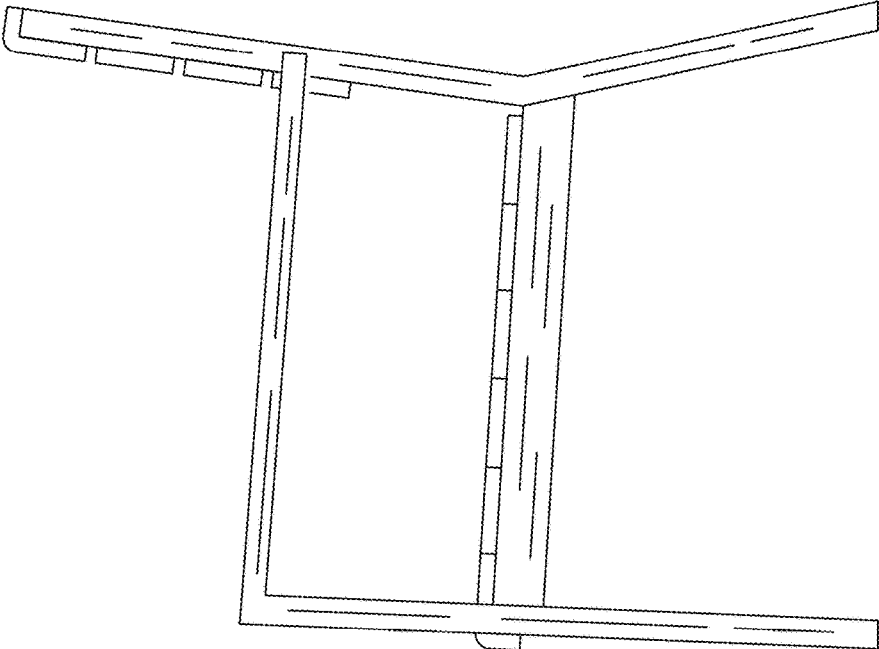


FIG. 6

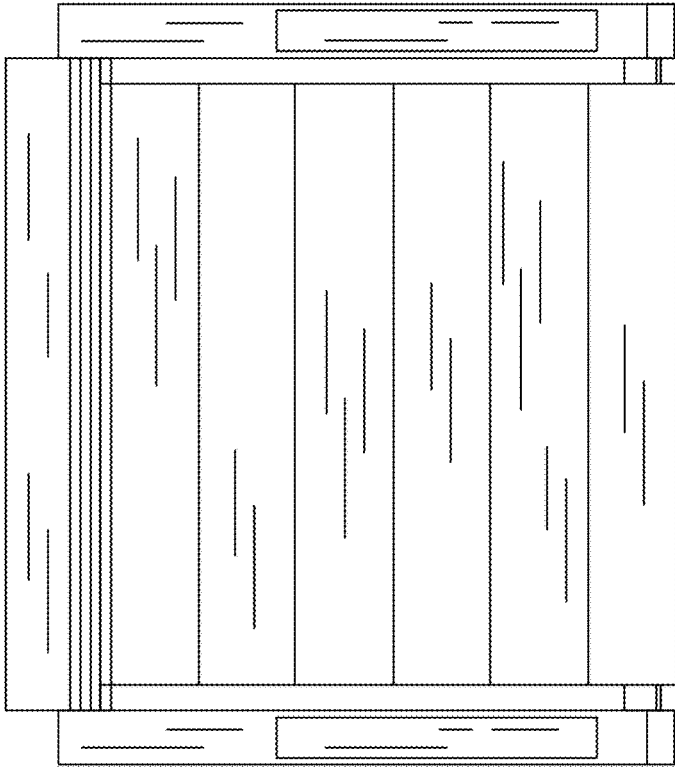


FIG. 7

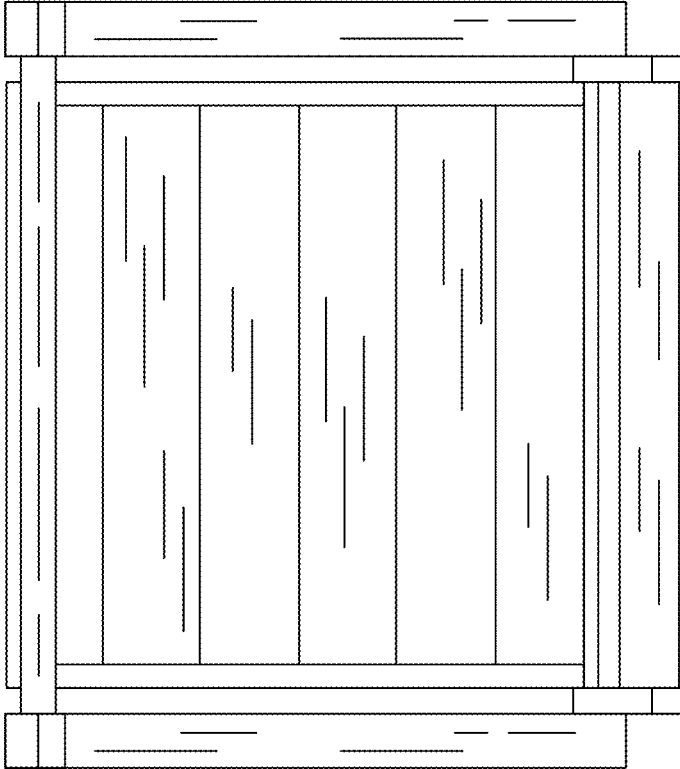


FIG. 8