



US00D970922S

(12) **United States Design Patent** (10) **Patent No.:** **US D970,922 S**
Park (45) **Date of Patent:** **** Nov. 29, 2022**

(54) **COMBINED MIRROR WITH ATTACHED SHELVES**

(71) Applicant: **Umbra LLC**, Buffalo, NY (US)

(72) Inventor: **Sung Wook Park**, Toronto (CA)

(73) Assignee: **UMBRA LLC**, Buffalo, NY (US)

(**) Term: **15 Years**

(21) Appl. No.: **35/001,941**

(22) Filed: **Sep. 30, 2020**

(80) **Hague Agreement Data**

Int. Filing Date: **Sep. 30, 2020**

Int. Reg. No.: **DM/212382**

Int. Reg. Date: **Sep. 30, 2020**

Int. Reg. Pub. Date: **Feb. 5, 2021**

(51) **LOC (13) Cl.** **06-07**

(52) **U.S. Cl.**

USPC **D6/568**

(58) **Field of Classification Search**

USPC D6/300, 301, 303, 304, 308, 309, 310,
D6/312, 568; D21/578, 579; D26/51,
D26/52, 56, 61, 63, 64, 65
CPC A47G 1/02; A47G 1/24; A47G 2001/1673;
A47G 2200/08; A47G 2200/14; A47G
2200/143; A47G 2200/146; G06F 3/005;
G06F 3/011; G06F 3/041; G06F 3/167;
H04R 1/028; H04R 2430/01; A45D
2044/007; A45D 44/005; A45D 40/18;
A45D 33/32; G06T 2207/30201; B60R
1/12; B60R 2001/1269; G09F 13/12
See application file for complete search history.

(56) **References Cited**

U.S. PATENT DOCUMENTS

D116,618 S * 9/1939 Trojan D20/10
D122,679 S * 9/1940 Blomgren D6/568
D132,985 S * 7/1942 Lyons D6/673

D163,338 S * 5/1951 Sontag D6/568
D164,393 S * 8/1951 White D6/568
D174,339 S * 3/1955 Mecus D6/568
D250,307 S * 11/1978 McGarvey D6/568
D263,185 S * 3/1982 Scholl D6/300
D483,574 S * 12/2003 Wanek D6/309
D486,962 S * 2/2004 Snell D6/309
D543,763 S * 6/2007 Mayer D6/568
D566,974 S * 4/2008 Lee D6/300
D568,081 S * 5/2008 Thompson D6/568
D569,671 S * 5/2008 Thompson D6/568
D667,004 S * 9/2012 Goodrich D14/253
D724,360 S * 3/2015 Murchison D6/682.1
D724,362 S * 3/2015 Murchison D6/682.1
D727,478 S * 4/2015 Mayer D23/286
D804,196 S * 12/2017 Neri D6/309

(Continued)

OTHER PUBLICATIONS

Perch mirror, posted at vimeo.com, posted on Aug. 13, 2020, site visited Nov. 1, 2021. online, available from internet: <https://vimeo.com/447512089> (Year: 2020).*

Primary Examiner — Catherine Ho

(74) *Attorney, Agent, or Firm* — Simpson & Simpson, PLLC

(57) **CLAIM**

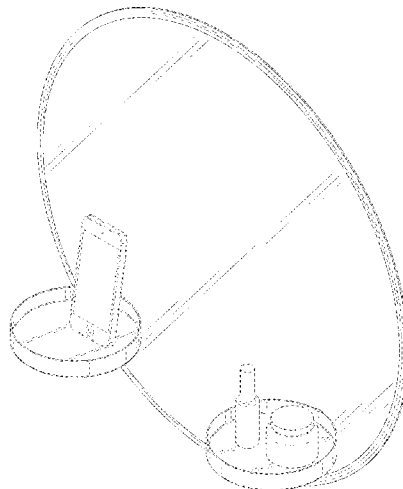
The ornamental design for a combined mirror with attached shelves, as shown and described.

DESCRIPTION

- 1.1** : is a front perspective view of a combined mirror with attached shelves of the present invention;
- 1.2** : is a front elevational view thereof;
- 1.3** : is a rear elevational view thereof;
- 1.4** : is a left side elevational view thereof;
- 1.5** : is a right side elevational view thereof;
- 1.6** : is a top plan view thereof; and
- 1.7** : is a bottom plan view thereof.

The broken lines show environmental structure and forms no part of the claimed design.

1 Claim, 7 Drawing Sheets



(56)

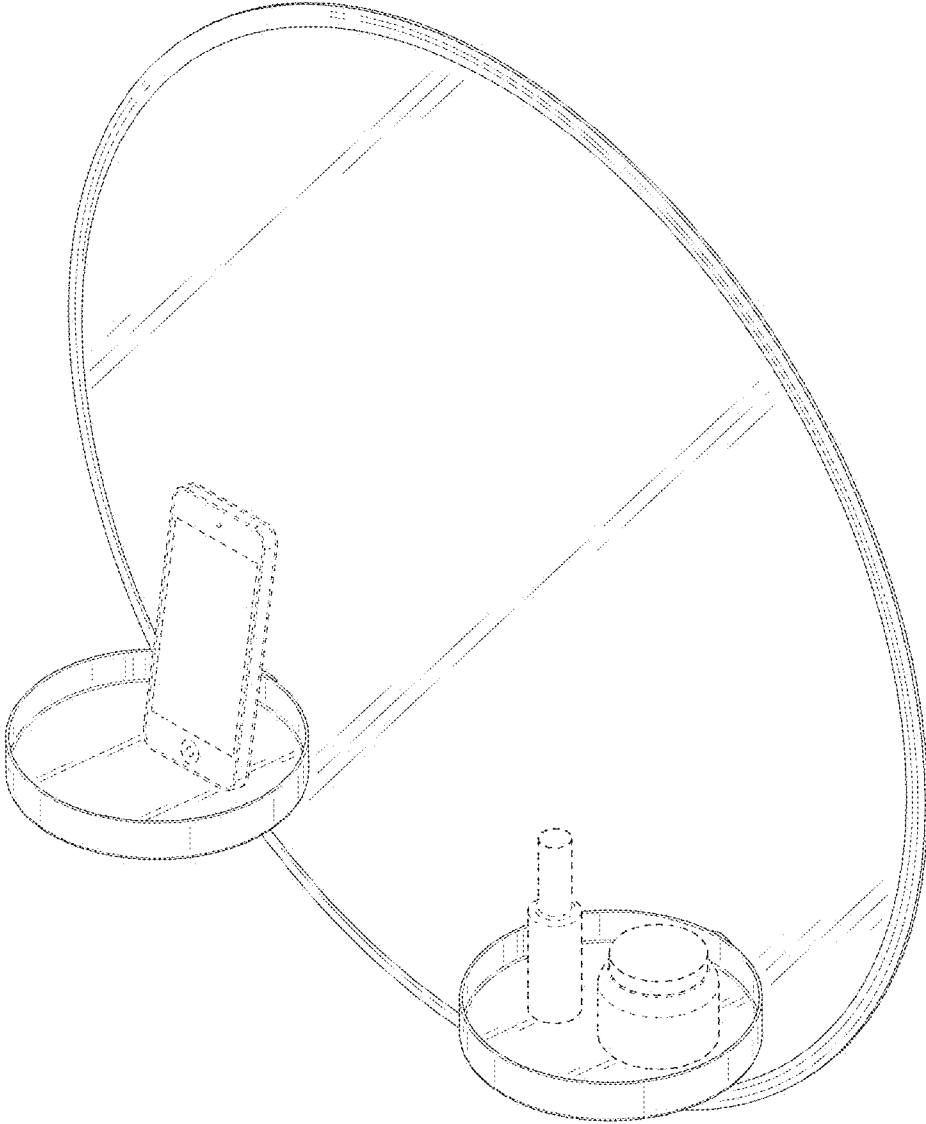
References Cited

U.S. PATENT DOCUMENTS

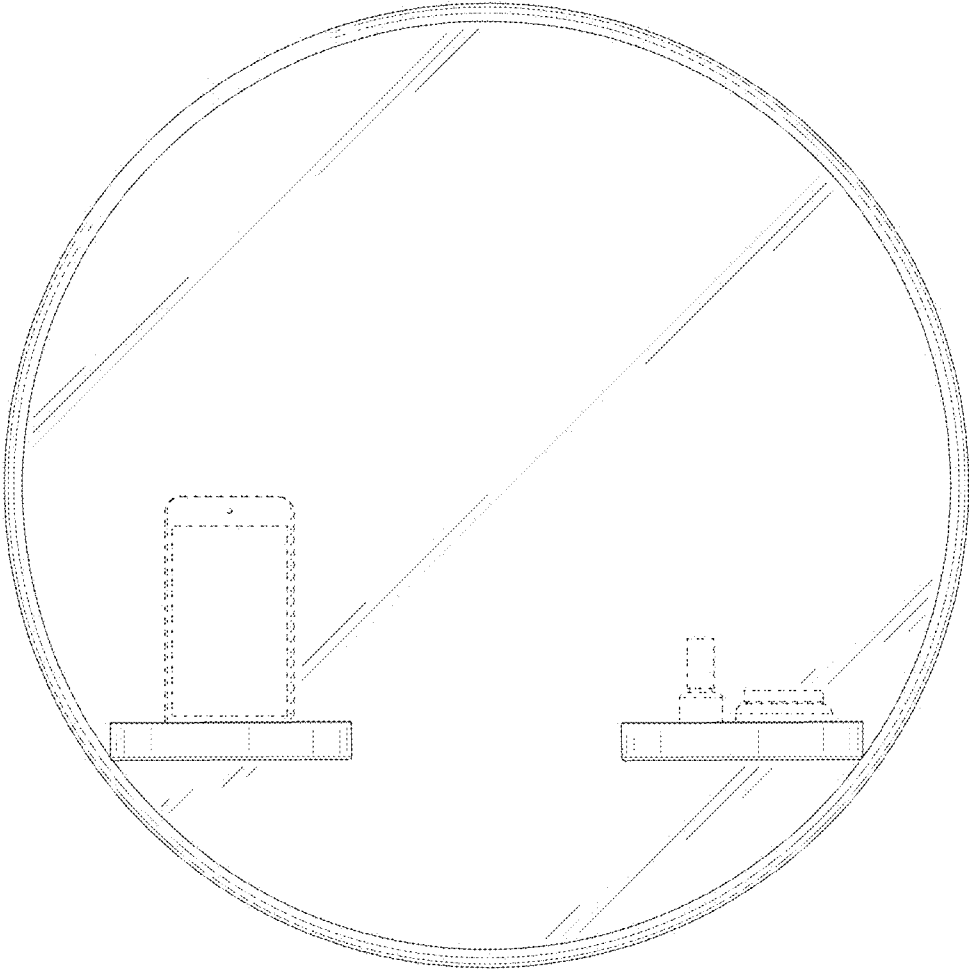
| | | | | | | |
|--------------|----|---|---------|-----------|-------|-----------------------|
| D849,422 | S | * | 5/2019 | Tai | | D5/99 |
| D898,967 | S | * | 10/2020 | Yang | | D26/51 |
| 10,935,231 | B2 | * | 3/2021 | Frydenger | | G03B 15/03 |
| D918,603 | S | * | 5/2021 | Bassant | | D6/309 |
| D923,946 | S | * | 7/2021 | Flaig | | D6/309 |
| D926,344 | S | * | 7/2021 | Arola | | D26/51 |
| 2005/0005824 | A1 | * | 1/2005 | McLemore | | A47F 5/0043 108/42 |

* cited by examiner

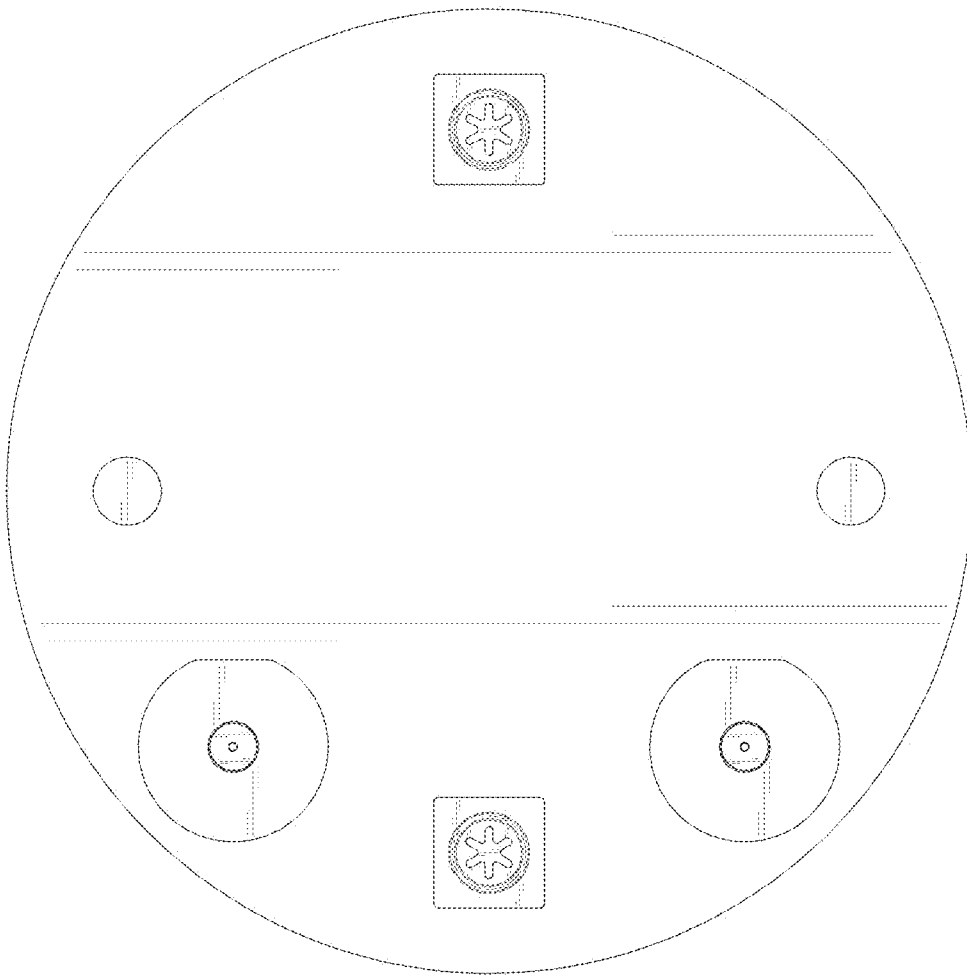
1.1



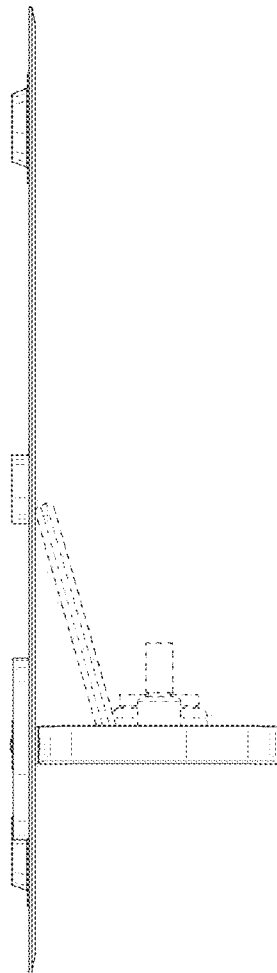
1.2



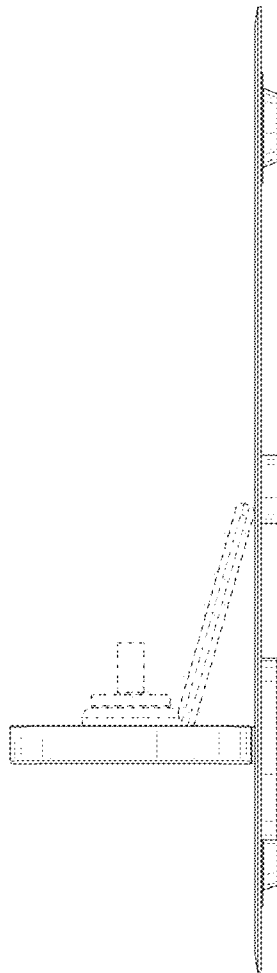
1.3

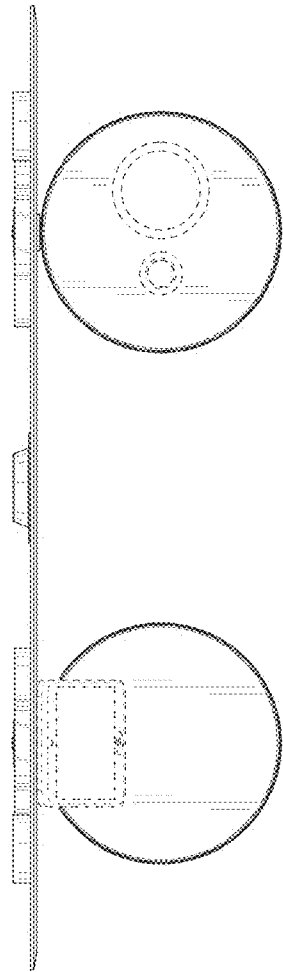


1.4

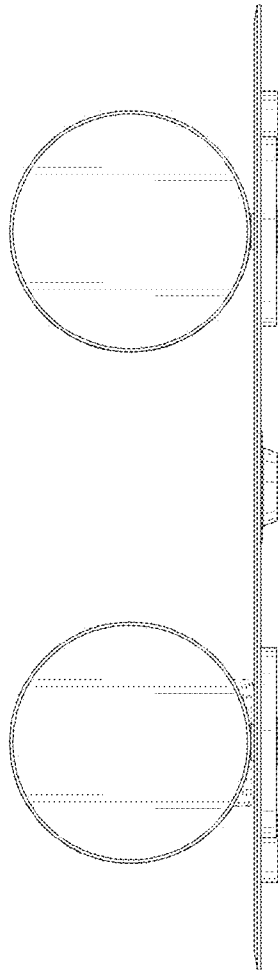


1.5





1.6



1.7