



US00D825841S

(12) **United States Design Patent**
Xu

(10) **Patent No.:** **US D825,841 S**

(45) **Date of Patent:** **** Aug. 14, 2018**

(54) **MICROVAPORIZER CARTRIDGE AND ATOMIZER ASSEMBLY**

(71) Applicant: **Yongjie James Xu**, Richmond, VA (US)

(72) Inventor: **Yongjie James Xu**, Richmond, VA (US)

(**) Term: **15 Years**

(21) Appl. No.: **29/602,262**

(22) Filed: **Apr. 28, 2017**

(51) **LOC (11) Cl.** **27-02**

(52) **U.S. Cl.**
USPC **D27/163**

(58) **Field of Classification Search**
USPC D27/101, 106, 108, 161, 163, 165, 169, D27/172, 174, 175, 183, 186-190, 193, D27/195, 131, 141, 142, 152, 153, 160; D24/110; 131/273, 274, 191, 330, 329, 131/328; 128/202.21, 203.12
CPC A24F 47/002; A24F 47/004; A24F 47/006; A24F 47/008; A61M 15/06
See application file for complete search history.

(56) **References Cited**

U.S. PATENT DOCUMENTS

D474,839 S *	5/2003	Francavilla	D24/129
6,803,550 B2 *	10/2004	Sharpe	H05B 6/105
				219/263
D570,951 S *	6/2008	Morita	D23/209
D687,999 S *	8/2013	Liu	D27/101
D724,264 S *	3/2015	Chambers	D27/101
D727,562 S *	4/2015	Li	D27/101
D729,440 S *	5/2015	Liu	D27/101
D732,733 S *	6/2015	Spagnolo	D27/101
D750,320 S *	2/2016	Verleur	A24F 47/008
				D27/101
D762,485 S *	8/2016	Facer	D9/719
D771,307 S *	11/2016	Wu	D27/101

D783,117 S *	4/2017	Gilbarte	D22/117
D785,861 S *	5/2017	Stoll	D27/152
D792,022 S *	7/2017	Li	D27/167
9,795,168 B2 *	10/2017	Zhu	A24F 47/008
9,795,169 B1 *	10/2017	Zhu	A24F 47/008
D804,718 S *	12/2017	Mathias	D27/162
D806,942 S *	1/2018	Qiu	D27/101
9,854,838 B1 *	1/2018	Laible	A24F 47/002

(Continued)

Primary Examiner — Susan Bennett Hattan

Assistant Examiner — Rebecca Tsehaye

(74) *Attorney, Agent, or Firm* — Nixon & Vanderhye P.C.

(57) **CLAIM**

I claim the ornamental designs for a microvaporizer cartridge and atomizer assembly, substantially as shown and described.

DESCRIPTION

FIG. 1 is a front perspective view of a microvaporizer cartridge and atomizer assembly while engaged in a microvaporizer;

FIG. 2 is a front perspective view of the microvaporizer cartridge and atomizer assembly;

FIG. 3 is a rear perspective view of the microvaporizer cartridge and atomizer assembly;

FIG. 4 is a top plan view of the microvaporizer cartridge and atomizer assembly, wherein the bottom plan view is identical to the top;

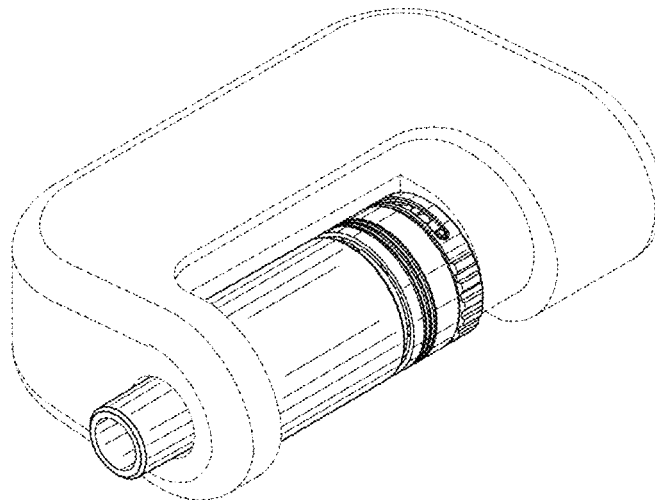
FIG. 5 is a right side view of the microvaporizer cartridge and atomizer assembly, wherein the left side view is a mirror image of the right side view;

FIG. 6 is a front view of the microvaporizer cartridge and atomizer assembly; and,

FIG. 7 is a rear view of the microvaporizer cartridge and atomizer assembly.

The broken lines shown in the drawings illustrate an environment for the microvaporizer cartridge and atomizer assembly that form no part of the claimed design.

1 Claim, 5 Drawing Sheets



(56)

References Cited

U.S. PATENT DOCUMENTS

9,861,140 B2* 1/2018 Wang A24F 47/008
2016/0295920 A1* 10/2016 Liu H05B 3/0014

* cited by examiner

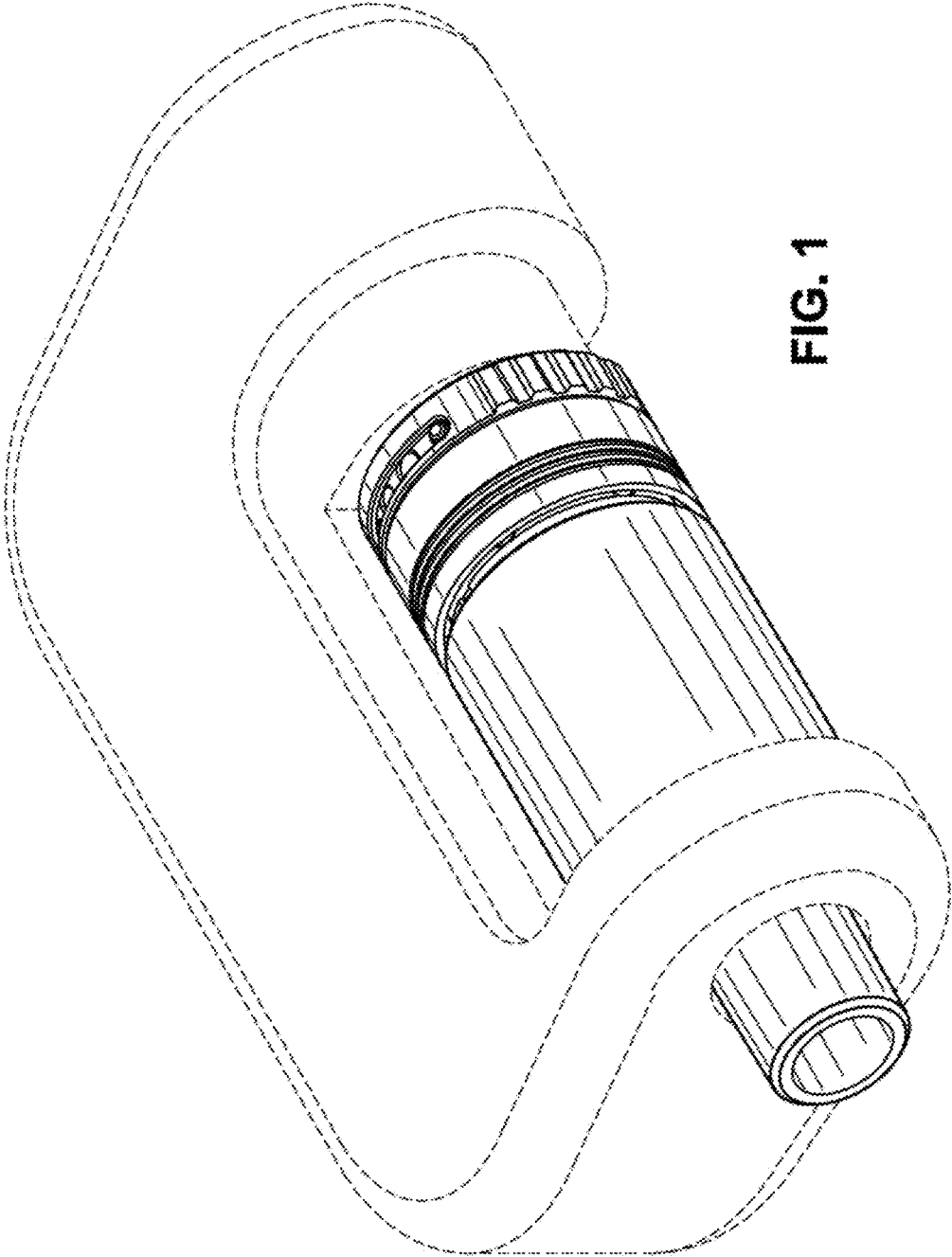


FIG. 1

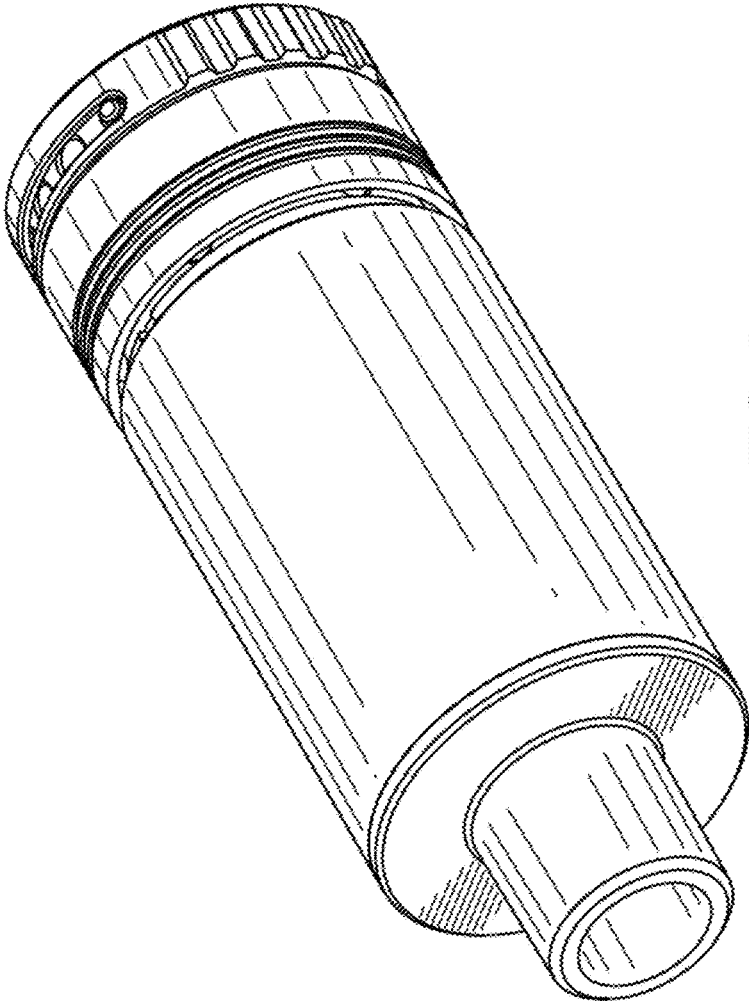


FIG. 2

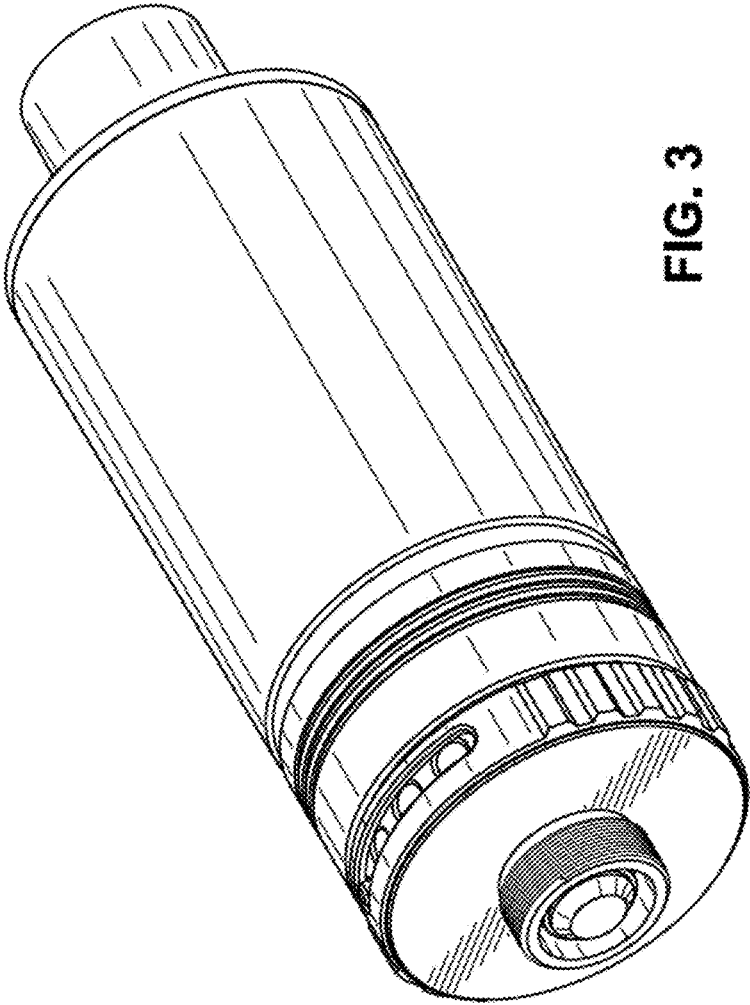


FIG. 3

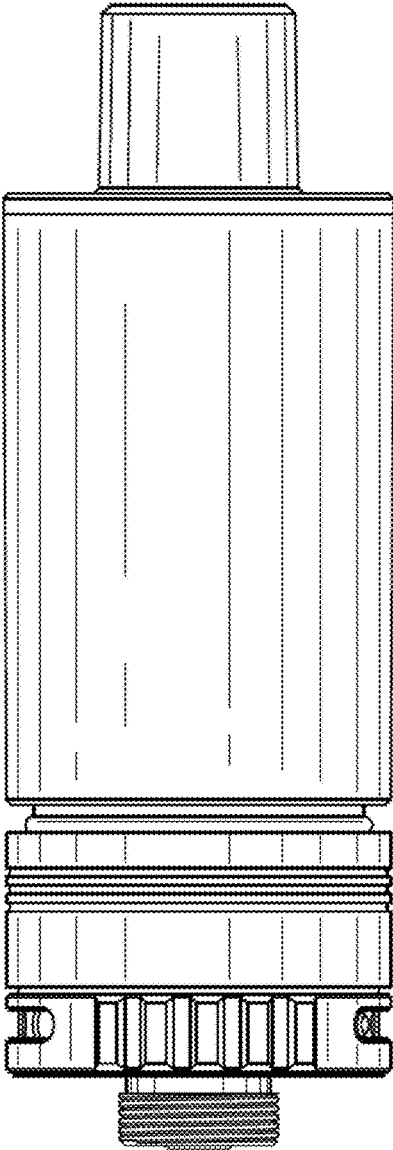


FIG. 4

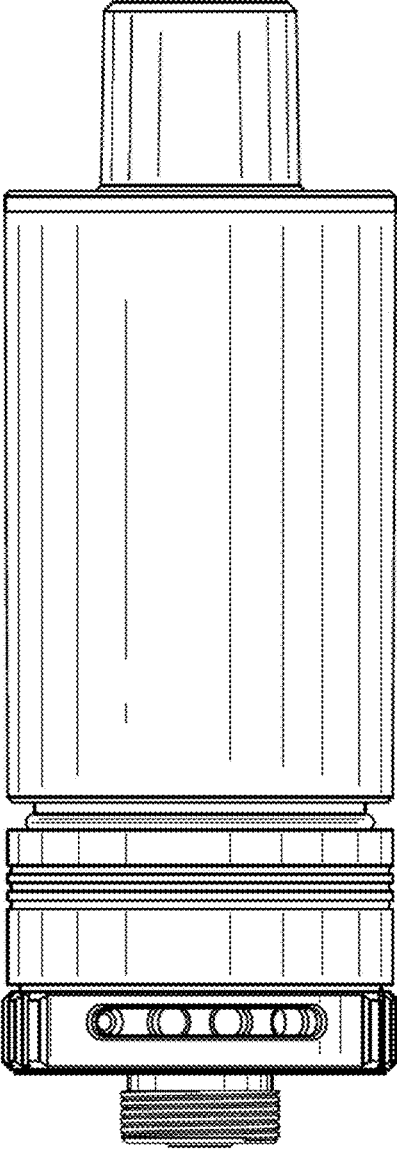


FIG. 5

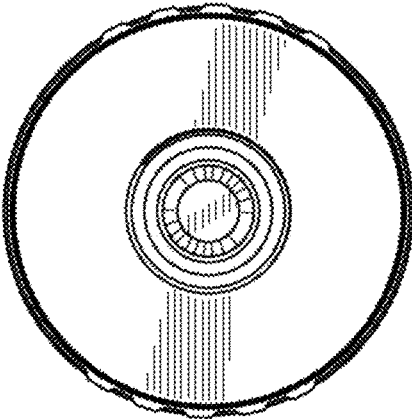


FIG. 7

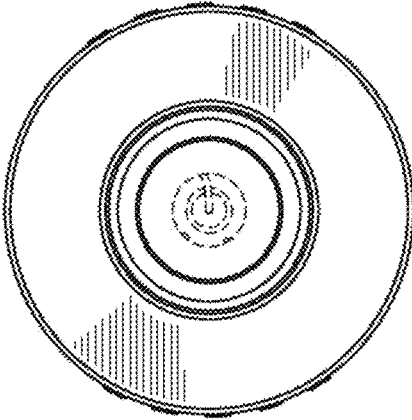


FIG. 6