



US0D1010605S

(12) **United States Design Patent**
Bezner et al.

(10) **Patent No.:** **US D1,010,605 S**

(45) **Date of Patent:** **** Jan. 9, 2024**

- (54) **PORTABLE AUDIO SPEAKER**
- (71) Applicant: **Turtlebox Audio, L.L.C.**, Houston, TX (US)
- (72) Inventors: **Jeffrey D. Bezner**, Deer Park, TX (US); **Reagan C. Fincher**, Houston, TX (US); **Jonathan M. McKenzie**, Houston, TX (US); **William D. Bradley**, Houston, TX (US)
- (73) Assignee: **Turtlebox Audio, L.L.C.**, Houston, TX (US)

D840,966 S *	2/2019	Cheney	D14/204
D870,063 S *	12/2019	Deyaf	D14/204
D886,797 S *	6/2020	Wang	D14/204
D903,628 S *	12/2020	Zeng	D14/196
D913,986 S *	3/2021	Suzuki	D14/204
D960,862 S *	8/2022	Zheng	D14/204

FOREIGN PATENT DOCUMENTS

CN	204887319 B1	12/2015
CN	304150950 S	5/2017

* cited by examiner

Primary Examiner — Janice Patyk

(74) *Attorney, Agent, or Firm* — The Ruble Law Firm, P.C.; Richard R. Ruble, Esq.

(**) Term: **15 Years**

(21) Appl. No.: **29/813,786**

(22) Filed: **Nov. 1, 2021**

(51) **LOC (14) Cl.** **14-01**

(52) **U.S. Cl.**

USPC **D14/204**

(58) **Field of Classification Search**

USPC D14/170–172, 188, 203.1, 203.3, 203.6, D14/204, 214, 216, 348; D26/51, 104
 CPC . H04R 1/02; H04R 1/023; H04R 5/02; H04R 7/00; H04R 7/02; H04R 9/06; H04R 2400/00

See application file for complete search history.

(56) **References Cited**

U.S. PATENT DOCUMENTS

D713,381 S *	9/2014	Riggs	D14/214
D713,382 S *	9/2014	Riggs	D14/215
D753,725 S *	4/2016	Palmer, Jr.	D14/204
D793,991 S *	8/2017	Wang	D14/204

(57) **CLAIM**

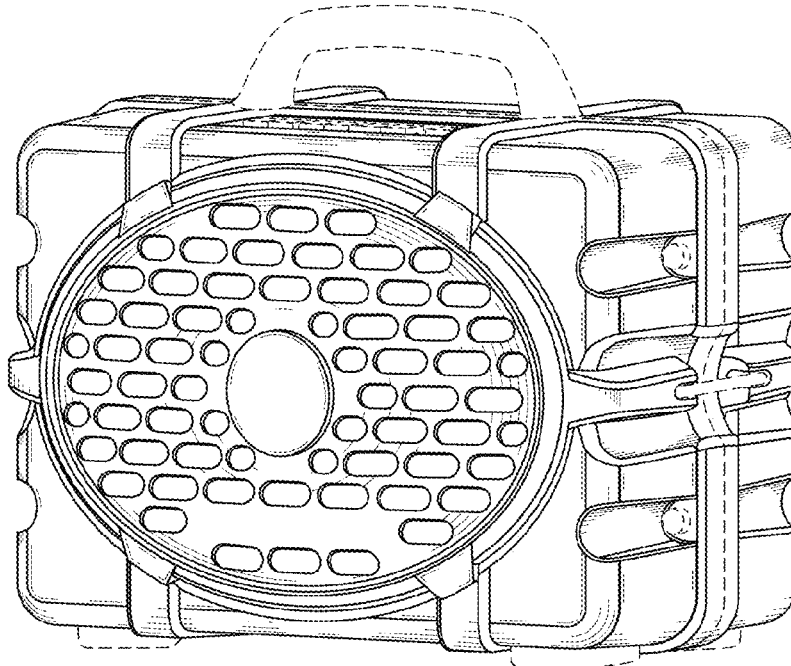
The ornamental design for a portable audio speaker, as shown and described.

DESCRIPTION

FIG. 1 is a front perspective view of a portable audio speaker showing our new design;
 FIG. 2 is a rear perspective view thereof;
 FIG. 3 is a front view thereof;
 FIG. 4 is a rear view thereof;
 FIG. 5 is a top view thereof;
 FIG. 6 is a bottom view thereof;
 FIG. 7 is a left side view thereof; and,
 FIG. 8 is a right side view thereof.

The broken lines in the Figures illustrate the portions of the portable audio speaker and form no part of the claimed design. Further, the broken lines along the periphery of the closure in FIGS. 1, 2, 5-8 are included to show the unclaimed seam on the article.

1 Claim, 4 Drawing Sheets



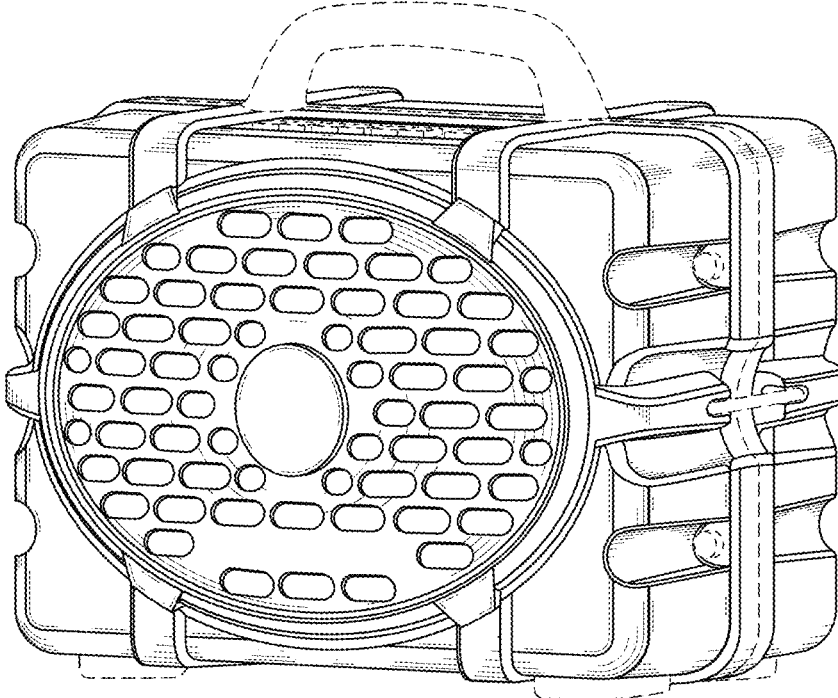


FIG. 1

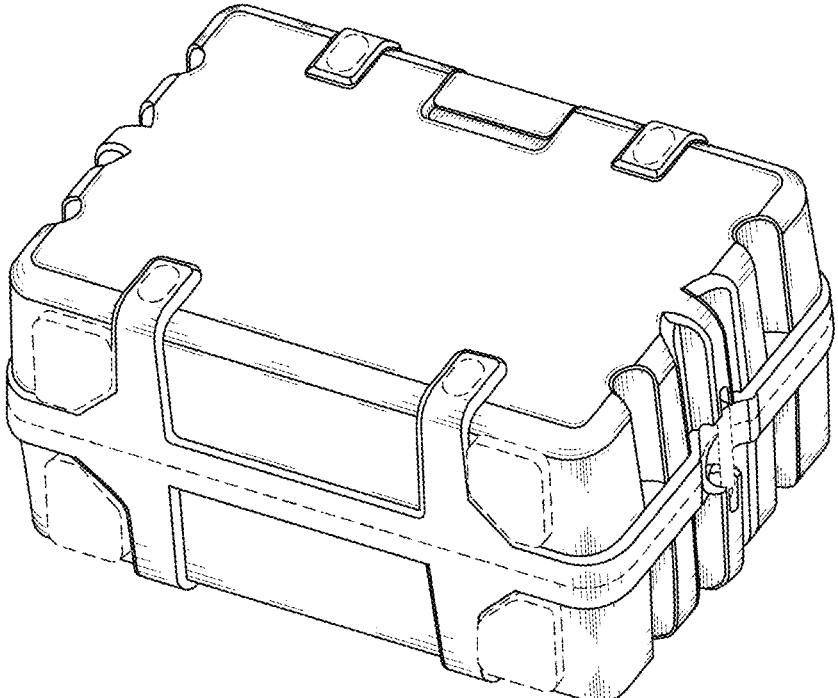


FIG. 2

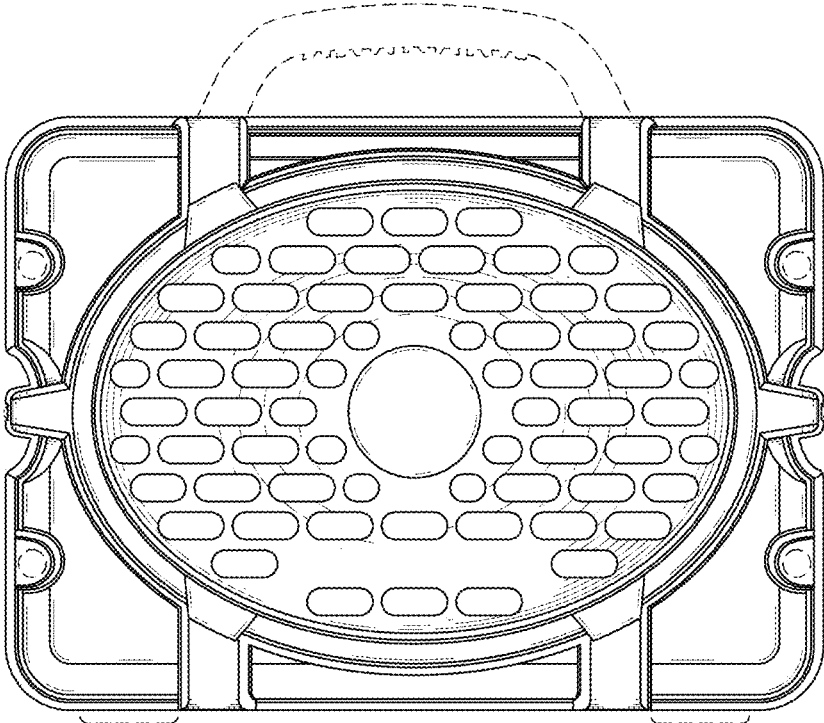


FIG. 3

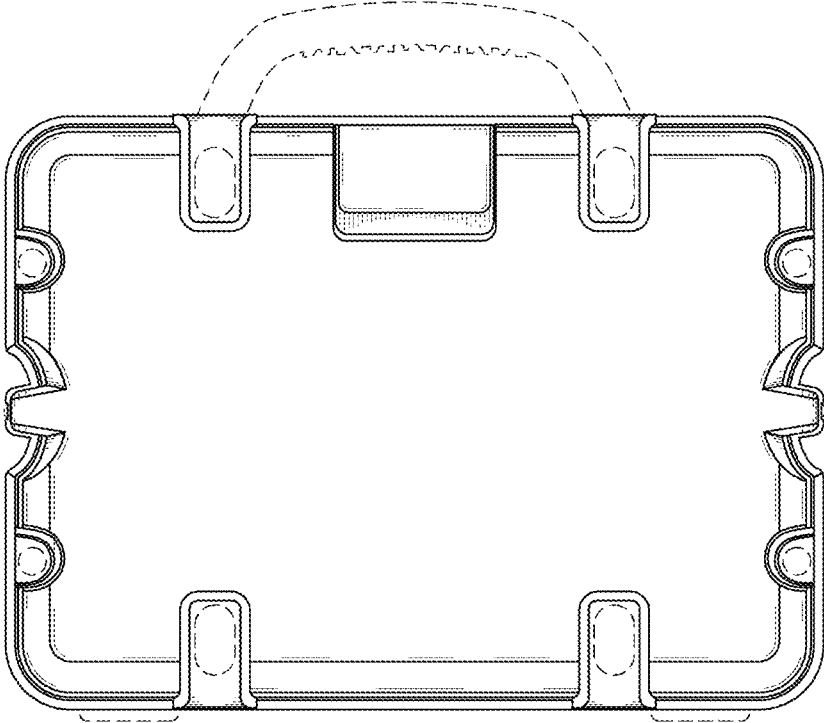


FIG. 4

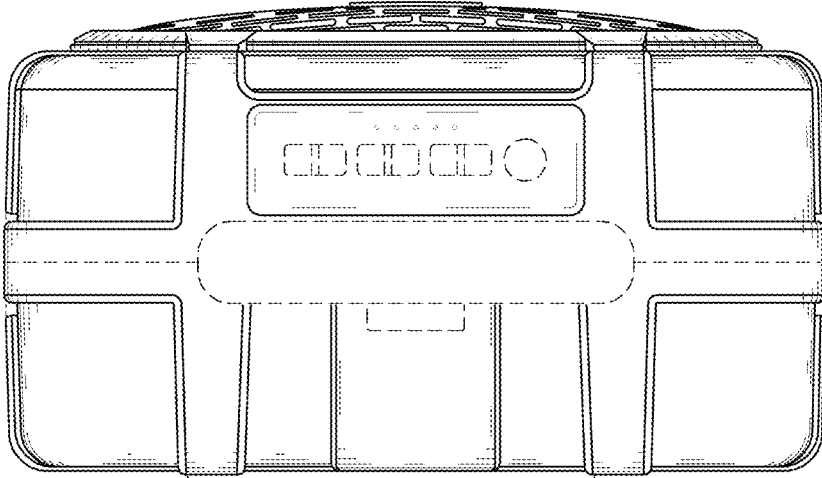


FIG. 5

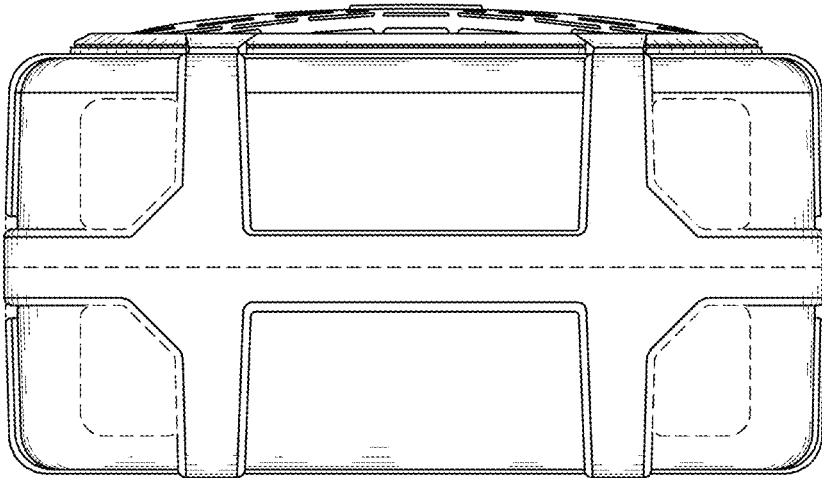


FIG. 6

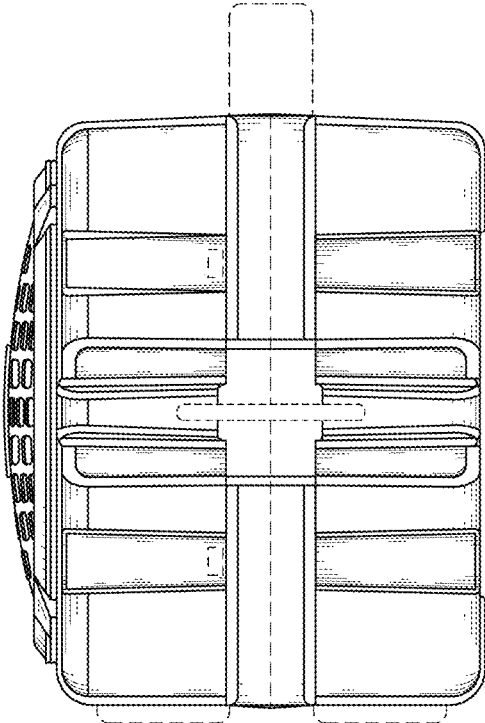


FIG. 7

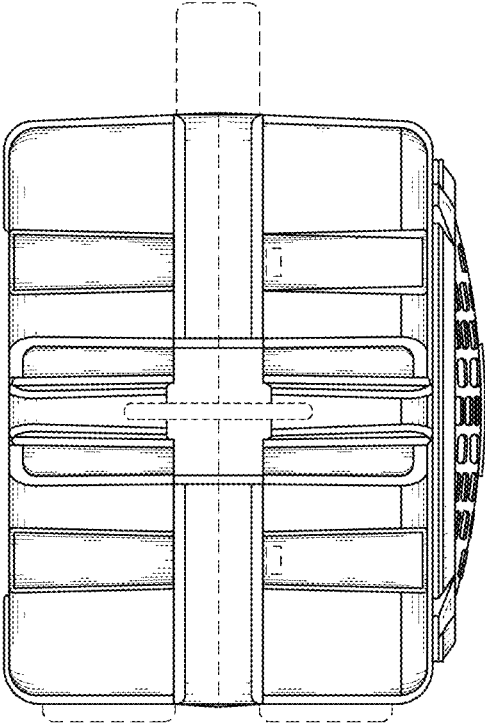


FIG. 8