



US00D976792S

(12) **United States Design Patent** (10) **Patent No.:** **US D976,792 S**
Zhao (45) **Date of Patent:** **** Jan. 31, 2023**

(54) **AUTOMOBILE WHEEL**

FOREIGN PATENT DOCUMENTS

(71) Applicant: **WAH HUNG GROUP INC.**, Monterey Park, CA (US)
(72) Inventor: **John Zhao**, Monterey Park, CA (US)
(73) Assignee: **WAH HUNG GROUP INC.**, Monterey Park, CA (US)
(**) Term: **15 Years**

CN	304103503	*	4/2017
CN	304257177	*	8/2017
CN	304593096	*	4/2018
CN	304634781	*	5/2018
CN	305036634	*	2/2019
CN	305412354	*	11/2019
CN	305649675	*	3/2020
CN	305724216	*	4/2020
CN	305827544	*	6/2020
CN	305886351	*	6/2020
CN	305964698	*	8/2020

(Continued)

(21) Appl. No.: **29/767,296**

(22) Filed: **Jan. 21, 2021**

OTHER PUBLICATIONS

(51) **LOC (14) Cl.** **12-16**
(52) **U.S. Cl.**

USPC **D12/211**

(58) **Field of Classification Search**

USPC D12/204–213; D21/563
CPC B60B 7/00; B60B 7/02; B60B 7/04; B60B 7/06; B60B 3/02; B60B 3/04; B60B 3/06; B60B 3/10; B60B 1/08; B60B 1/10; B60B 1/12

See application file for complete search history.

Touren TR60 Black/Machined Face/Black Ring Wheel with Alloy Steel (16 × 7. inches /100 × 100 mm, , available in Amazon.com, customer review oldest date Oct. 4, 2012 [online], [Jun. 27, 2022], Available from the internet URL: https://www.amazon.com/Touren-Machined-Offset-Partnumber-3260-6703B/dp/B009LR3XRK/ref=sr_1_125?c.*

(Continued)

(56) **References Cited**

Primary Examiner — Darlington Ly
Assistant Examiner — D. Ryan Tisdale
(74) *Attorney, Agent, or Firm* — Payam Moradian

U.S. PATENT DOCUMENTS

D480,035 S *	9/2003	Frohlich	D12/211
D571,704 S *	6/2008	Kahn	D12/211
D636,320 S *	4/2011	Lamm	D12/211
D685,309 S *	7/2013	Alfonso	D12/209
D723,990 S *	3/2015	Muntada Roura	D12/209
D733,024 S *	6/2015	Valencia Pollex	D12/209
D774,436 S *	12/2016	Valencia Pollex	D12/209
D784,897 S *	4/2017	Zhao	D12/211
D788,673 S *	6/2017	Krause	D12/209
D819,538 S *	6/2018	Badstuebner	D12/211
D883,891 S *	5/2020	Johnson	D12/209
D895,520 S *	9/2020	Badstuebner	D12/209
D941,217 S *	1/2022	Gilbrich	B60B 3/02 D12/209

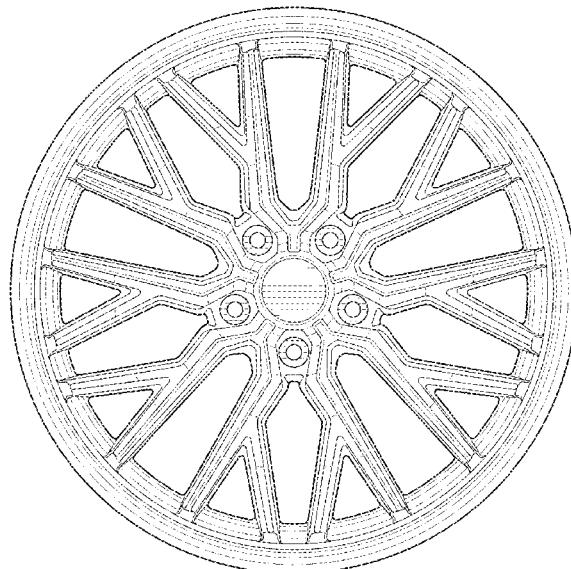
(57) **CLAIM**

I claim the ornamental design for an automobile wheel, as shown and described.

DESCRIPTION

FIG. 1 is a front elevational view of an automobile wheel, showing my new design; and, FIG. 2 is a perspective view thereof. The broken lines in the drawings illustrate portions of the automobile wheel that form no part of the claimed design.

1 Claim, 2 Drawing Sheets



(56)

References Cited

FOREIGN PATENT DOCUMENTS

CN	306174750	*	11/2020
CN	306241829	*	12/2020
CN	306328197	*	2/2021
CN	306694886	*	7/2021
CN	306933703	*	11/2021
CN	307094249	*	2/2022
CN	307100600	*	2/2022
CN	307309288	*	5/2022
EM	003121763-0002	*	5/2018
EM	003396423-0004	*	4/2019
EM	008220214-0001	*	11/2020
EM	008613285-0006	*	11/2021
GB	8203271000-3000	*	8/2019
GB	9007307277-0001	*	11/2019
GB	9007732813-0001	*	3/2020
JP	D1569505	*	2/2017
WO	D208941-001	*	9/2020
WO	D203651-009	*	9/2021

OTHER PUBLICATIONS

John Zhao's Patents, May 2018.

Ernie Alfonso's Patents, May 2018.

* cited by examiner

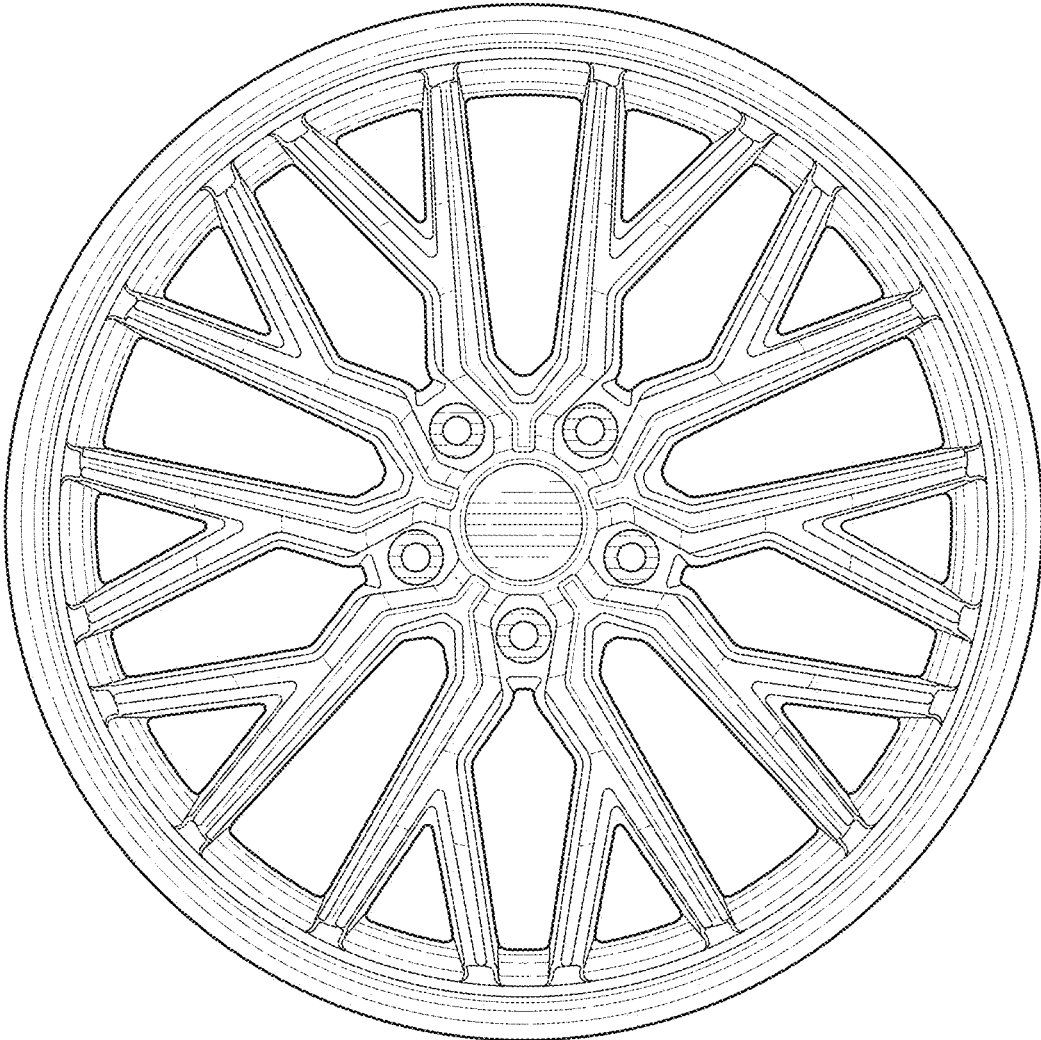


FIG. 1

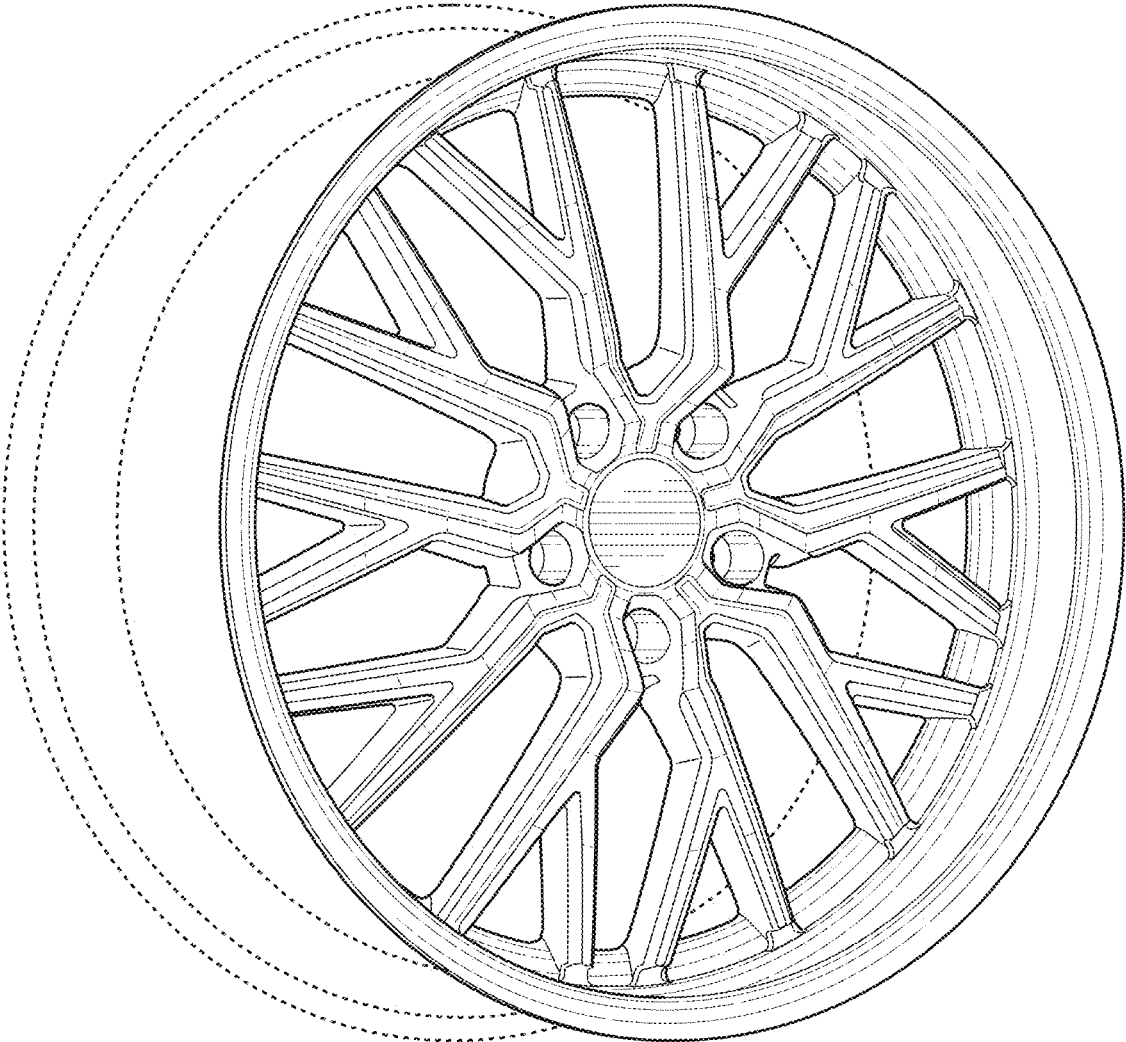


FIG. 2