



US00D907722S

(12) **United States Design Patent**
Fang

(10) **Patent No.:** **US D907,722 S**

(45) **Date of Patent:** **** Jan. 12, 2021**

(54) **TREADMILL**

(71) Applicant: **Shenzhen Shifeier Technology Co., Ltd.**, Shenzhen (CN)

(72) Inventor: **Jiale Fang**, Shenzhen (CN)

(**) Term: **15 Years**

(21) Appl. No.: **29/740,398**

(22) Filed: **Jul. 2, 2020**

(51) **LOC (13) Cl.** **21-02**

(52) **U.S. Cl.**
USPC **D21/669**

(58) **Field of Classification Search**
USPC 482/54, 2, 51, 8, 70, 146; D21/668, 669;
198/439, 456; D30/160; 601/35, 23, 5,
601/34

CPC . A63B 22/02; A63B 22/0023; A63B 22/0235;
A63B 2210/50; A63B 22/0285; A63B
22/0242; A63B 2022/025; A63B 2225/30;
A63B 2022/14; A63B 2220/13; A63B
2022/0228; A63B 2210/56; A63B
2024/0093; A63B 2022/0207; A63B
22/0012; A63B 22/0257; A61H 3/008;
A61H 1/0262; A61H 2201/164; A01K
15/027

See application file for complete search history.

(56) **References Cited**

U.S. PATENT DOCUMENTS

4,151,988	A *	5/1979	Nabinger	A63B 22/02
					188/72.9
D280,002	S *	8/1985	Smith	D21/669
4,614,336	A *	9/1986	Taitel	A63B 21/015
					482/54
4,757,987	A *	7/1988	Allemand	A63B 22/02
					482/54
4,776,582	A *	10/1988	Ramhorst	A63B 22/0023
					482/54

D303,557	S *	9/1989	Kiiski	D21/669
D304,849	S *	11/1989	Watterson	D21/669
D306,468	S *	3/1990	Watterson	D21/669
D306,891	S *	3/1990	Watterson	D21/669
5,018,722	A *	5/1991	Whitmore	A63B 22/02
					482/54
5,029,801	A *	7/1991	Dalebout	A63B 22/0023
					248/649
D325,951	S *	5/1992	Johnson	D21/669
D344,557	S *	2/1994	Ashby	482/54
D348,494	S *	7/1994	Ashby	D21/694
5,378,213	A *	1/1995	Quint	A63B 22/02
					198/849

(Continued)

Primary Examiner — Ryan Harvey

(74) *Attorney, Agent, or Firm* — ZANIP

(57) **CLAIM**

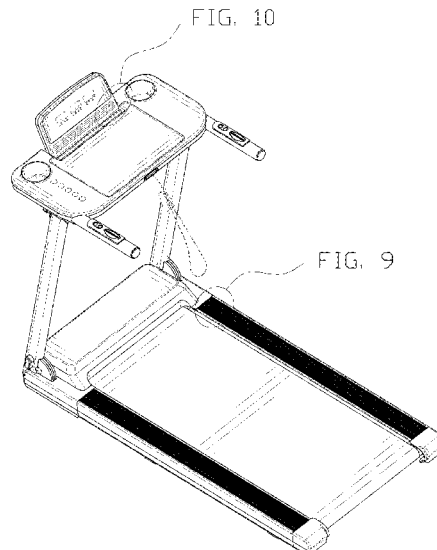
The ornamental design for a treadmill, as shown and described.

DESCRIPTION

FIG. 1 is a front and top perspective view of a treadmill, showing my new design;
 FIG. 2 is a rear and bottom perspective view thereof;
 FIG. 3 is a front elevational view thereof;
 FIG. 4 is a rear elevational view thereof;
 FIG. 5 is a left side elevational view thereof;
 FIG. 6 is a right side elevational view thereof;
 FIG. 7 is a top plan view thereof;
 FIG. 8 is a bottom plan view thereof;
 FIG. 9 is an enlarged view of a portion labeled, 'FIG. 9', in FIG. 1; and,
 FIG. 10 is an enlarged view of a portion labeled, 'FIG. 10', in FIG. 1.

The dashed broken lines in the figures illustrate portions of the article that form no part of the claimed design. The dash dot dash lines in FIGS. 1, 9 and 10 are for the purpose of depicting the cut line of the enlarged view and form no part of the claim.

1 Claim, 10 Drawing Sheets



US D907,722 S

(56)

References Cited

U.S. PATENT DOCUMENTS

D355,227 S *	2/1995	Summers	D21/669	D707,763 S *	6/2014	Cutler	D21/669
D369,843 S *	5/1996	Wang	D21/669	8,926,479 B2 *	1/2015	Chen	A63B 22/02 482/54
D374,260 S *	10/1996	Snyderman	D21/669	9,138,615 B2 *	9/2015	Olson	A63B 22/0023
5,607,375 A *	3/1997	Dalebout	A63B 22/0023 482/51	D751,156 S *	3/2016	Tasca	D21/669
5,643,144 A *	7/1997	Trulaske	A63B 22/02 198/841	9,364,706 B2 *	6/2016	Lo	A63B 22/00
5,711,745 A *	1/1998	Yang	A63B 22/02 482/51	D831,131 S *	10/2018	Zha	D21/669
D393,297 S *	4/1998	McBride	D21/669	D854,101 S *	7/2019	Kruse	D21/669
5,746,682 A *	5/1998	Hung	A63B 22/02 482/51	D859,543 S *	9/2019	Lisi	D21/669
5,816,981 A *	10/1998	Hung	A63B 22/02 482/54	D888,845 S *	6/2020	Luo	D21/669
5,904,637 A *	5/1999	Kuo	A63B 22/02 482/54	D889,569 S *	7/2020	Luo	D21/669
D413,366 S *	8/1999	Husted	D21/668	2001/0049323 A1 *	12/2001	Fox	A63B 22/0023 482/54
D414,518 S *	9/1999	Wang	D21/669	2003/0060331 A1 *	3/2003	Polk, III	A63B 22/0235 482/20
D416,298 S *	11/1999	Onuma	D21/669	2004/0132586 A1 *	7/2004	Leighton	A63B 22/0207 482/54
6,042,514 A *	3/2000	Abelbeck	A63B 22/02 198/439	2005/0130807 A1 *	6/2005	Cutler	A63B 22/0023 482/54
D424,137 S *	5/2000	Barker	D21/669	2006/0122037 A1 *	6/2006	Chou Lin	A63B 22/0235 482/54
6,179,753 B1 *	1/2001	Barker	A63B 22/0235 482/51	2006/0122038 A1 *	6/2006	Chou Lin	A63B 22/0235 482/54
6,234,937 B1 *	5/2001	Yu	A63B 22/02 482/54	2006/0160665 A1 *	7/2006	Tai	A63B 22/0023 482/54
6,302,826 B1 *	10/2001	Lee	A63B 22/02 482/51	2008/0176719 A1 *	7/2008	To	A63B 22/0235 482/54
6,390,955 B1 *	5/2002	Wang	A63B 22/02 482/54	2009/0005224 A1 *	1/2009	Davis	A63B 22/02 482/54
6,394,933 B1 *	5/2002	Yu	A63B 22/02 482/54	2009/0042698 A1 *	2/2009	Wang	A63B 22/02 482/54
D458,654 S *	6/2002	Kiiski	D21/669	2009/0111666 A1 *	4/2009	Wang	A63B 22/0235 482/54
D464,690 S *	10/2002	San-Ching	D21/669	2009/0170666 A1 *	7/2009	Chiang	A63B 22/02 482/54
D465,250 S *	11/2002	San-Ching	D21/669	2011/0021323 A1 *	1/2011	Wu	A63B 22/0235 482/54
6,527,678 B1 *	3/2003	Wang	A63B 22/0235 482/51	2012/0283070 A1 *	11/2012	Lai	A63B 22/02 482/54
D484,554 S *	12/2003	Hellman, Jr.	D21/669	2013/0184125 A1 *	7/2013	Maguire	A63B 21/225 482/54
6,663,540 B1 *	12/2003	Huang	A63B 22/02 482/54	2013/0231219 A1 *	9/2013	Huang	A63B 22/0023 482/54
6,685,599 B2 *	2/2004	Wang	A63B 22/02 482/54	2014/0066263 A1 *	3/2014	Huang	A63B 24/0087 482/54
6,761,669 B1 *	7/2004	Pan	A63B 22/02 482/51	2014/0076206 A1 *	3/2014	McCabe	A47B 57/30 108/5
D494,234 S *	8/2004	Sporie	D21/669	2014/0113770 A1 *	4/2014	Yim	A63B 22/0023 482/8
6,786,853 B2 *	9/2004	Wu	A63B 22/0257 482/54	2014/0121066 A1 *	5/2014	Huang	A63B 22/02 482/54
D500,348 S *	12/2004	Parise	D21/669	2014/0221167 A1 *	8/2014	Wu	A63B 22/0235 482/54
6,860,838 B2 *	3/2005	Fox	A63B 22/0235 193/35 J	2014/0274579 A1 *	9/2014	Olson	A63B 22/0023 482/54
6,884,201 B2 *	4/2005	Wu	A63B 22/0023 482/54	2016/0096064 A1 *	4/2016	Gatti	A63B 22/02 482/54
6,887,185 B1 *	5/2005	Kuo	A63B 22/02 482/54	2016/0279465 A1 *	9/2016	Chang	A63B 22/02 482/54
7,367,926 B2 *	5/2008	Clark	A63B 22/0235 482/54	2016/0287930 A1 *	10/2016	Moser	A63B 22/0207
D607,067 S *	12/2009	Wu	D21/669	2016/0346618 A1 *	12/2016	Ashby	G09B 19/0038
7,815,550 B2 *	10/2010	Watterson	A63B 22/02 482/54	2017/0113093 A1 *	4/2017	Bellavista	A63B 22/0023
7,828,699 B2 *	11/2010	P'erez De Lazarraga	A63B 22/02 482/54	2017/0333747 A1 *	11/2017	Athey	A63B 22/0228
8,079,939 B1 *	12/2011	Wang	A63B 22/0235 482/54	2017/0333751 A1 *	11/2017	Seol	A63B 24/0062
D657,833 S	4/2012	Cloutier		2018/0043207 A1 *	2/2018	Moser	A63B 22/0207
D690,782 S *	10/2013	Perkins	D21/669	2018/0056132 A1 *	3/2018	Foley	A63B 71/0622
D704,778 S *	5/2014	Decommer	D21/669	2018/0126249 A1 *	5/2018	Consiglio	A63B 71/0619
				2018/0140903 A1 *	5/2018	Poure	A63B 24/0087
				2019/0192952 A1 *	6/2019	Powell	A63B 22/0221
				2019/0290956 A1 *	9/2019	Ren	A63B 22/0235

* cited by examiner

FIG. 10

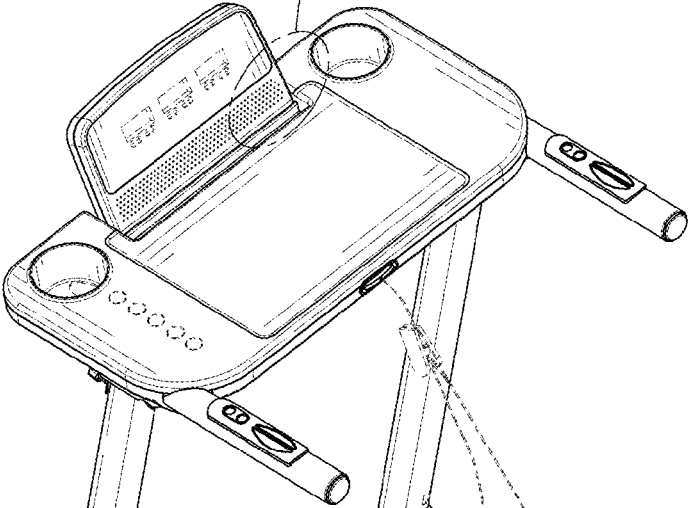


FIG. 9

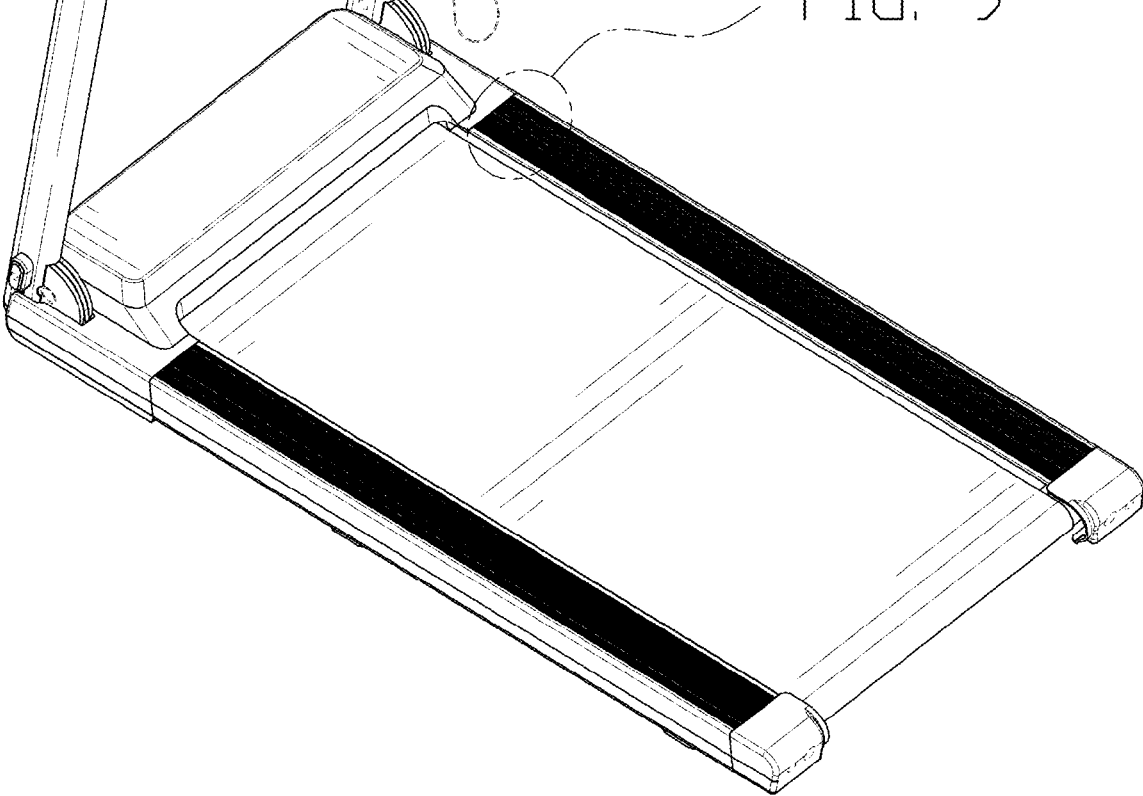


FIG. 1

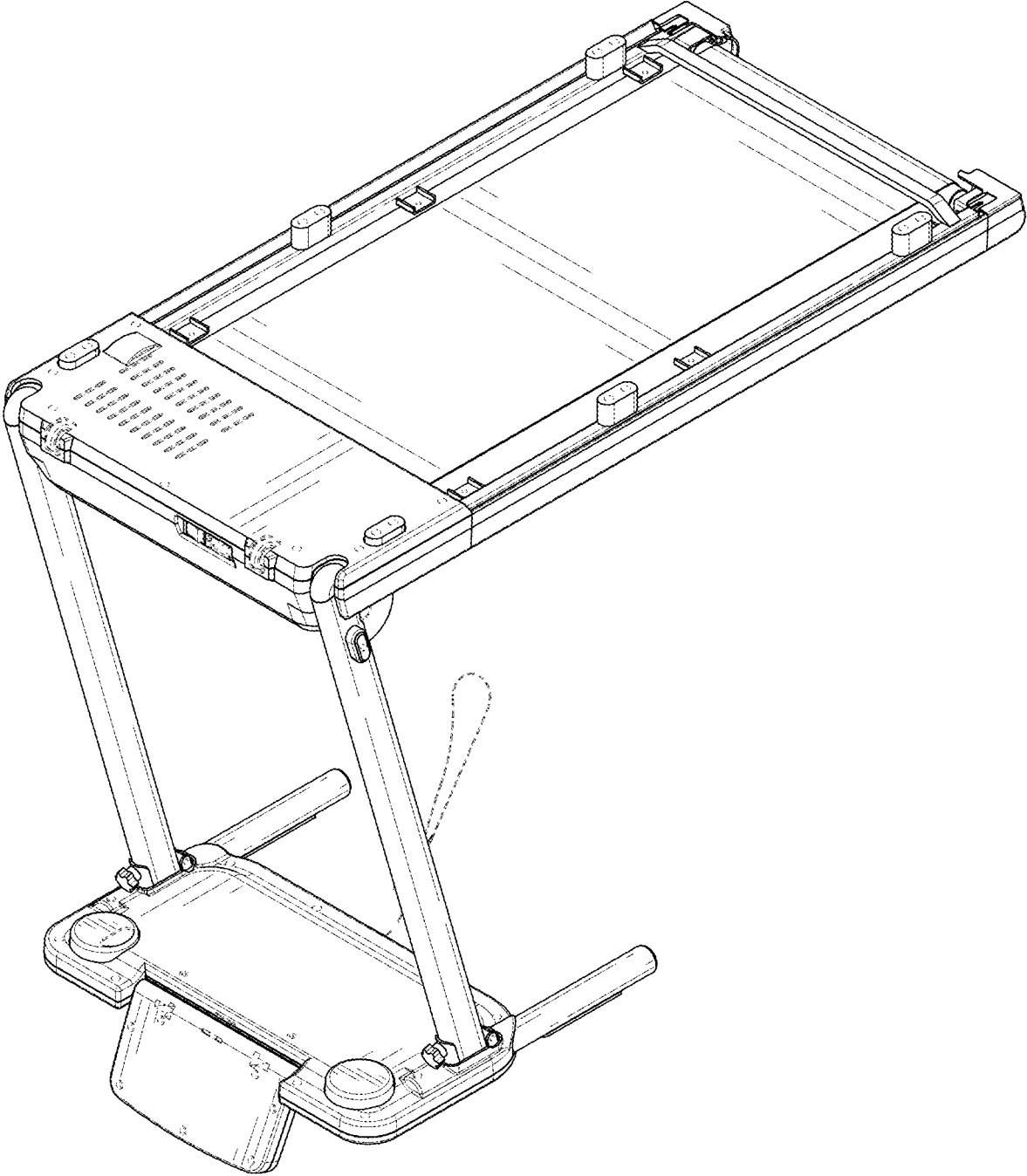


FIG. 2

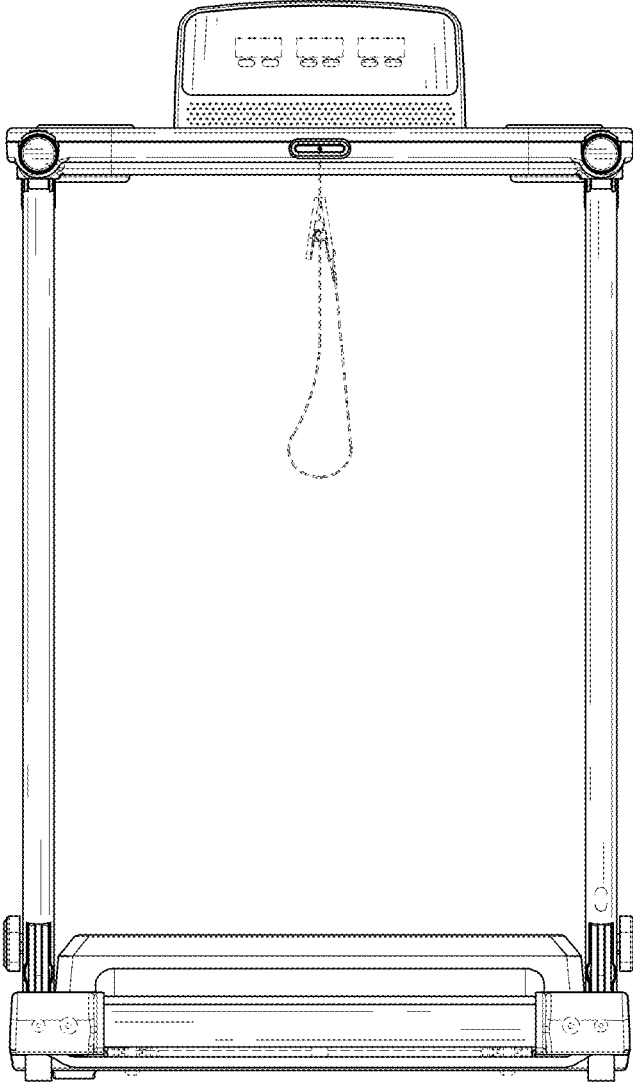


FIG. 3

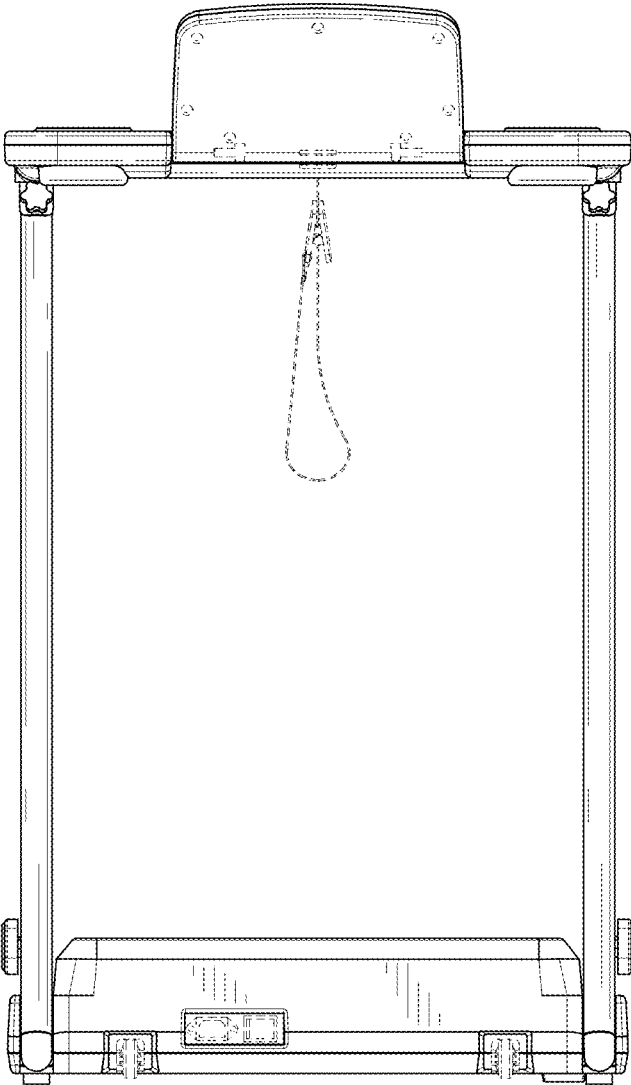


FIG. 4

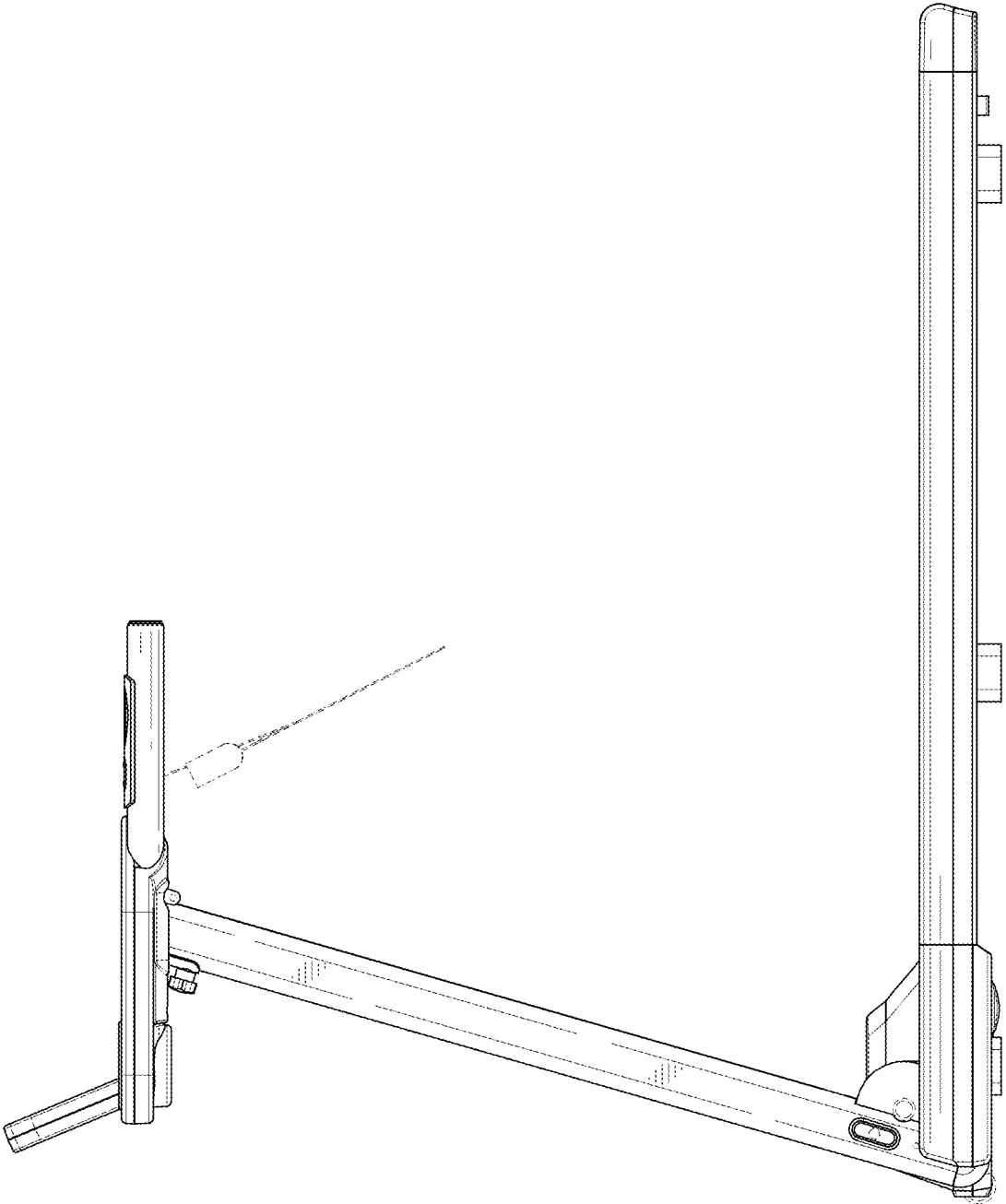


FIG. 5

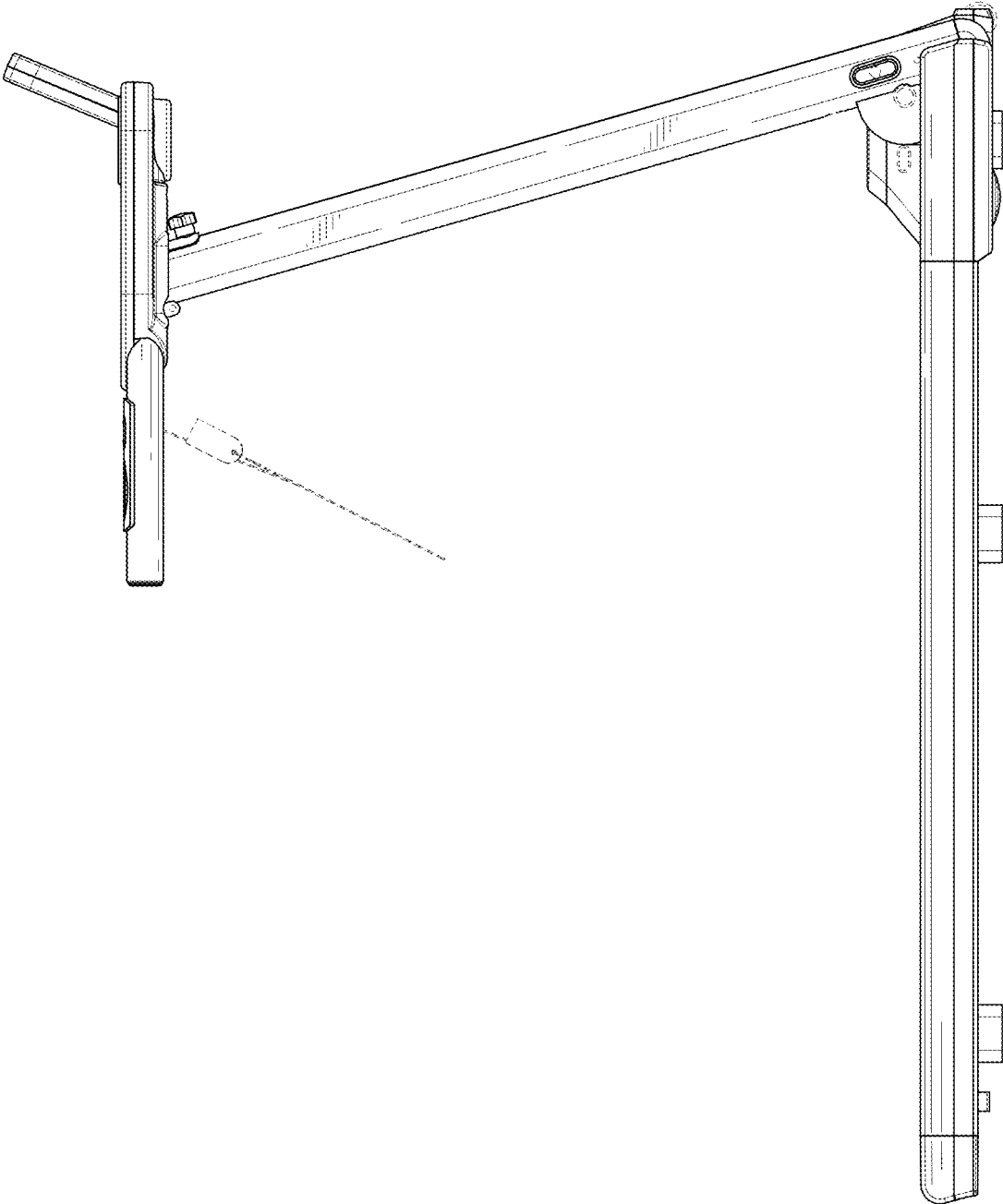


FIG. 6

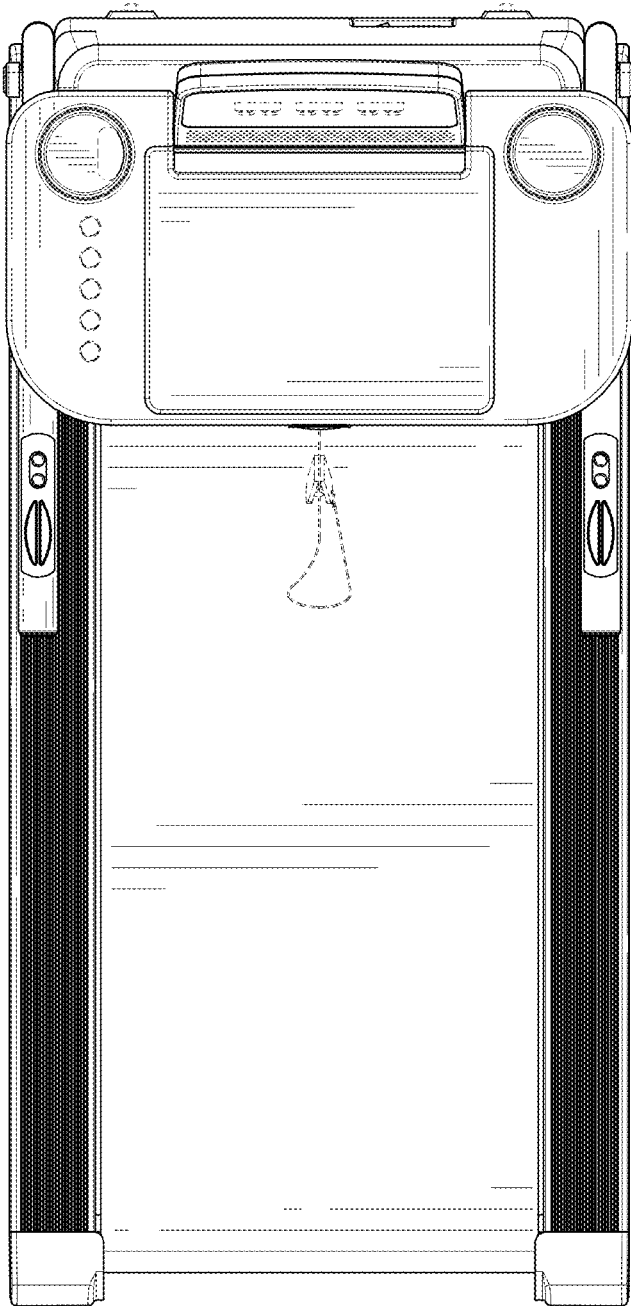


FIG. 7

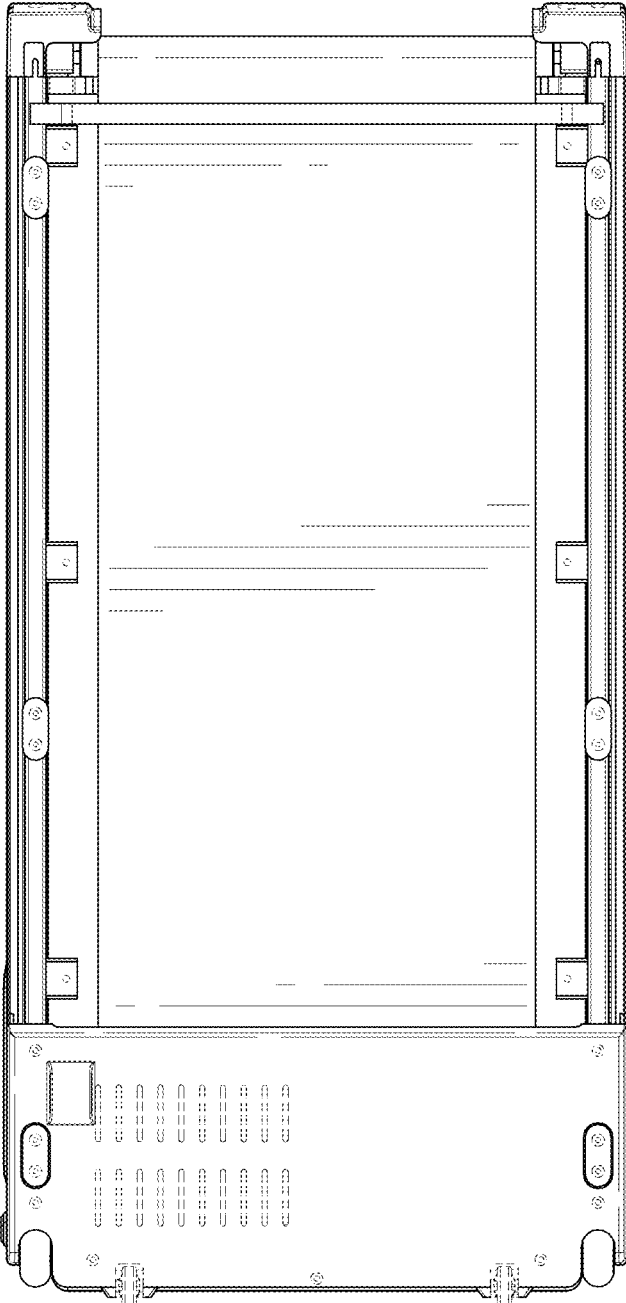


FIG. 8

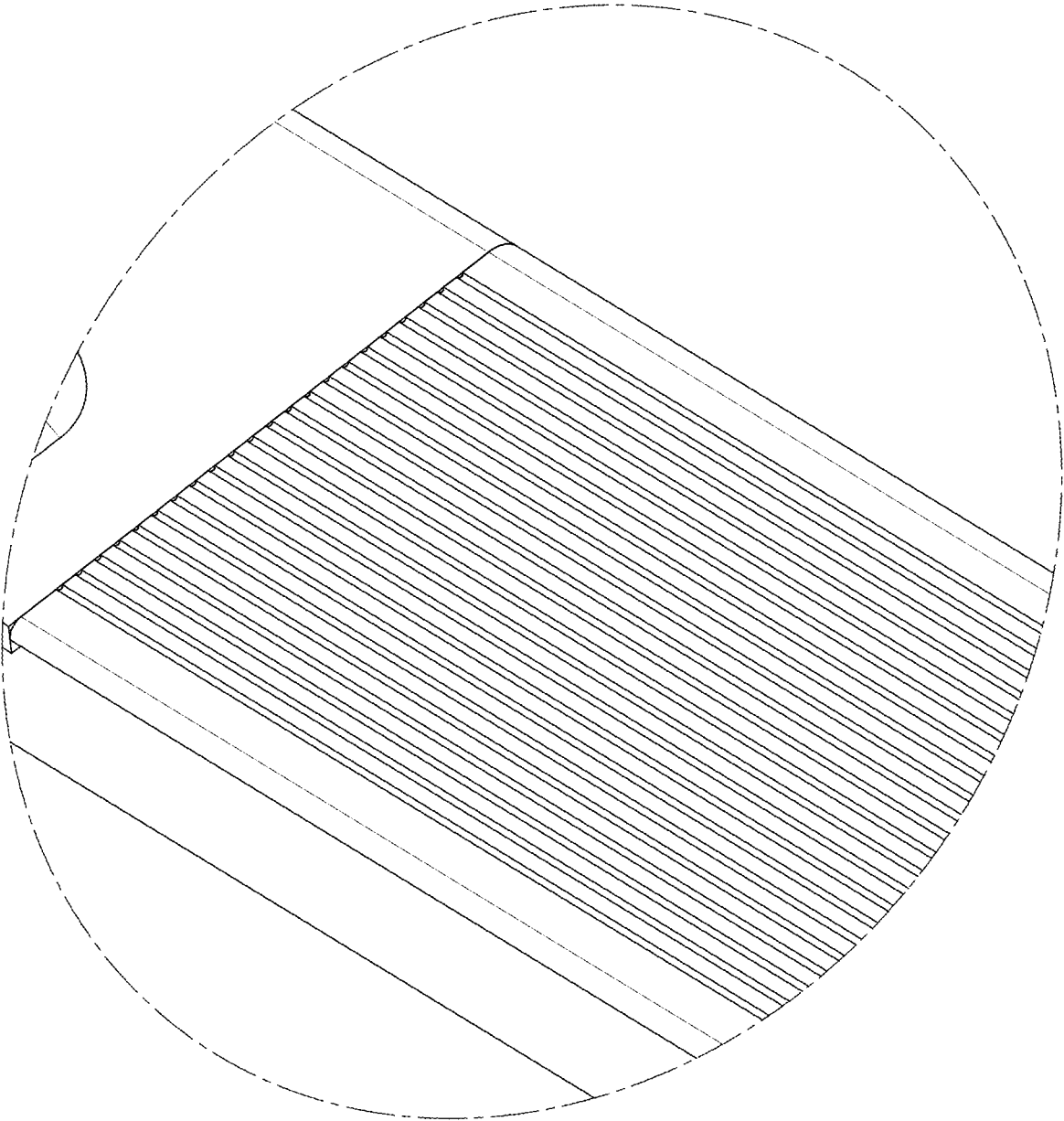


FIG. 9

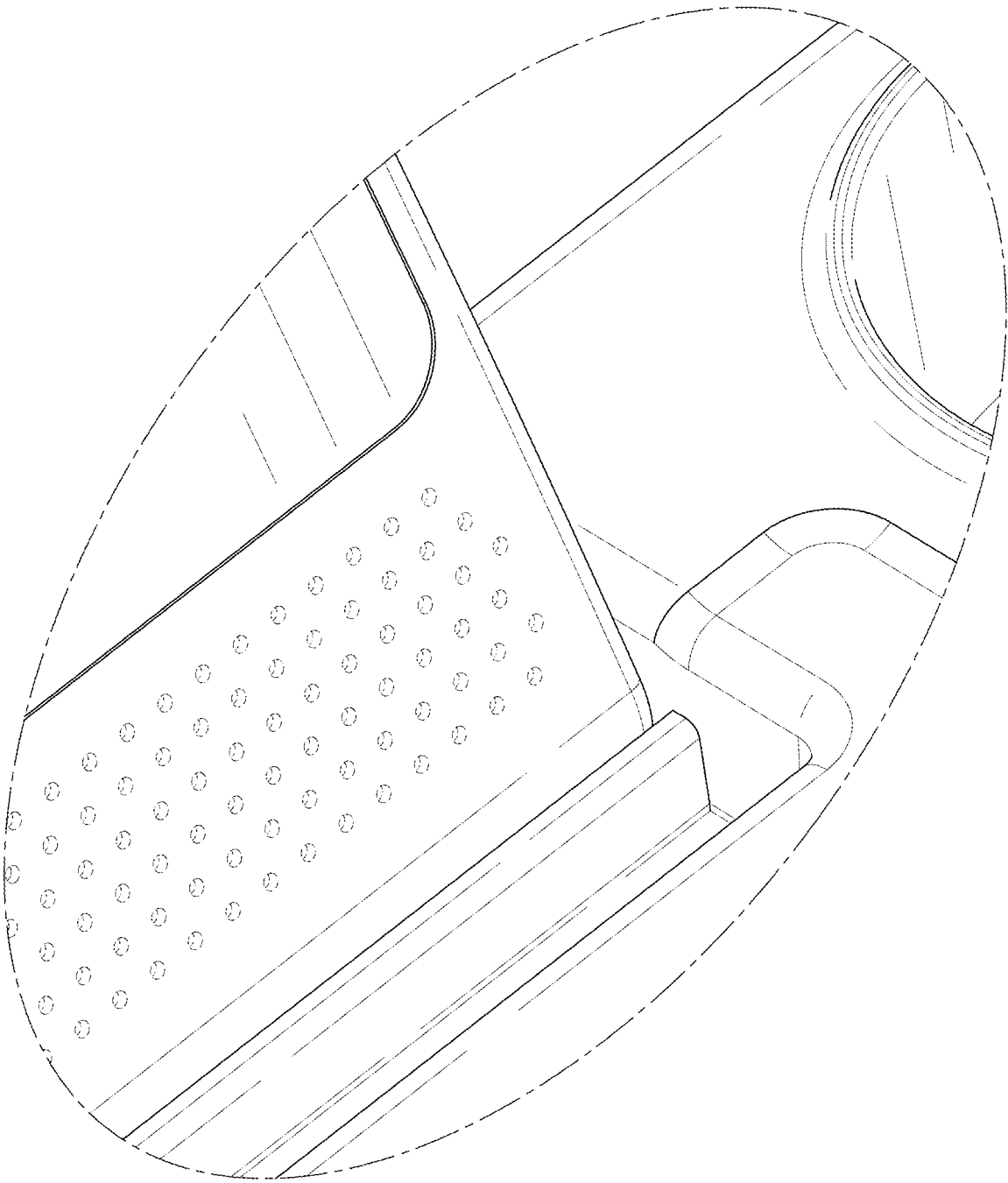


FIG. 10