



US00D550158S

(12) **United States Design Patent** (10) **Patent No.:** **US D550,158 S**  
**Victor** (45) **Date of Patent:** **\*\* Sep. 4, 2007**

(54) **BREAKOUT FOR CABLE ASSEMBLY**

D503,152 S \* 3/2005 Suckle et al. .... D13/154  
D514,524 S \* 2/2006 Suckle ..... D13/156

(76) Inventor: **Jay Victor**, 2017 Bataan Rd., Unit A,  
Redondo Beach, CA (US) 90278

\* cited by examiner

(\*\*) Term: **14 Years**

*Primary Examiner*—Daniel Bui  
(74) *Attorney, Agent, or Firm*—Trojan Law Offices

(21) Appl. No.: **29/248,283**

(57) **CLAIM**

(22) Filed: **Aug. 7, 2006**

The ornamental design for a breakout for cable assembly, as shown and described.

(51) **LOC (8) Cl.** ..... **13-03**

(52) **U.S. Cl.** ..... **D13/146; D13/133**

(58) **Field of Classification Search** ..... D13/133,  
D13/146–147, 153–154, 184, 199; 439/350,  
439/352, 447, 582–583, 694, 607–610, 660,  
439/677, 680–682

**DESCRIPTION**

See application file for complete search history.

FIG. 1 is a perspective view of a breakout for cable assembly, showing my new design;

FIG. 2 is a side view of the breakout for cable assembly shown in FIG. 1; and,

FIG. 3 is a top view of the breakout for cable assembly shown in FIG. 1.

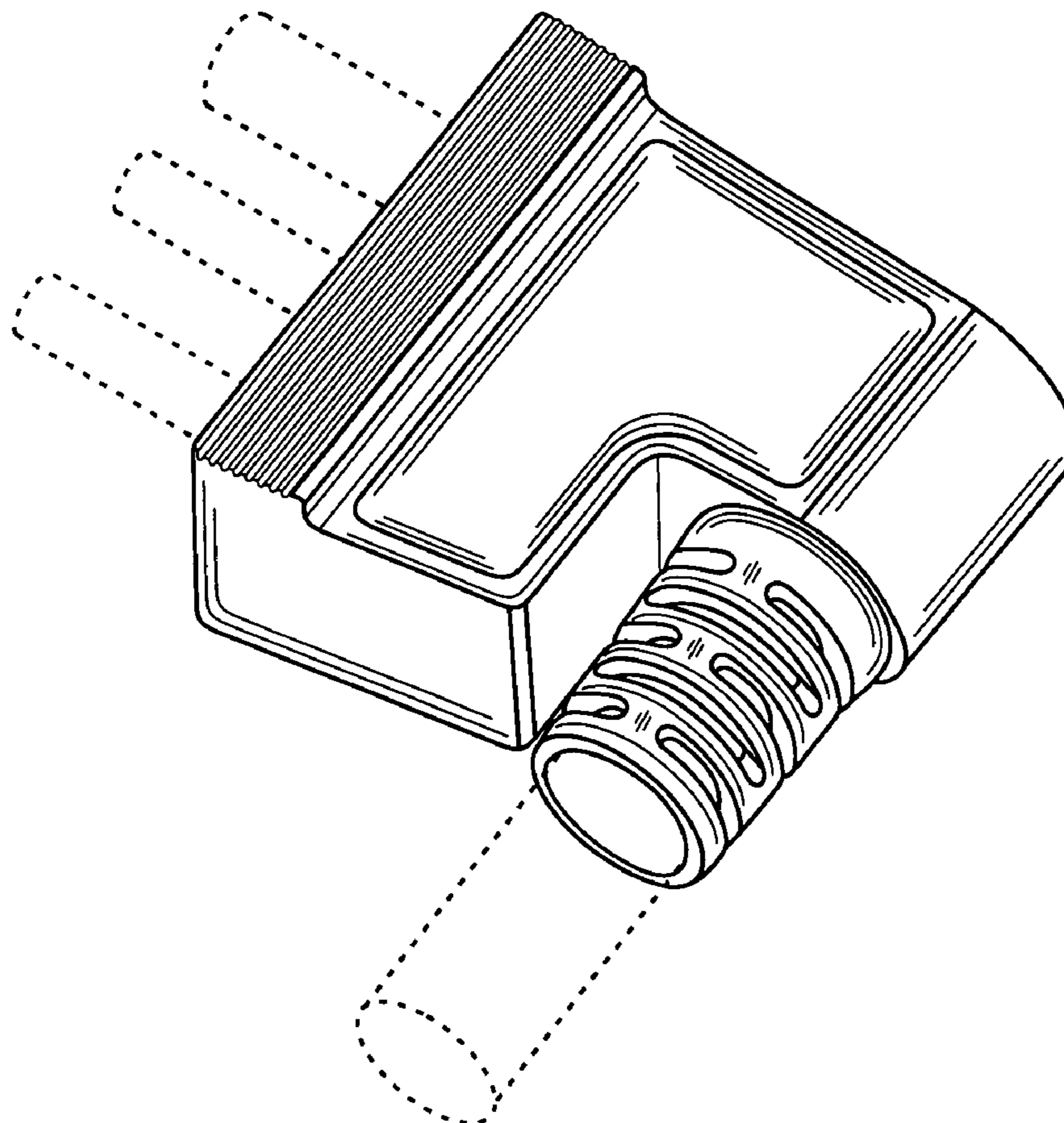
(56) **References Cited**

**U.S. PATENT DOCUMENTS**

4,838,808 A \* 6/1989 Fujiura ..... 439/357  
D349,099 S \* 7/1994 Robertson et al. .... D13/147  
D415,111 S \* 10/1999 Lee ..... D13/154  
D447,121 S \* 8/2001 Yim ..... D13/147  
D455,401 S \* 4/2002 Goto ..... D13/147

The broken lines showing cable lines in FIGS. 1 through 3 are for illustrative purposes only and form no part of the claimed design.

**1 Claim, 3 Drawing Sheets**



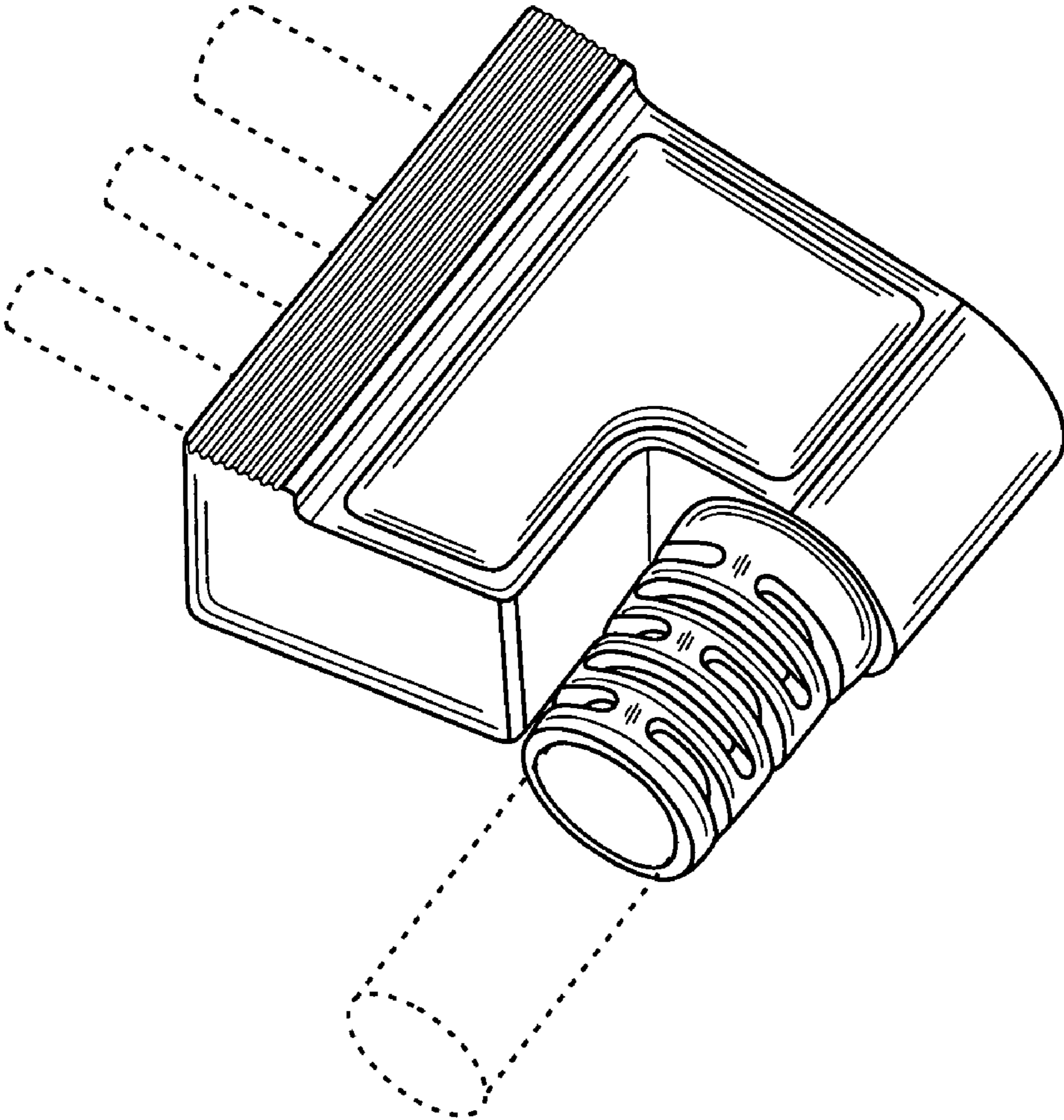


FIG. 1

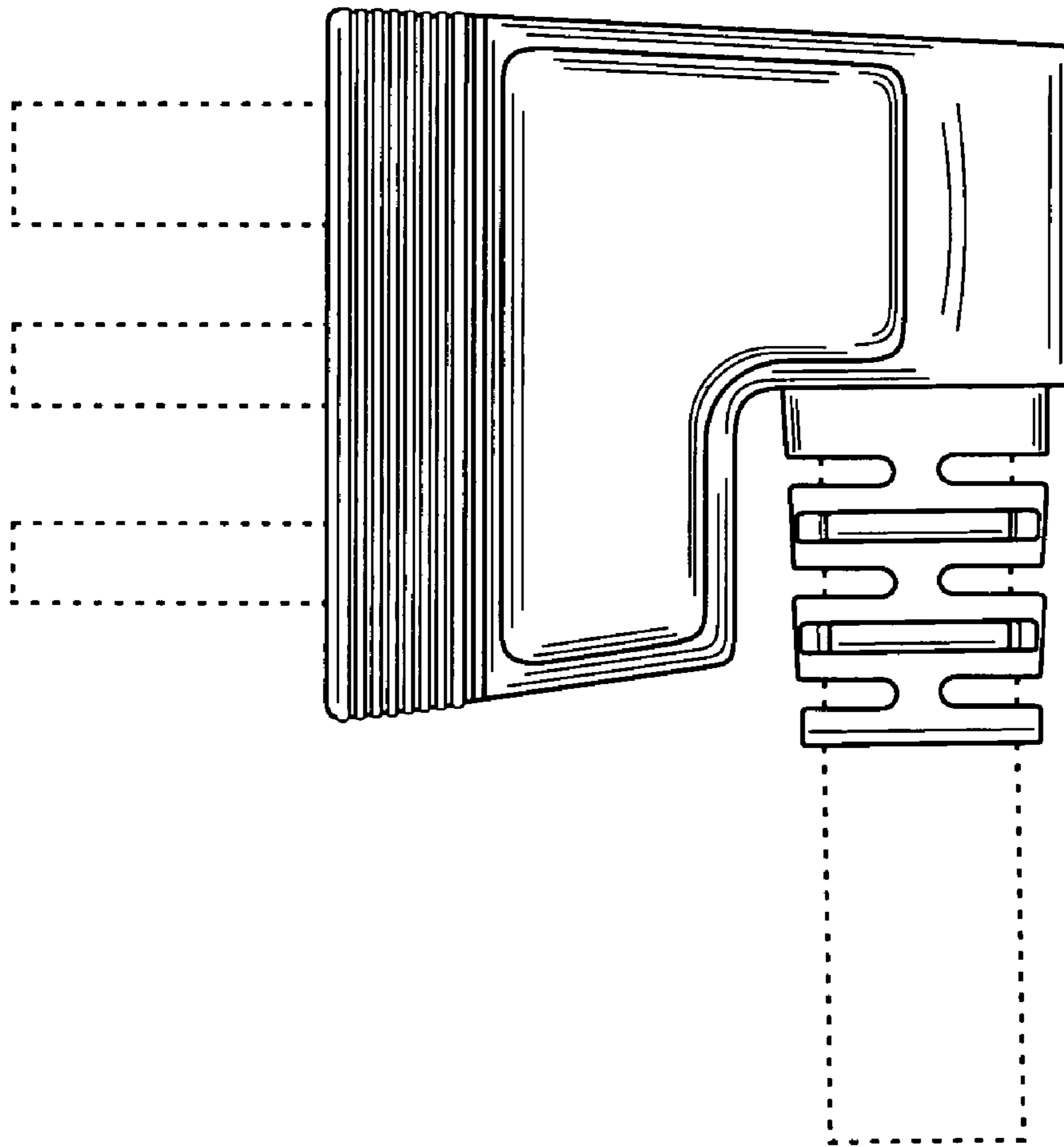


FIG. 2

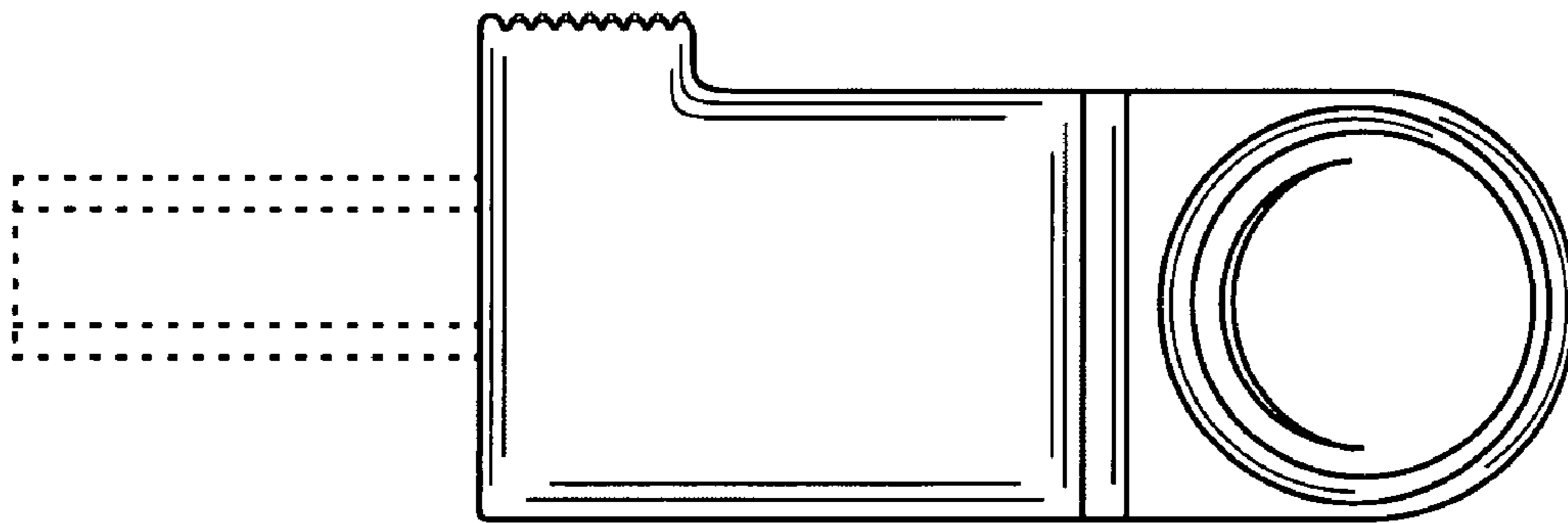


FIG. 3