



US00D770171S

(12) **United States Design Patent**
Lai et al.

(10) **Patent No.:** **US D770,171 S**

(45) **Date of Patent:** **** Nov. 1, 2016**

(54) **CASE MOUNT**

(71) Applicant: **CATALYST LIFESTYLE LIMITED**,
North Point, Hong Kong (CN)

(72) Inventors: **June Lai**, Hong Kong (CN); **Joshua Wright**, Hong Kong (CN)

(73) Assignee: **CATALYST LIFESTYLE LIMITED**,
North Point, Hong Kong (CN)

(**) Term: **15 Years**

(21) Appl. No.: **29/534,970**

(22) Filed: **Aug. 3, 2015**

(51) **LOC (10) Cl.** **03-01**

(52) **U.S. Cl.**

USPC **D3/218; D14/253**

(58) **Field of Classification Search**

USPC D14/253, 251, 252, 447, 451, 452, 440,
D14/434, 458, 432, 439, 457, 460, 238.1,
D14/140, 142, 149, 217, 148, 140.8, 140.11,
D14/209.1, 151, 140.9, 250; D13/107, 108;
D12/415, 223, 114, 420, 417, 407,
D12/177; D3/218; D16/242-245, 250, 237,
D16/203, 214, 219; D8/349; D6/675, 672,
D6/673, 675.4, 553, 676, 310, 406.3,
D6/406.4, 406.5, 406.6, 407

CPC B60R 2011/0008; B60R 11/02; B60R
11/0241; B60R 11/0258; B60R 11/0252;
B60R 2011/0294; F16M 11/00; F16M 11/04;
F16M 11/041; F16M 11/02; F16M 11/06;
F16M 13/00; H04M 1/02; H04M 1/04;
H04M 1/11; H04M 1/12; A47F 7/022;
B62J 11/00; H05K 7/00; G03B 17/56

See application file for complete search history.

(56) **References Cited**

U.S. PATENT DOCUMENTS

D504,564 S * 5/2005 Robertson, Jr. D3/218
D564,220 S * 3/2008 Dixon D3/218

D644,428 S * 9/2011 Feng D3/218
D668,247 S * 10/2012 Kim D14/253
D669,890 S * 10/2012 Hopkins D14/251
D676,371 S * 2/2013 Son D12/415
D689,853 S * 9/2013 Smith D14/253
D719,144 S * 12/2014 Eulette D14/250
D719,951 S * 12/2014 Fenton D14/253
D725,093 S * 3/2015 Sun D14/250
D752,597 S * 3/2016 Girault D14/447

(Continued)

Primary Examiner — Susan Bennett Hattan

Assistant Examiner — Janice Hallmark

(74) *Attorney, Agent, or Firm* — Dinsmore & Shohl LLP;
Mark D. Schneider

(57) **CLAIM**

The ornamental design for a case mount, as shown and described.

DESCRIPTION

FIG. 1 is a perspective view of a rear, top and one side of the case mount;

FIG. 2 is a perspective view of a top, front and a side of the case mount of FIG. 1;

FIG. 3 is a perspective view of a bottom, rear and an opposite side of the case mount of FIG. 1;

FIG. 4 is a planar view of the top of the case mount of FIG. 1;

FIG. 5 is a planar view of the rear of the case mount of FIG. 1;

FIG. 6 is a planar view of the opposite side of the case mount of FIG. 1;

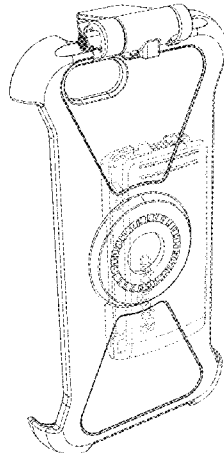
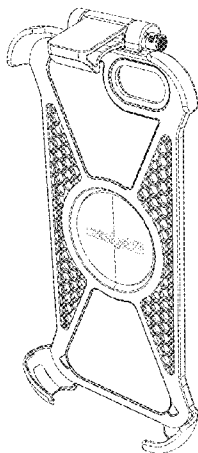
FIG. 7 is a planar view of the front of the case mount of FIG. 1;

FIG. 8 is a planar view of one side of the case mount of FIG. 1; and,

FIG. 9 is a planar view of the bottom of the case mount of FIG. 1.

The broken lines in the drawings depict environmental subject matter only and form no part of the claimed design.

1 Claim, 9 Drawing Sheets



US D770,171 S

Page 2

(56)

References Cited

2015/0201723 A1* 7/2015 Rayner G06F 1/1601
224/191

U.S. PATENT DOCUMENTS

2012/0193496 A1* 8/2012 Li F16M 11/041
248/316.1 * cited by examiner

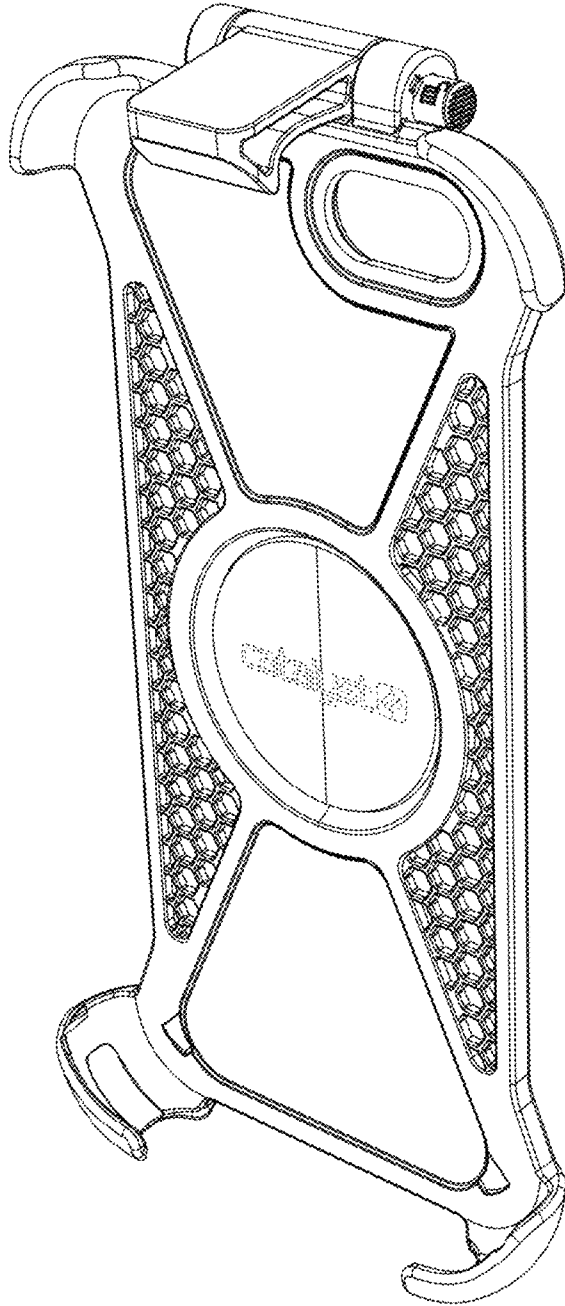


Figure 1

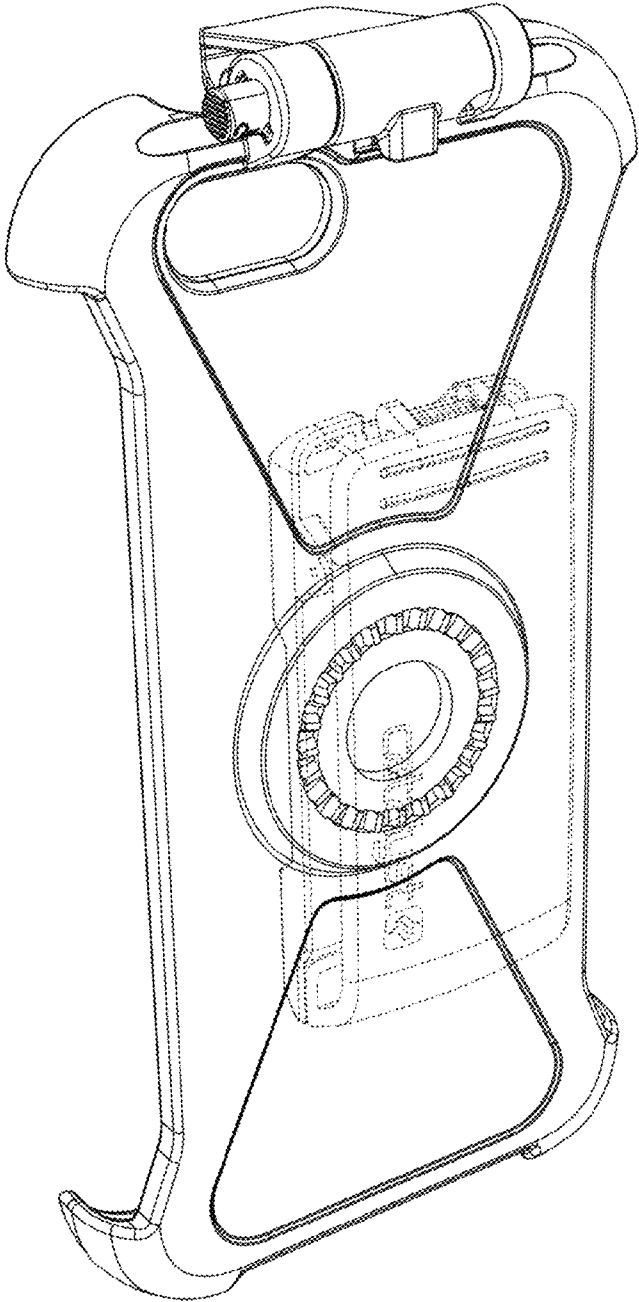


Figure 2

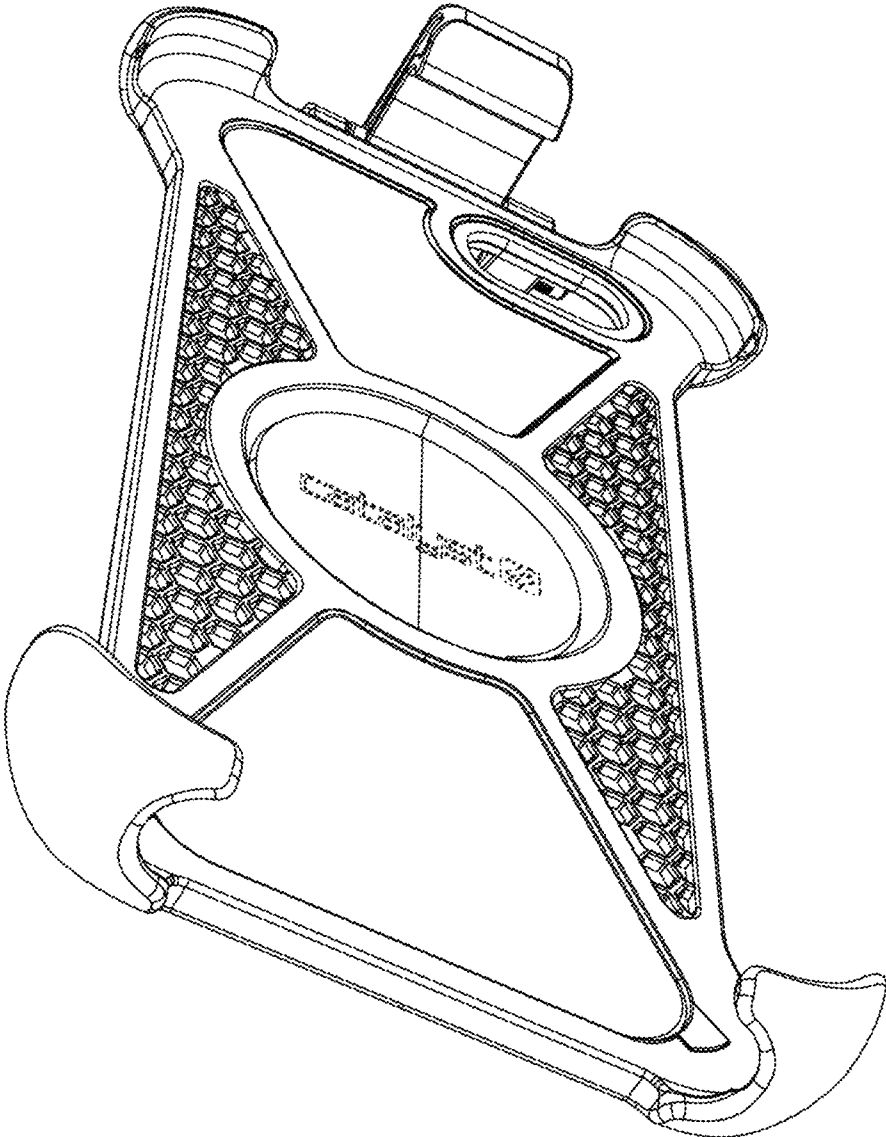


Figure 3

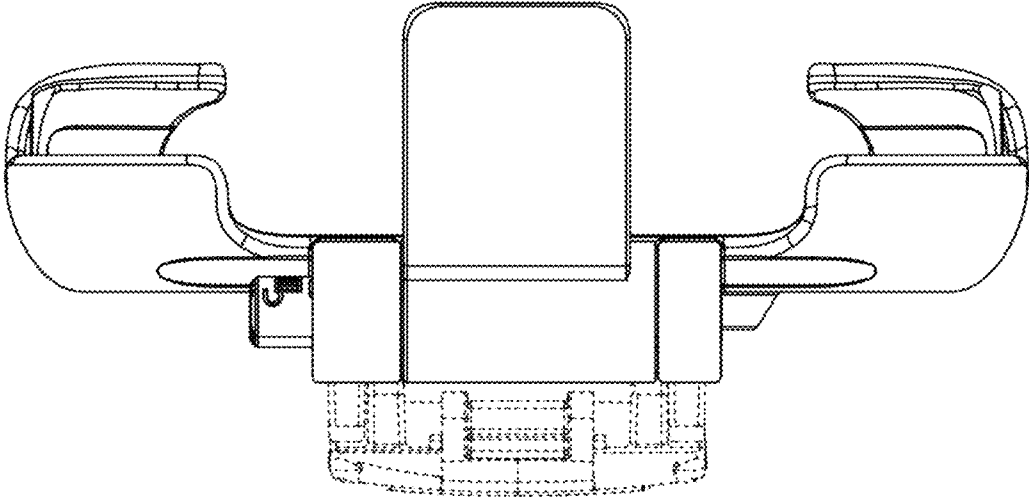


Figure 4

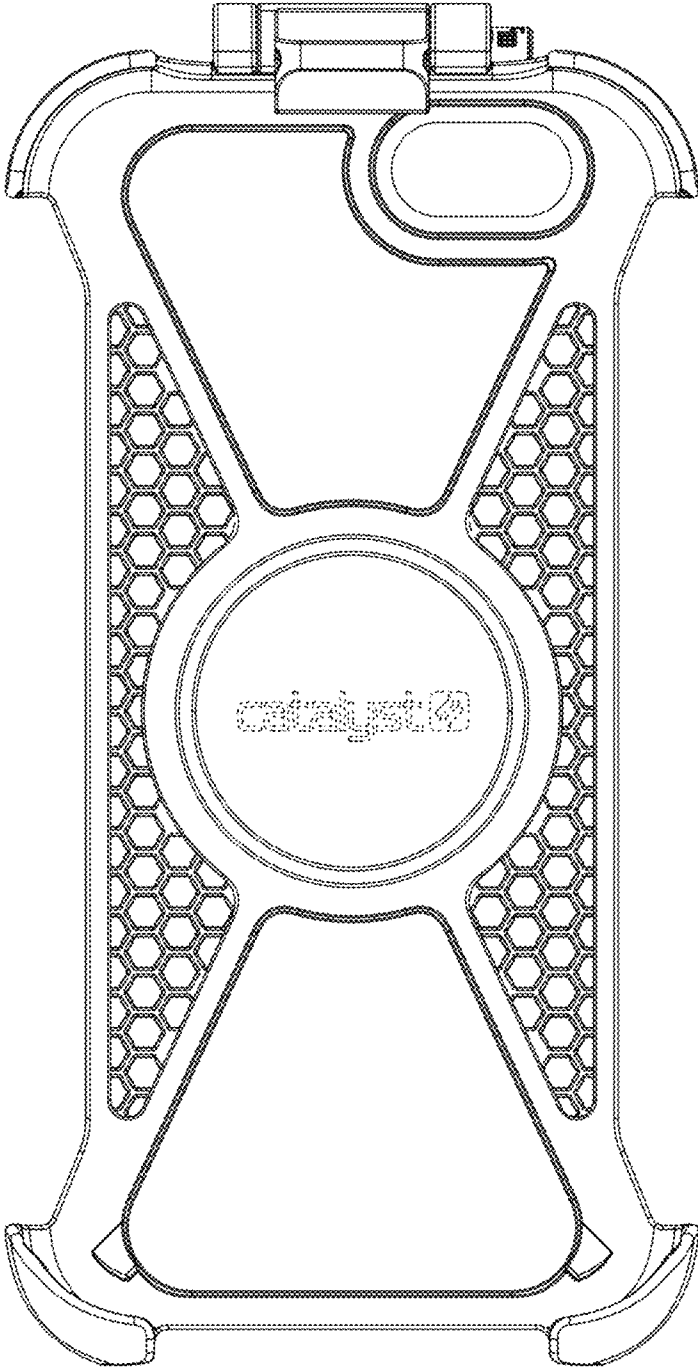


Figure 5

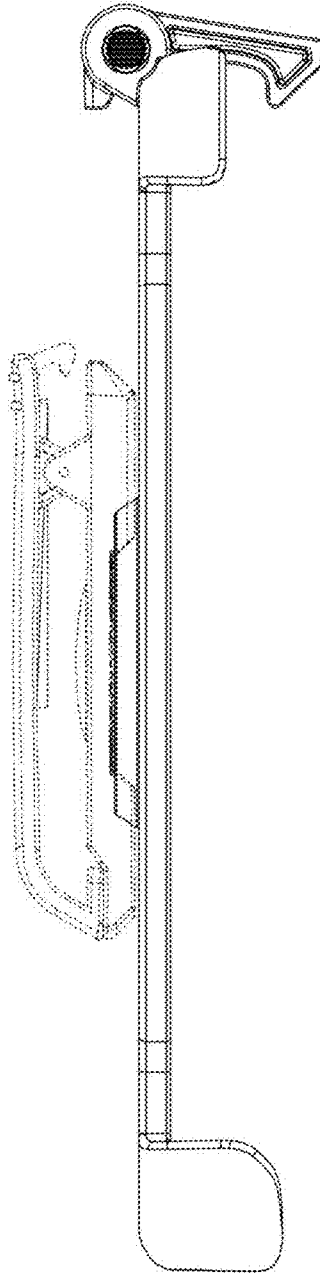


Figure 6

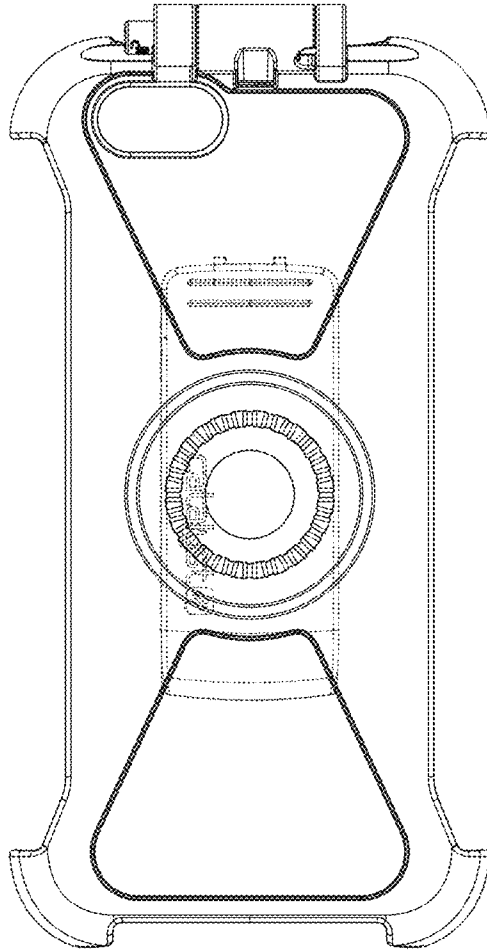


Figure 7

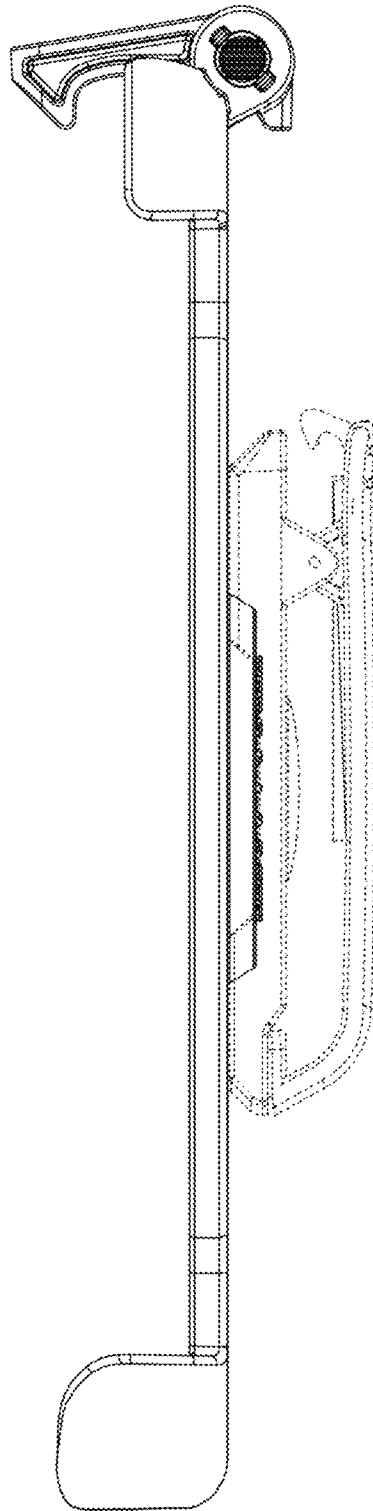


Figure 8

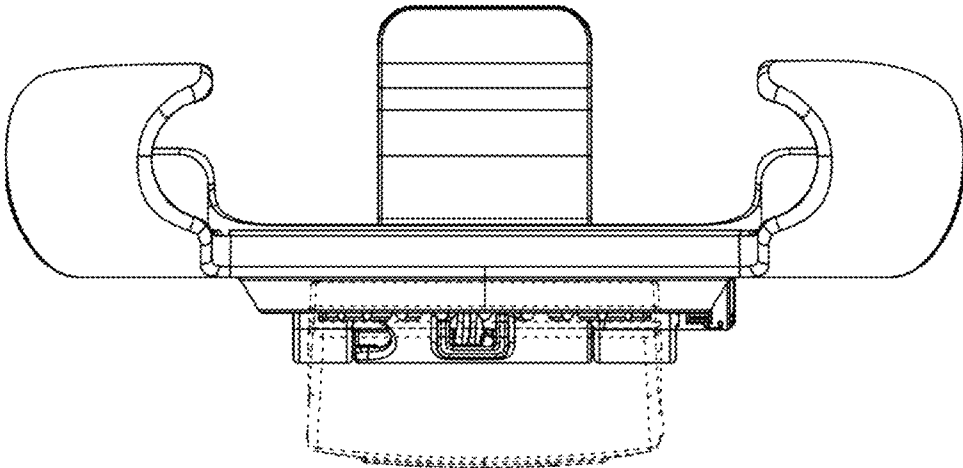


Figure 9