



US0D1002477S

(12) **United States Design Patent**
Narciso

(10) **Patent No.:** **US D1,002,477 S**

(45) **Date of Patent:** **** Oct. 24, 2023**

- (54) **WHEEL**
- (71) Applicant: **Wheel Pros, LLC**, Greenwood Village, CO (US)
- (72) Inventor: **John Narciso**, Buena Park, CA (US)
- (73) Assignee: **Wheel Pros LLC**, Greenwood Village, CO (US)
- (**) Term: **15 Years**
- (21) Appl. No.: **29/822,703**

- (22) Filed: **Jan. 11, 2022**
- (51) **LOC (14) Cl.** **12-16**
- (52) **U.S. Cl.**
USPC **D12/204**

- (58) **Field of Classification Search**
USPC D12/204–213, 501; D21/563, 779
CPC B60B 7/00; B60B 7/01; B60B 7/02; B60B 7/04; B60B 7/06; B60B 3/02; B60B 3/04; B60B 3/06; B60B 3/10; B60B 1/00; B60B 1/08; B60B 1/10; B60B 1/12
See application file for complete search history.

(56) **References Cited**

U.S. PATENT DOCUMENTS

D291,796 S	9/1987	Reid
D361,975 S	9/1995	Weld
D391,216 S	2/1998	Ballmann
D408,775 S	4/1999	Shikado
D453,492 S	2/2002	Aengerer
D455,698 S	4/2002	Chung
D467,212 S	12/2002	Noriega
D470,094 S	2/2003	van Hooydonk
D480,036 S	9/2003	Laengerer
D482,996 S	12/2003	Sulahian
D492,925 S	7/2004	Fitzgerald
D496,317 S	9/2004	Kataoka
D499,684 S	12/2004	Cheng

D502,438 S	3/2005	Weld
D504,859 S	5/2005	Sulahian
D505,374 S	5/2005	Aleman
D510,307 S	10/2005	Howes
D523,797 S	6/2006	Gallert
D524,212 S	7/2006	Phillips
D524,220 S	7/2006	Scheu
D524,315 S	7/2006	Reusing
D528,495 S	9/2006	Truebsbach
D542,209 S	5/2007	Pfeiffer
D549,148 S	8/2007	Buschmann
D569,777 S	5/2008	Chung
D577,650 S	9/2008	Chung
D579,845 S	11/2008	Chung
D582,831 S	12/2008	Musser
D596,009 S	7/2009	Sawhney et al.
D598,357 S	8/2009	Chung
D617,723 S	6/2010	Zhao
D623,109 S	9/2010	Markefka

(Continued)

OTHER PUBLICATIONS

Legion, Published Mar. 24, 2022 [online], [retrieved on Aug. 5, 2023]. Retrieved from the Internet: <https://www.amazon.com/Black-Rhino-LEGION-Custom-Wheel/dp/B09WDW7B1D?th=1> (Year: 2023).*

Primary Examiner — Cary M Robinson

Assistant Examiner — Adam C Mager

(74) *Attorney, Agent, or Firm* — Eric Hanscom

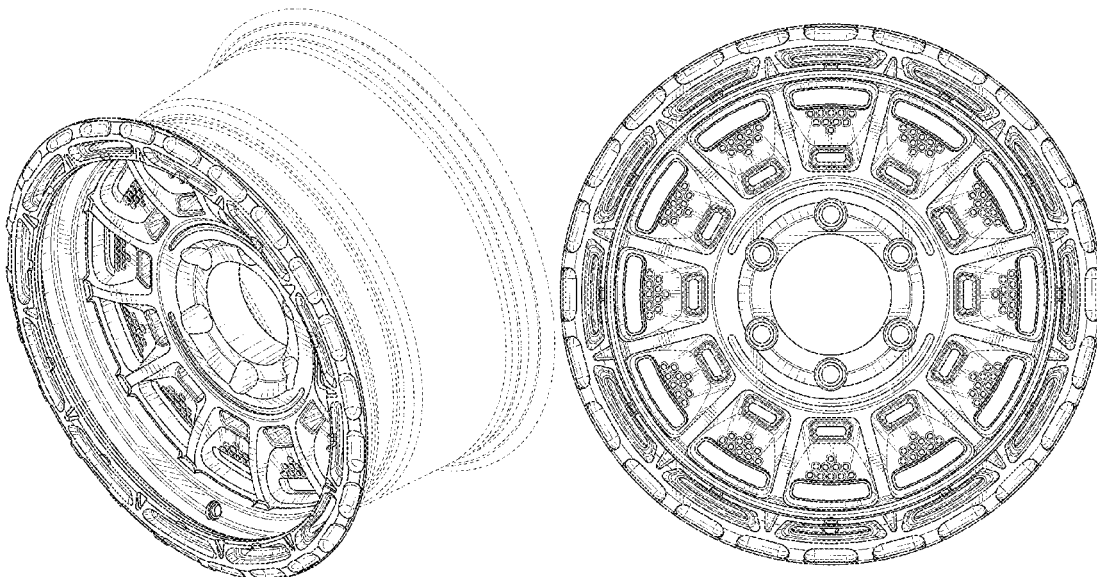
(57) **CLAIM**

The ornamental design for a wheel, as shown and described.

DESCRIPTION

FIG. 1 is a perspective view of a wheel showing my new design; and, FIG. 2 is a front view thereof. In the drawings, the broken lines depict portions of the wheel that form no part of the claimed design.

1 Claim, 2 Drawing Sheets



(56)

References Cited

U.S. PATENT DOCUMENTS

D635,903 S	4/2011	Zhang	D833,360 S	11/2018	Kong	
D654,007 S	2/2012	Nissl	D835,023 S	12/2018	Tran	
D654,420 S	2/2012	Guay	D838,223 S	1/2019	Chung	
D660,771 S	5/2012	Mueller-Stolz	D838,646 S *	1/2019	Harriton	D12/209
D669,009 S	10/2012	Chung	D840,900 S	2/2019	Lickliter	
D686,961 S	7/2013	Chung	D840,901 S	2/2019	Lickliter	
D695,193 S	12/2013	Kong	D840,902 S	2/2019	Lickliter	
D698,298 S	1/2014	Cortes	D849,655 S	5/2019	Kong	
D698,300 S	1/2014	Chung	D850,349 S	6/2019	Lickliter	
D702,172 S	4/2014	Chung	D852,706 S	7/2019	Tran	
D704,117 S	5/2014	Chung	D860,899 S	9/2019	Lickliter	
D704,617 S	5/2014	Chung	D860,900 S	9/2019	Lickliter	
D706,197 S	6/2014	Chung	D860,901 S	9/2019	Lickliter	
D707,167 S	6/2014	Chung	D862,341 S	10/2019	Kong	
D709,020 S	7/2014	Chung	D866,435 S *	11/2019	Interrante	D12/209
D713,316 S	9/2014	Song	D876,314 S *	2/2020	Han	D12/211
D714,207 S	9/2014	Kim	D893,386 S	8/2020	Chung	
D717,709 S	11/2014	Valencia Pollex	D896,729 S	9/2020	Chung	
D719,893 S	12/2014	Kim	D897,926 S	10/2020	Chung	
D731,946 S	6/2015	Chung	D899,999 S	10/2020	Kong	
D742,293 S	11/2015	Chung	D902,820 S *	11/2020	Han	D12/209
D753,046 S	4/2016	Liffick	D904,271 S	12/2020	Henderson	
D756,882 S	5/2016	Tirado	D904,272 S	12/2020	Lickliter	
D766,805 S	9/2016	Chung	D904,963 S *	12/2020	Hale, Jr.	D12/209
D769,785 S	10/2016	Wells	D909,272 S	2/2021	Chung	
D780,655 S	3/2017	Trim	D910,525 S	2/2021	Tran	
D798,786 S	10/2017	Chung	D911,245 S	2/2021	Chung	
D798,789 S	10/2017	Kong	D912,589 S	3/2021	Hale, Jr.	
D799,395 S	10/2017	Chung	D912,591 S	3/2021	Tran	
D800,633 S	10/2017	Kong	D918,810 S	5/2021	Lickliter	
D802,512 S	11/2017	Kong	D922,928 S	6/2021	Kong	
D805,454 S	12/2017	Kong	D926,099 S *	7/2021	Yeh	D12/209
D805,455 S	12/2017	Kong	D927,386 S	8/2021	Lickliter	
D807,805 S	1/2018	Caldwell	D937,734 S *	12/2021	Podlovits	D12/209
D808,876 S	1/2018	Caldwell	D944,710 S *	3/2022	Greiving	D12/209
D817,845 S	5/2018	Guidry	D945,342 S *	3/2022	Sempek	D12/209
D821,284 S	6/2018	Tran	D956,656 S *	7/2022	Tran	D12/209
D824,316 S	7/2018	Tran	D962,142 S *	8/2022	Tran	D12/209
D826,827 S	8/2018	Tran	D981,929 S *	3/2023	Kleinschuster	D12/209
			D981,931 S *	3/2023	Chartier	D12/211

* cited by examiner

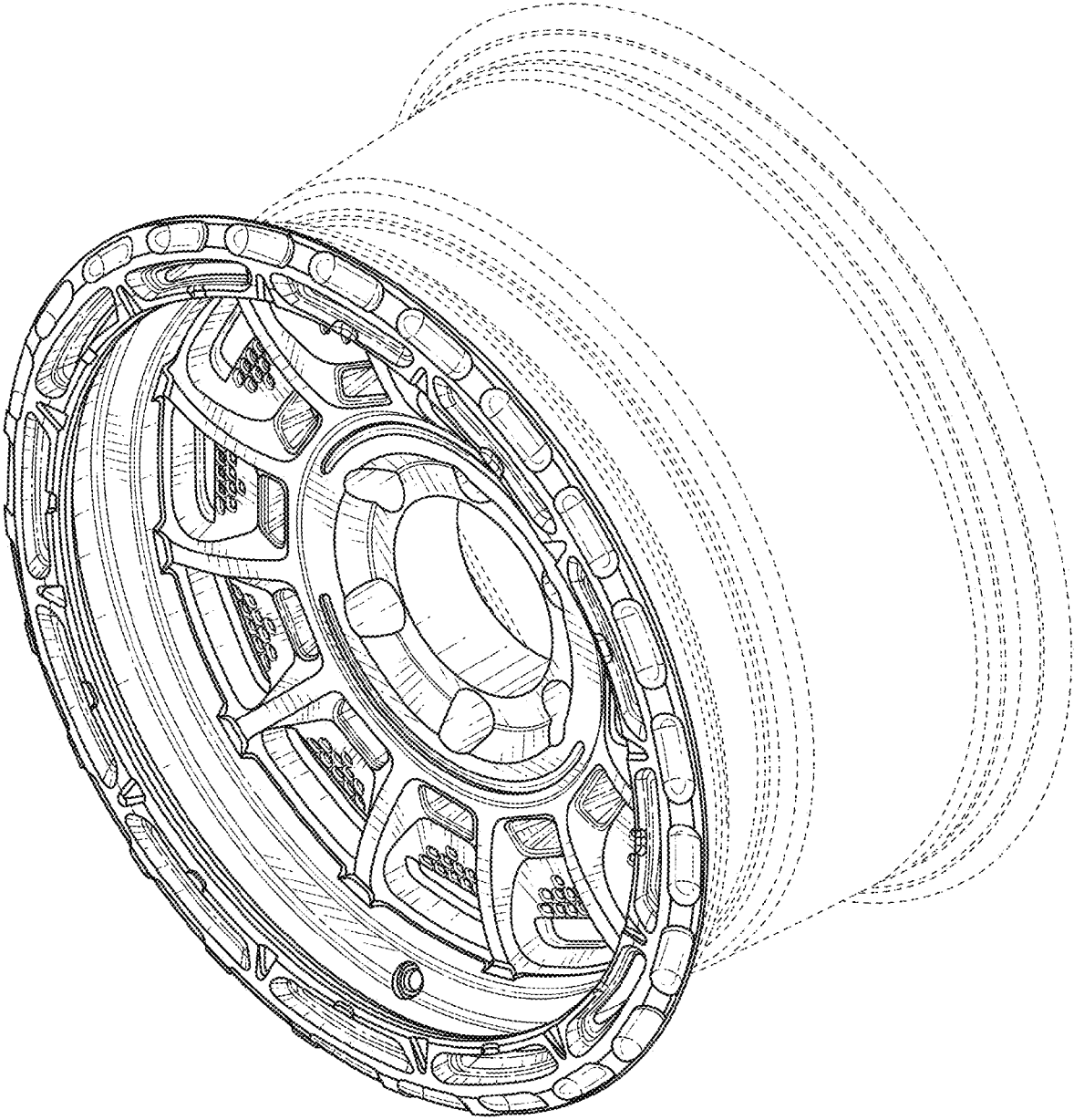


FIG. 1

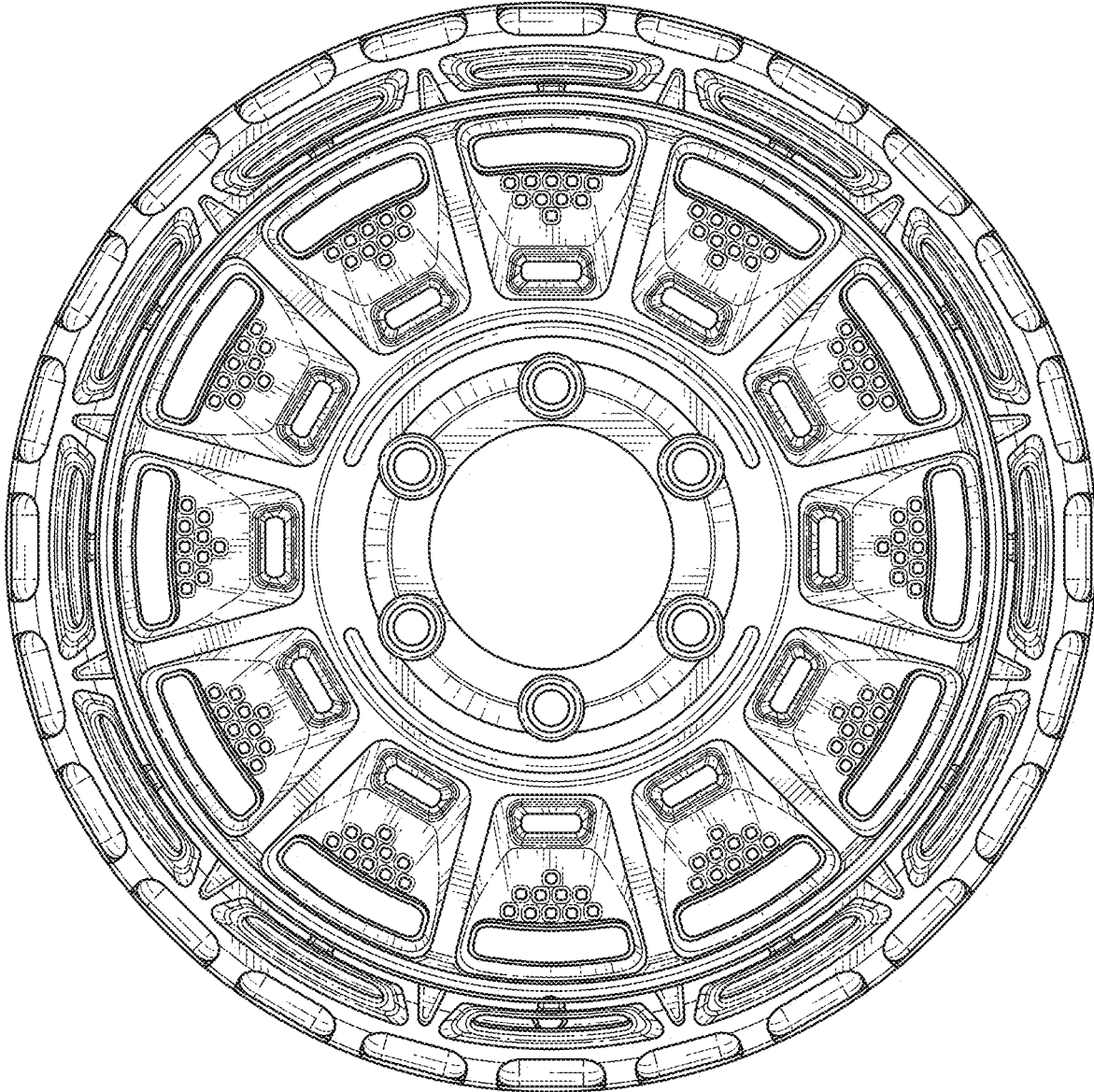


FIG. 2