



US00D938729S

(12) **United States Design Patent** (10) **Patent No.:** **US D938,729 S**
Cardenas (45) **Date of Patent:** **** Dec. 21, 2021**

(54) **HANDBAG**
(71) Applicant: **J. Choo Limited**, London (GB)
(72) Inventor: **Johanna Cardenas**, Paris (FR)
(73) Assignee: **J. Choo Limited**, London (GB)
(**) Term: **15 Years**
(21) Appl. No.: **29/711,054**
(22) Filed: **Oct. 28, 2019**

FOREIGN PATENT DOCUMENTS

CN 304936516 * 12/2018
KR 300728542.0000 * 2/2014

OTHER PUBLICATIONS

Burberry Bright Red Equestrian Shield Crossbody Bag, unknown first available date, jomashop.com [online], [site visited Jun. 15, 2021], Available at internet URL: <https://www.jomashop.com/burberry-bright-red-equestrian-shield-crossbody-bag-4074995.html> (Year: 2021).*

(Continued)

(30) **Foreign Application Priority Data**

May 20, 2019 (EM) 006486668-0002

(51) **LOC (13) Cl.** **03-01**

(52) **U.S. Cl.**
USPC **D3/321; D3/232; D3/246**

(58) **Field of Classification Search**
USPC ... D3/203.1, 203.6, 202, 205-206, 215, 217, D3/226, 229-230, 232-233, 242-246, D3/249, 258, 273-274, 276, 283-290, D3/294-295, 299, 301, 303, 900-904, D3/321-322, 324, 326; D7/602, 605, D7/607, 619.1, 709; D28/73, 76; D30/153, 161

CPC .. A45C 1/00; A45C 1/02; A45C 1/024; A45C 1/08; A45C 3/00; A45C 3/04; A45C 3/06; A45C 3/10; A45C 3/004; A45C 5/00; A45C 5/02; A45C 5/04; A45C 5/005; A45C 7/077; A45C 7/00; A45C 9/00; A45C 11/00; A45C 11/16; A45C 11/20; A45C 11/26; A45C 11/008; A45C 13/00; A45C 13/08; A45C 13/26; A45C 2003/002; A45C 2003/007; A45C 2003/008; A45C 3007/004; A45C 2011/007; A45C 2200/20;

(Continued)

(56) **References Cited**

U.S. PATENT DOCUMENTS

D42,370 S * 3/1912 Potter D3/243
D42,372 S * 3/1912 Potter D3/243

(Continued)

Primary Examiner — Jeffrey D Asch

Assistant Examiner — Caitlin A Laverty

(74) *Attorney, Agent, or Firm* — Fross Zelnick Lehrman & Zissu, P.C.; Lawrence E. Apolzon, Esq.

(57) **CLAIM**

The ornamental design for a handbag, as shown and described.

DESCRIPTION

FIG. 1 is a front perspective view of a handbag showing my new design;
FIG. 2 is a front view thereof;
FIG. 3 is a back view thereof;
FIG. 4 is a left side view thereof;
FIG. 5 is a right side view thereof;
FIG. 6 is a top view thereof; and,
FIG. 7 is a bottom view thereof.

The broken line showing of portions of the handbag in the drawings is for illustrative purposes only and forms no part of the claimed design.

The stitching in the drawings is for illustrative purposes only and forms no part of the claimed design.

1 Claim, 7 Drawing Sheets



(58) **Field of Classification Search**

CPC A45D 29/20; A45D 33/008; A45D 44/18;
 A45D 2200/25; A45F 3/00; A45F 3/02;
 A45F 3/04; A45F 3/16; A45F 4/02; B65D
 23/08; B65D 81/38; B65D 81/3836;
 B65D 81/2023; A01K 23/005; A01K
 25/005; A01K 27/001; A01K 27/003;
 A01K 27/006; A01K 27/008; E01H
 1/1206

See application file for complete search history.

(56) **References Cited**

U.S. PATENT DOCUMENTS

1,029,634 A * 6/1912 Riley A45C 13/26
 16/410
 D73,419 S * 9/1927 Weber D3/246
 D115,063 S * 5/1939 Cohen D3/246
 3,530,962 A * 9/1970 Schneider A45C 13/26
 190/115
 D398,082 S * 9/1998 Martz D3/273
 D442,368 S * 5/2001 Spence, Jr. D3/283
 D461,954 S * 8/2002 Guyon D3/246
 D477,462 S * 7/2003 Dancyger D3/274
 D501,998 S 2/2005 Gonzalez
 D502,805 S 3/2005 Gonzalez
 D502,813 S 3/2005 Gonzalez
 D507,878 S * 8/2005 Kavovit D3/276
 D507,882 S 8/2005 Gonzalez
 D512,563 S * 12/2005 Suppancig D3/246
 D540,034 S 4/2007 Gonzalez
 D549,963 S 9/2007 Gonzalez
 D607,204 S 1/2010 Gonzalez et al.
 D608,544 S * 1/2010 Kwei D3/245
 D609,470 S * 2/2010 Guyon D3/245
 D627,155 S * 11/2010 Tennyson D3/243
 D641,554 S * 7/2011 Martinetti D3/321
 D644,029 S * 8/2011 Boas D3/324
 D719,349 S * 12/2014 Fusi D3/245
 D802,917 S * 11/2017 Fusi D3/243
 D819,956 S * 6/2018 Woodard D3/203.6
 D883,753 S * 5/2020 Zheng D7/607
 D893,182 S * 8/2020 Smith, IV D3/276

D923,332 S * 6/2021 Deloumeaux D3/246
 D932,768 S * 10/2021 Spaziani D3/232
 2016/0029764 A1 * 2/2016 Hayashi A45C 3/06
 150/107

OTHER PUBLICATIONS

Twitter user @jimmychoo image post, dated Sep. 4, 2019, twitter.com [online], [site visited Jun. 17, 2021], Available at internet URL: <https://twitter.com/jimmychoo/status/1169203452909514753/photo/1> (Year: 2019).*

Handbag—Tulita Origami Small—published at least earlier than May 20, 2018.

Handbag—Tulita Ruched Small—published at least earlier than May 20, 2018.

Handbag—Tulita Origami Large—published at least earlier than May 20, 2018.

Handbag—Tulita Ruched Medium—published at least earlier than May 20, 2018.

Handbag—Tulita Large Rafia Origami—published at least earlier than May 20, 2018.

Handbag—Tulita Ruched Large—published at least earlier than May 20, 2018.

Handbag—Tulita Large Flap Hobo—published at least earlier than May 20, 2018.

Handbag—Tulita Hobo Large—published at least earlier than May 20, 2018.

Handbag—Tulita Hammock—published at least earlier than May 20, 2018.

Handbag—Tulita Crescent—published at least earlier than May 20, 2018.

Handbag—Tulita Hobo—published at least earlier than May 20, 2018.

Handbag—Tulita Flap Hobo—published at least earlier than May 20, 2018.

Handbag—Tulita Large Hobo—published at least earlier than May 20, 2018.

Handbag—Tulita Large Large Perspex—published at least earlier than May 20, 2018.

Handbag—Tulita Shopper—published at least earlier than May 20, 2018.

* cited by examiner



FIG. 1

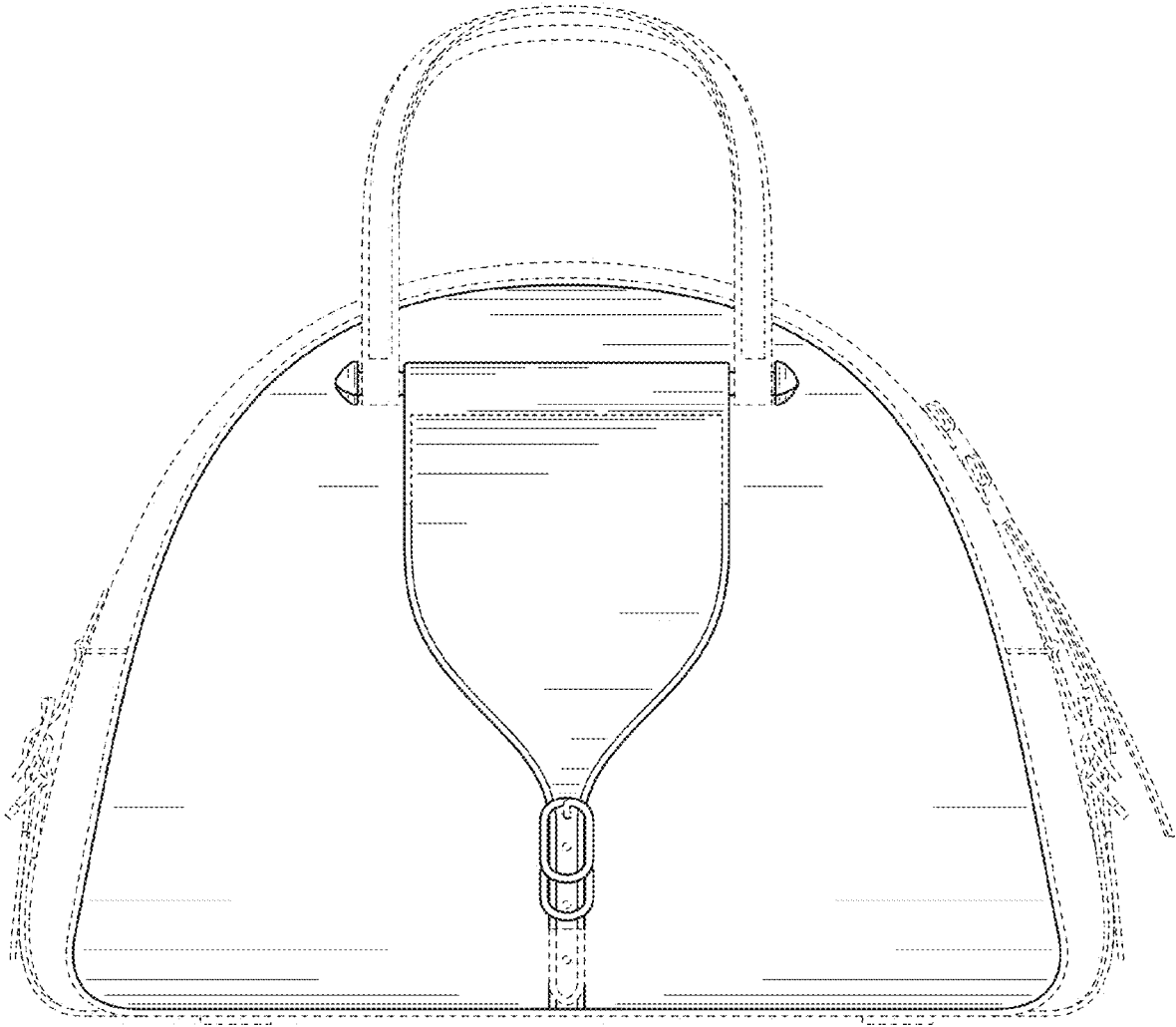


FIG. 2



FIG. 3

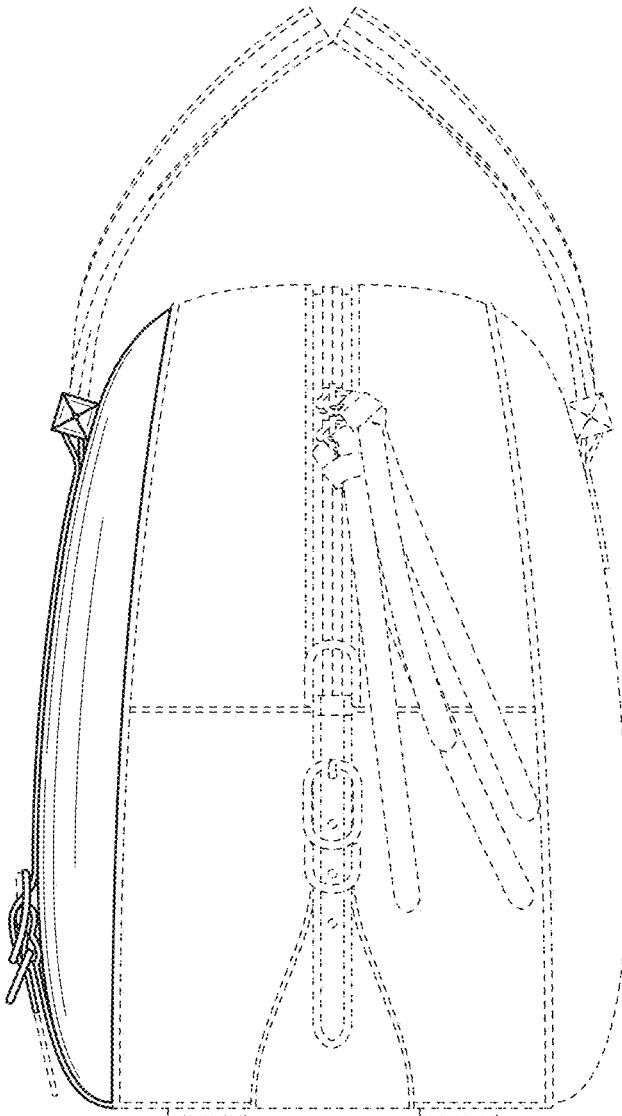


FIG. 4

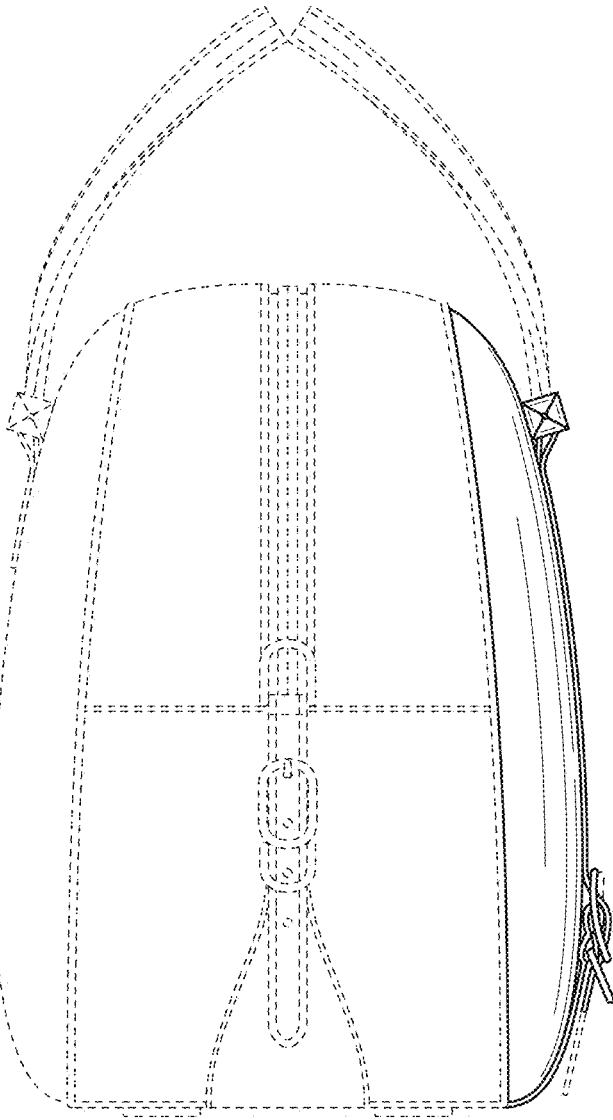


FIG. 5

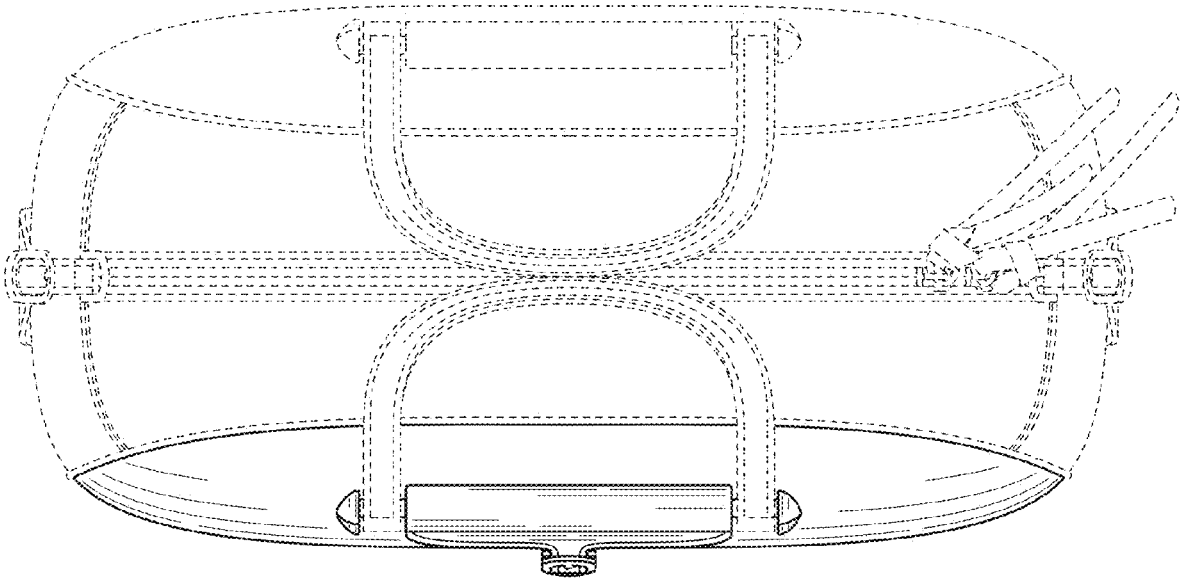


FIG. 6

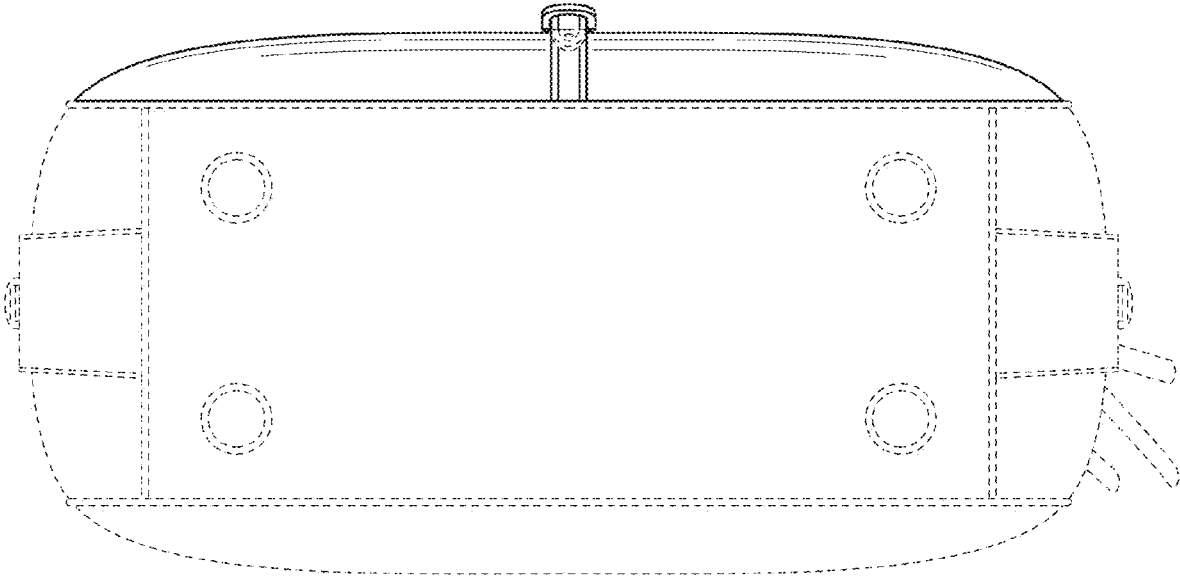


FIG. 7