



US00D790006S

(12) **United States Design Patent**
Yoshida

(10) **Patent No.:** **US D790,006 S**

(45) **Date of Patent:** **** Jun. 20, 2017**

(54) **PORTABLE PRINTER**

(71) Applicant: **TOSHIBA TEC KABUSHIKI KAISHA**, Tokyo (JP)

(72) Inventor: **Katsuhiko Yoshida**, Kashiwa (JP)

(73) Assignee: **Toshiba Tec Kabushiki Kaisha**, Tokyo (JP)

(**) Term: **15 Years**

(21) Appl. No.: **29/545,161**

(22) Filed: **Nov. 10, 2015**

(30) **Foreign Application Priority Data**

May 12, 2015 (JP) 2015-10254

(51) **LOC (10) Cl.** **14-02**

(52) **U.S. Cl.**
USPC **D18/50; D18/14**

(58) **Field of Classification Search**

USPC D18/6-7, 14, 19, 50, 52, 54, 54.1, 55;
D14/420-425

CPC ... B41J 3/36; B41J 3/4075; B41J 11/58; B41J
13/00; B41J 15/00; B41J 15/02; B41J
15/042; B41J 17/00; B41J 29/00; B41J
29/02; B41J 29/08; B41J 29/13; G06F
3/12; G06K 15/14

See application file for complete search history.

(56) **References Cited**

U.S. PATENT DOCUMENTS

D522,571 S * 6/2006 Senda D18/54
D664,592 S * 7/2012 Nakagawa D18/50

D685,415 S * 7/2013 Kinoshita D18/54
8,616,793 B2 * 12/2013 Kasugai B41J 3/4075
400/613
8,974,052 B2 * 3/2015 Tanaka B41J 15/042
347/108
D730,978 S * 6/2015 Kinoshita D18/50
D751,636 S * 3/2016 Kinoshita D18/19
D752,140 S * 3/2016 Tanaka D18/19
D760,835 S * 7/2016 Takahashi D18/19

* cited by examiner

Primary Examiner — Cathy Anne MacCormac

(74) *Attorney, Agent, or Firm* — Foley & Lardner LLP

(57) **CLAIM**

The ornamental design for a portable printer, as shown and described.

DESCRIPTION

FIG. 1 is a perspective view of a portable printer of the claimed design;

FIG. 2 is a front view of the portable printer shown in FIG. 1;

FIG. 3 is a rear view of the portable printer shown in FIG. 1;

FIG. 4 is a left side view of the portable printer shown in FIG. 1;

FIG. 5 is a right side view of the portable printer shown in FIG. 1;

FIG. 6 is a top plan view of the portable printer shown in FIG. 1; and,

FIG. 7 is a bottom plan view of the portable printer shown in FIG. 1.

The broken lines depict environmental subject matter and form no part of the claimed design.

1 Claim, 5 Drawing Sheets

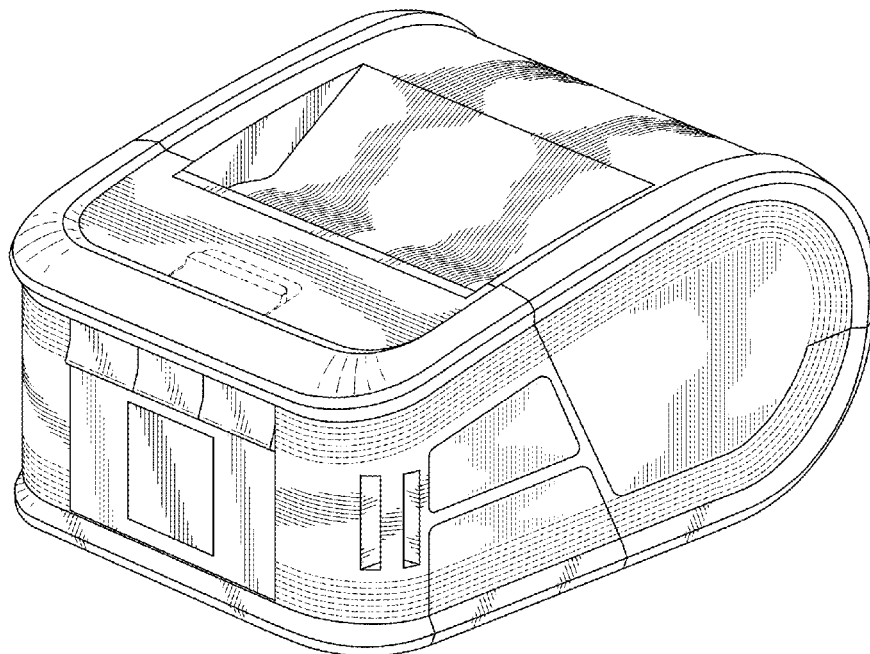


FIG. 1

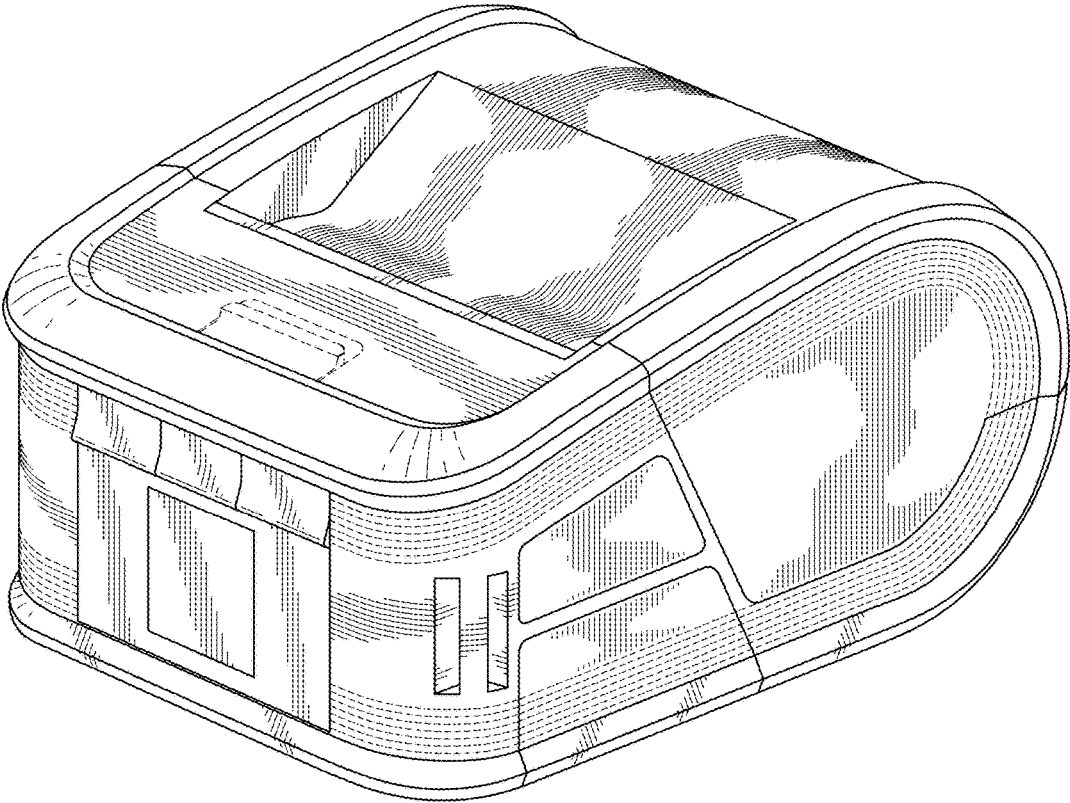


FIG. 2

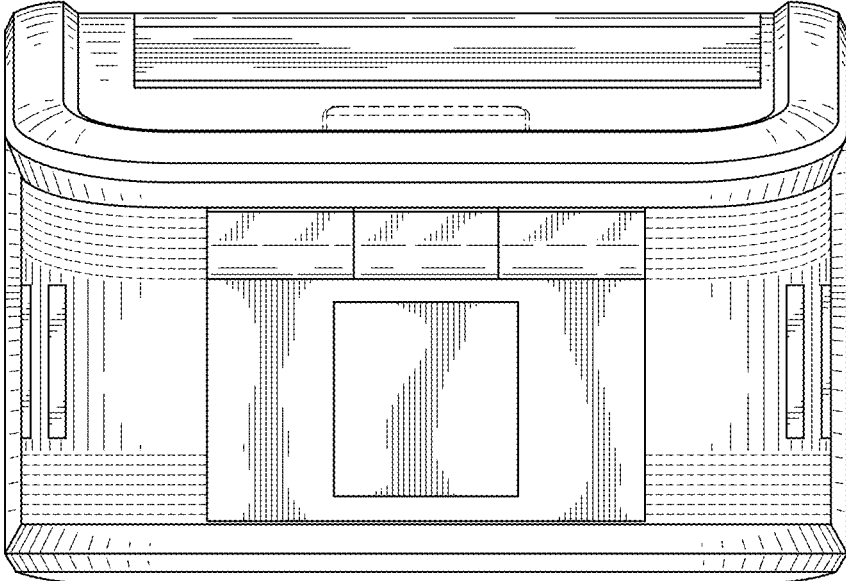


FIG. 3

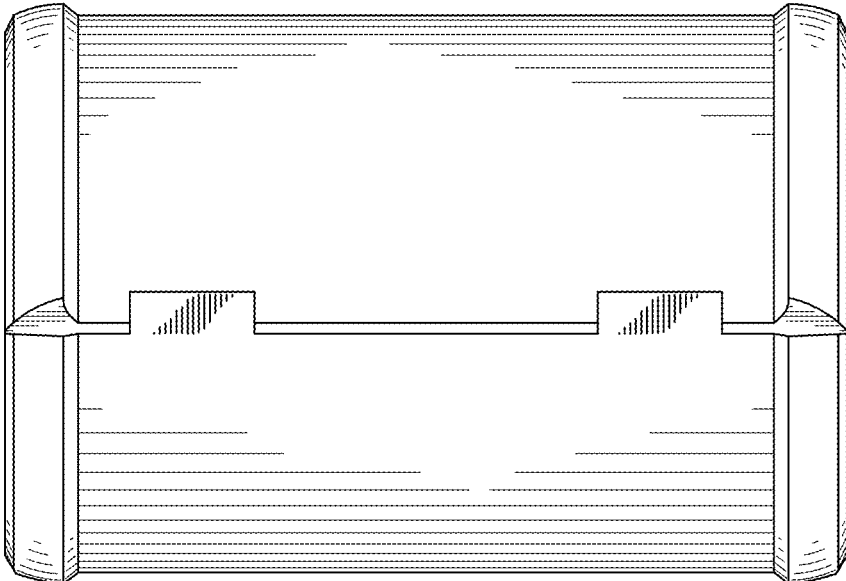


FIG. 4

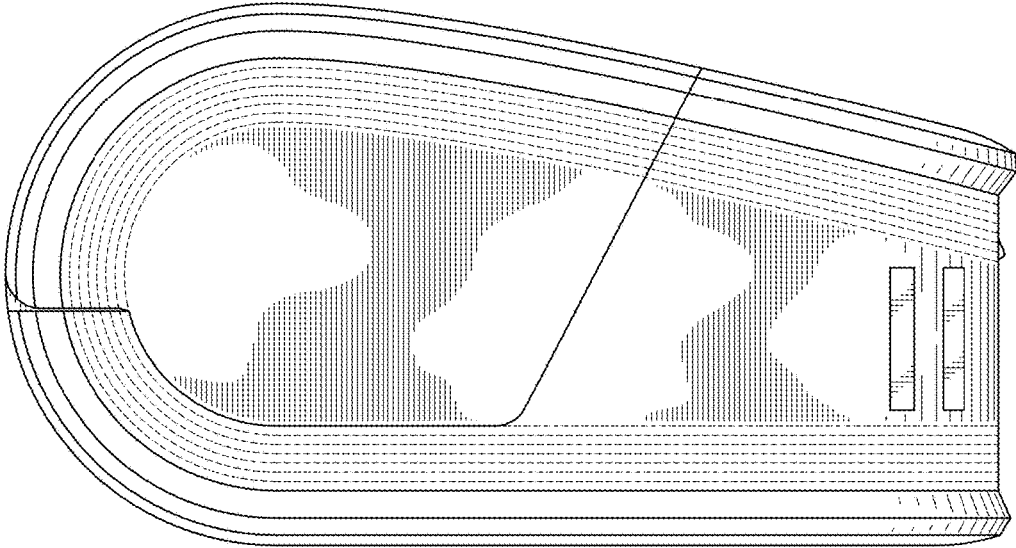


FIG. 5

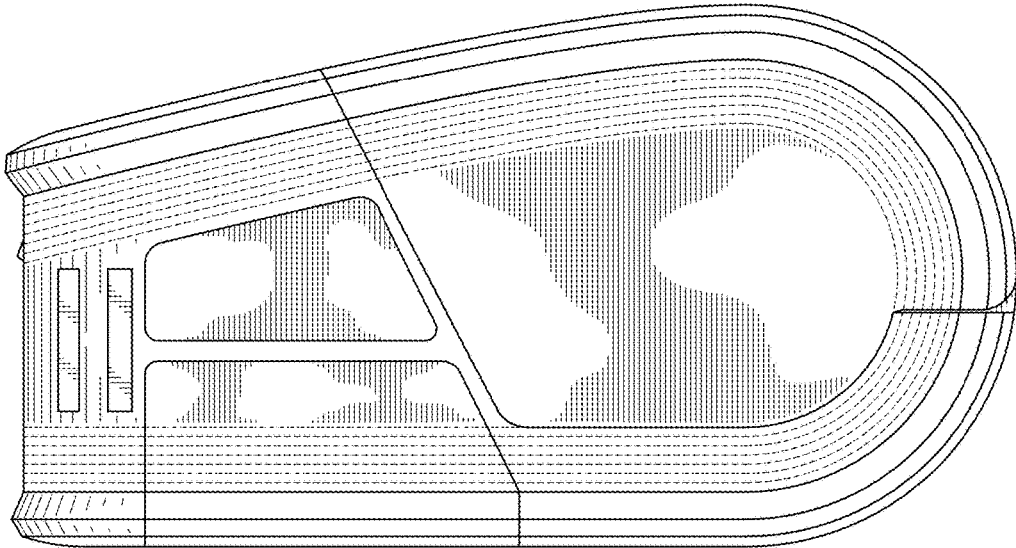


FIG. 6

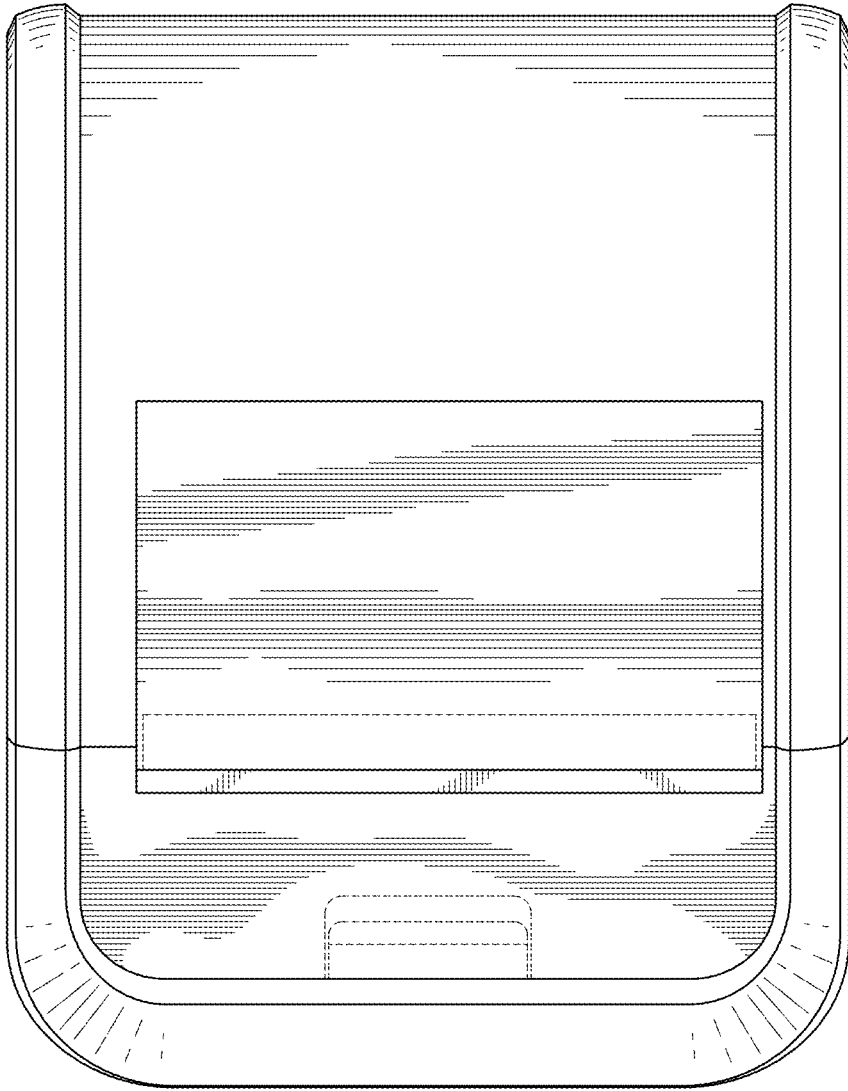


FIG. 7

