



US00D989546S

(12) **United States Design Patent**  
**Tehrani et al.**

(10) **Patent No.:** **US D989,546 S**

(45) **Date of Patent:** **\*\* Jun. 20, 2023**

- (54) **COOKWARE ASSEMBLY**
- (71) Applicant: **Lagom Kitchen Co.**, Culver City, CA (US)
- (72) Inventors: **Amir Tehrani**, Los Angeles, CA (US);  
**Zachary Rosner**, Los Angeles, CA (US);  
**Melinda Olsen**, Los Angeles, CA (US)
- (73) Assignee: **Lagom Kitchen Co.**, Culver City, CA (US)
- (\*\*) Term: **15 Years**

D587,519 S 3/2009 Cheng  
 D752,912 S \* 4/2016 Venot ..... D7/354  
 D756,163 S 5/2016 Gabbay  
 D797,494 S 9/2017 Mirchandani  
 D812,414 S \* 3/2018 Kastner ..... D7/361  
 (Continued)

**FOREIGN PATENT DOCUMENTS**

CA 2455023 A1 7/2004  
 DE 8521152 U1 10/1985  
 (Continued)

**OTHER PUBLICATIONS**

Our Place Always Pan, The New York Times, Oct. 19, 2021.  
<https://www.nytimes.com/wirecutter/reviews/always-pan-our-place/> (Year: 2021).\*

(Continued)

*Primary Examiner* — Ricky Pham  
 (74) *Attorney, Agent, or Firm* — Banner & Witcoff, Ltd.

- (21) Appl. No.: **29/831,645**
- (22) Filed: **Mar. 22, 2022**
- (51) **LOC (14) Cl.** ..... **07-02**
- (52) **U.S. Cl.**  
USPC ..... **D7/360**; D7/354; D7/361
- (58) **Field of Classification Search**  
USPC ..... D7/323, 354–363, 391, 393–396, 409  
CPC ..... A47G 19/12; A47J 27/00; A47J 27/002;  
A47J 27/08; A47J 27/21; A47J 27/58;  
A47J 36/025; A47J 36/06; A47J 36/12;  
A47J 37/00; A47J 37/10; A47J 37/101;  
A47J 37/103; A47J 37/12; A47J 37/1204;  
A47J 45/061; A47J 45/071; A47J 45/08;  
B65D 25/28; H05B 6/12  
See application file for complete search history.

(57) **CLAIM**

The ornamental design for a cookware assembly, as shown and described.

**DESCRIPTION**

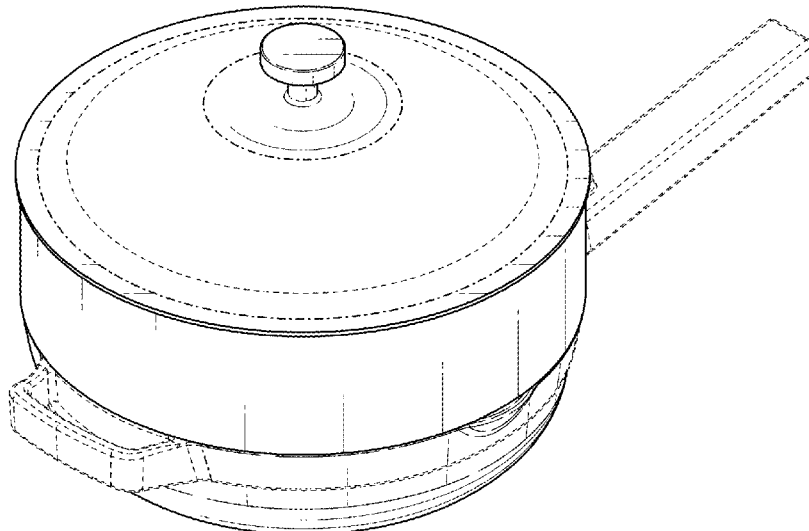
FIG. 1 is a perspective view of a cookware assembly showing our design;  
 FIG. 2 is a front elevation view thereof;  
 FIG. 3 is a rear elevation view thereof;  
 FIG. 4 is a left side elevation view thereof;  
 FIG. 5 is a right side elevation view thereof;  
 FIG. 6 is a top view thereof; and,  
 FIG. 7 is a bottom view thereof.

The dotted lines represent portions of the cookware assembly that form no part of the claimed design. The dot-dash-dot lines represent boundaries between claimed and unclaimed subject matter.

(56) **References Cited**  
**U.S. PATENT DOCUMENTS**

D41,717 S 8/1911 Swan  
 4,310,418 A 1/1982 Busbey  
 D363,851 S 11/1995 Chen  
 D370,826 S 6/1996 Thurlow  
 D469,655 S 2/2003 Ryan  
 6,848,592 B2 2/2005 Logiudice  
 D580,214 S 11/2008 Dodane  
 D587,062 S 2/2009 Ek

**1 Claim, 5 Drawing Sheets**



(56)

References Cited

U.S. PATENT DOCUMENTS

D814,859	S	*	4/2018	Kastner .....	D7/394
D819,393	S		6/2018	Dodane	
D850,186	S		6/2019	Livingston	
D852,576	S		7/2019	Jamison	
D879,546	S		3/2020	Hollinger	
D880,222	S		4/2020	Hollinger	
D883,731	S		5/2020	Tsai	
D888,490	S		6/2020	Li	
D916,547	S	*	4/2021	Tehrani .....	D7/361
D923,388	S	*	6/2021	Dorion .....	D7/360
D924,622	S	*	7/2021	Turner .....	D7/354
D945,812	S	*	3/2022	McVey .....	D7/354
D972,878	S	*	12/2022	Olsen .....	D7/360
D972,881	S	*	12/2022	Tehrani .....	D7/391
D973,421	S	*	12/2022	Piksa .....	D7/360
D975,495	S	*	1/2023	Olsen .....	D7/391
D976,052	S	*	1/2023	Olsen .....	D7/360
2013/0037553	A1		2/2013	Bourbeau	
2017/0247143	A1*		8/2017	Gossens .....	B65D 25/28
2018/0368625	A1		12/2018	Wada	

FOREIGN PATENT DOCUMENTS

EM	007538731-0002	5/2020
EP	2976977 A1	1/2016
RU	2264152 C1	11/2005

OTHER PUBLICATIONS

Global Design News, Lagom Kitchen Company, Jul. 29, 2021. <https://globaldesignnews.com/tag/lagom-kitchen-company/> (Year: 2021).\*

Sensarte 12 Inch Nonstick Deep Frying Pan. Date First Available on Amazon.com Sep. 24, 2021. <https://www.amazon.com/Sensarte-Nonstick-NonStick-Induction-Compatible/dp/B09HWYBCXQ/ref> (Year: 2021).\*

International Search Report and Written Opinion issued by the Russian Federal Institute of Industrial Property for International Patent Application No. PCT/US2020/042498, dated Oct. 15, 2020. Always Pan, announced Dec. 16, 2019 [online], retrieved Sep. 25, 2020 from Internet, [https://fromourplace.com/products/always-essential-cooking-pan?utm\\_source=pepperjam&utm\\_medium=affiliate&utm\\_campaign=200286&clickId=3276306738](https://fromourplace.com/products/always-essential-cooking-pan?utm_source=pepperjam&utm_medium=affiliate&utm_campaign=200286&clickId=3276306738).

These Designers Created a Pan That Is Able to Replace Most of Your Cookware by Itself, announced Nov. 28, 2019 [online], retrieved Sep. 25, 2020 from Internet, <https://fortune.com/2019/11/28/our-place-always-pan-cookware-design/>.

A Pan for Just About Anything, announced Sep. 23, 2019 [online], retrieved Sep. 25, 2020 from Internet, <https://www.nytimes.com/2019/09/23/dining/always-pan-from-our-place.html>.

Non-Final Office Action issued by the United States Patent and Trademark Office for U.S. Appl. No. 29/748,445, dated Dec. 30, 2020.

Notice of Allowance issued by the United States Patent and Trademark Office for U.S. Appl. No. 29/748,445, dated Jun. 29, 2021.

Corrected Notice of Allowance issued by the United States Patent and Trademark Office for U.S. Appl. No. 29/748,445, dated Jul. 27, 2021.

Corrected Notice of Allowance issued by the United States Patent and Trademark Office for U.S. Appl. No. 29/748,445, dated Aug. 4, 2021.

\* cited by examiner

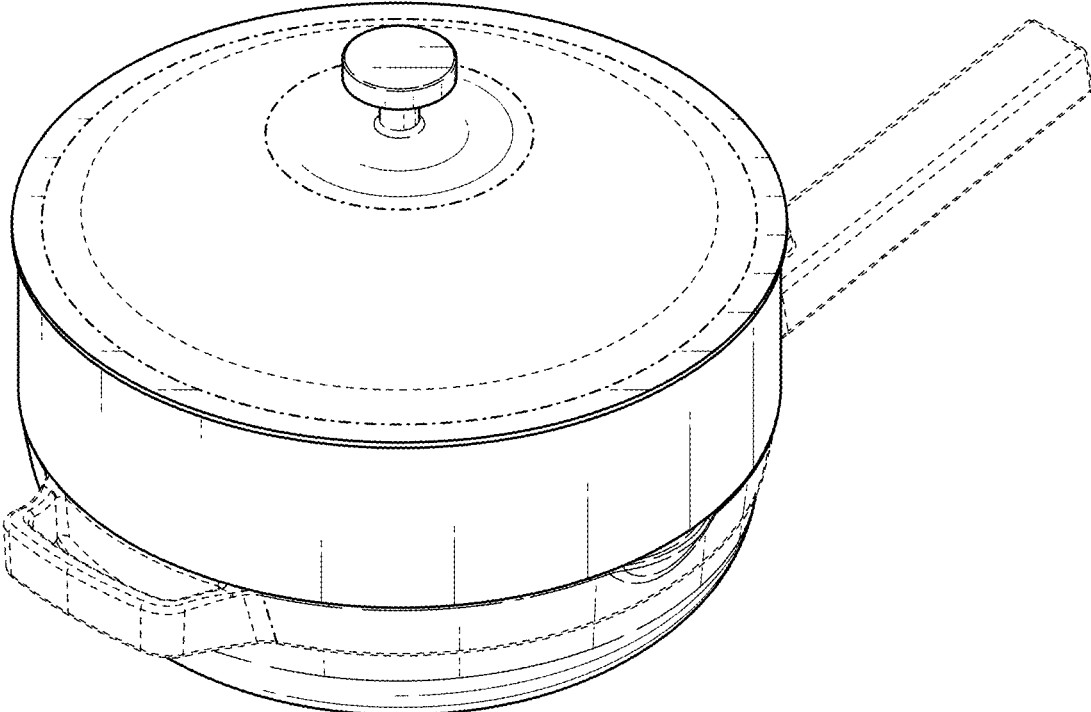


FIG. 1

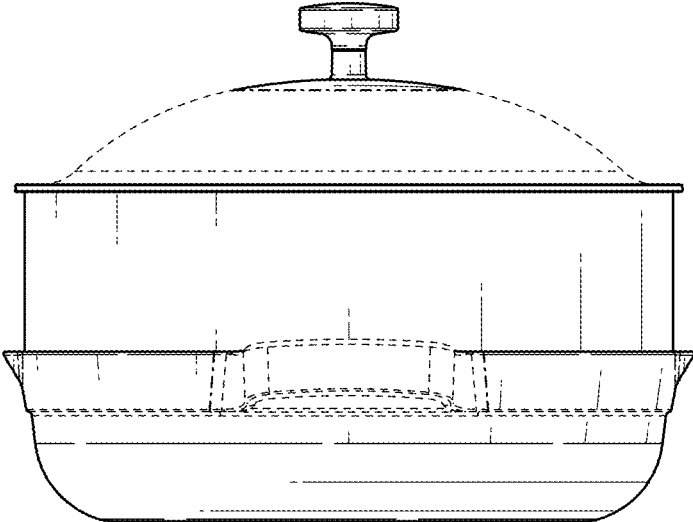


FIG. 2

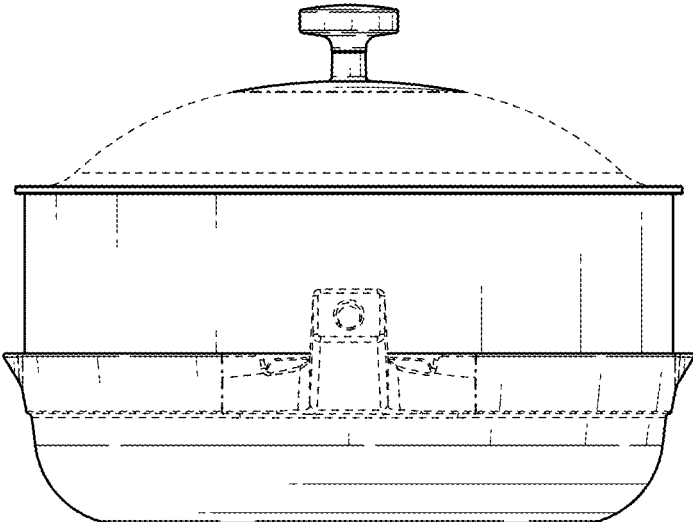


FIG. 3

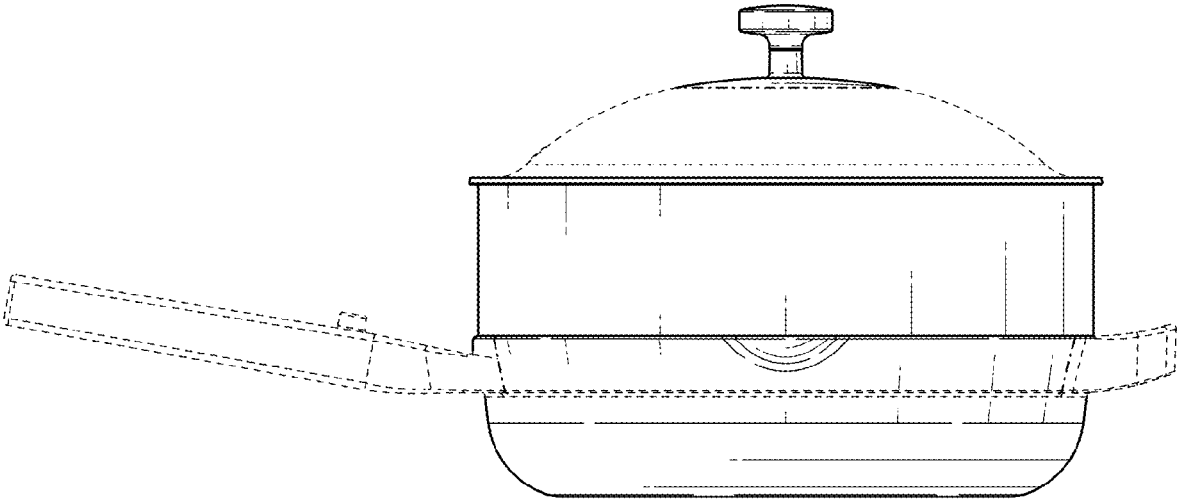


FIG. 4

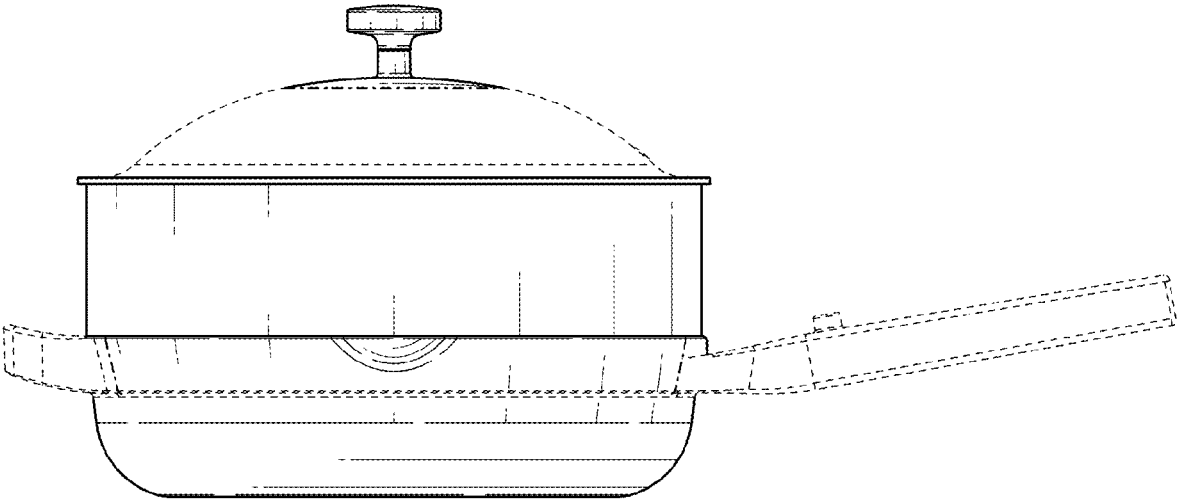


FIG. 5

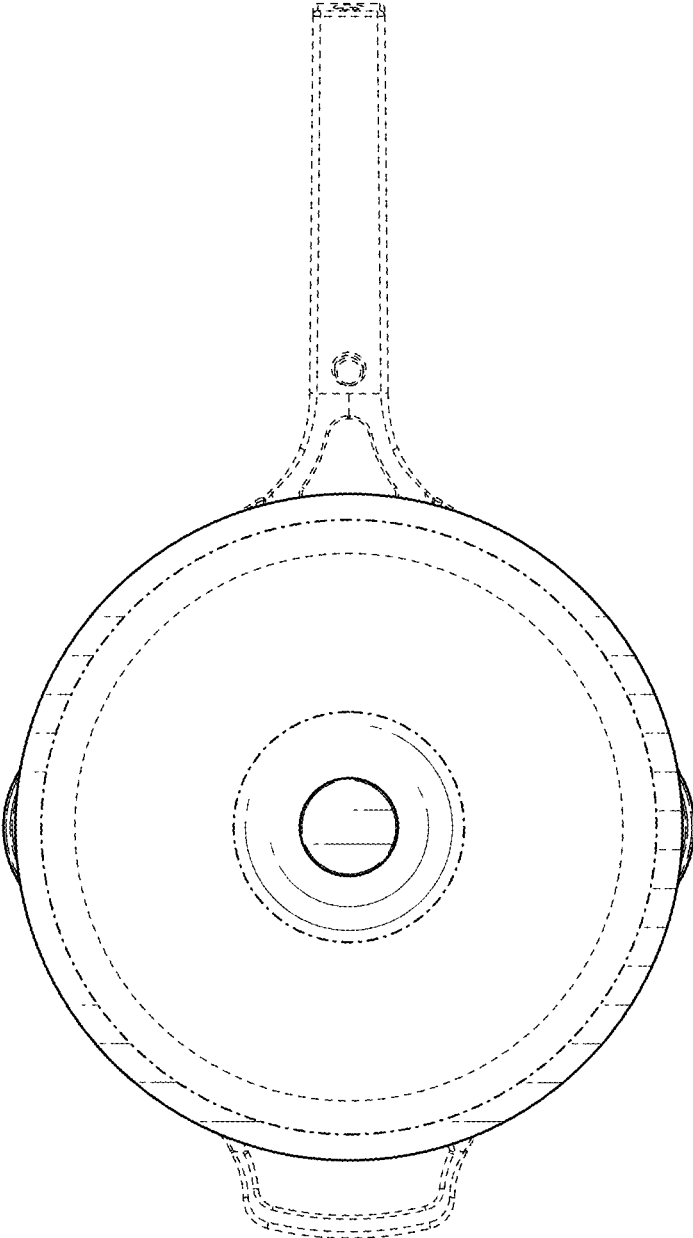


FIG. 6

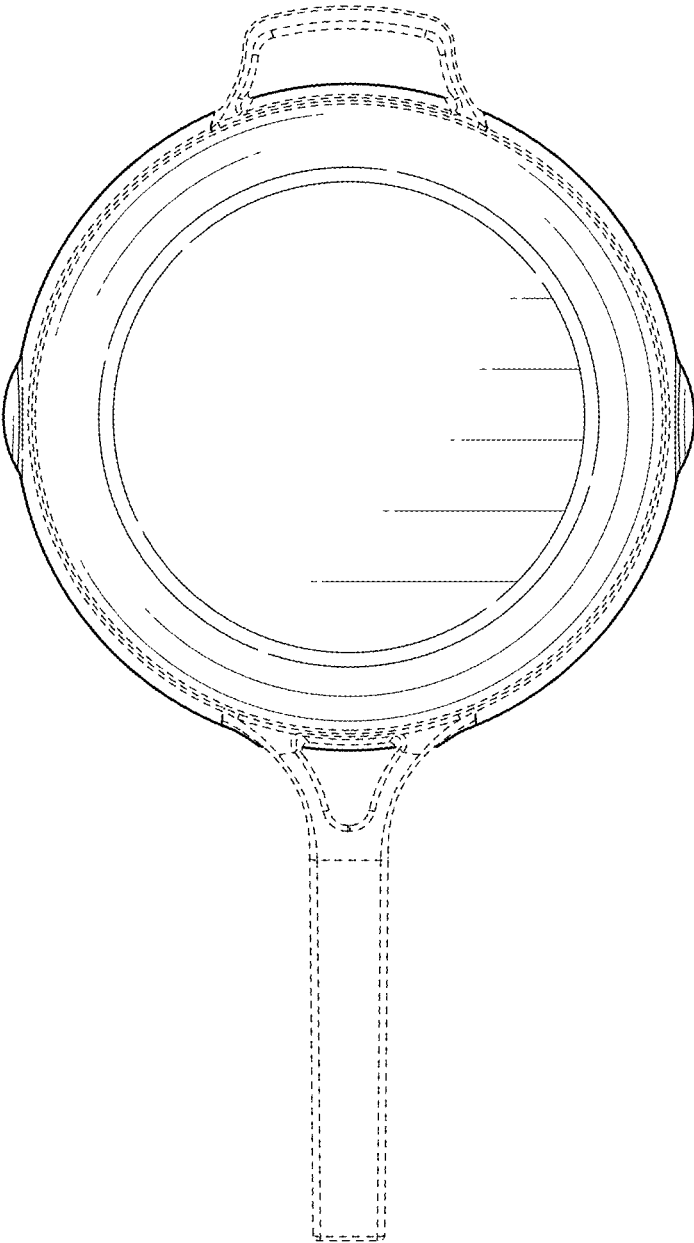


FIG. 7