



US00D373427S

United States Patent [19]

[11] **Patent Number:** **Des. 373,427**

Russom

[45] **Date of Patent:** ****Sep. 3, 1996**

[54] **TREE STAND**

Primary Examiner—Doris Clark
Attorney, Agent, or Firm—James A. Hudak

[76] **Inventor:** **Terry L. Russom**, 2404 Greene 624 Rd., Paragould, Ark. 72450

[57] **CLAIM**

[**] **Term:** **14 Years**

The ornamental design for a tree stand, as shown and described.

[21] **Appl. No.:** **38,545**

DESCRIPTION

[22] **Filed:** **May 8, 1995**

[52] **U.S. Cl.** **D25/62**

[58] **Field of Search** D25/62; 182/115-116, 182/182, 187, 191, 206, 152, 188, 133-136

FIG. 1 is a perspective view of the tree stand showing my new design;

FIG. 2 is a front elevational view thereof;

FIG. 3 is a rear elevational view thereof;

FIG. 4 is a left side elevational view thereof, the right side elevational view being a mirror image of the view shown in this FIG.;

FIG. 5 is a top plan view thereof; and,

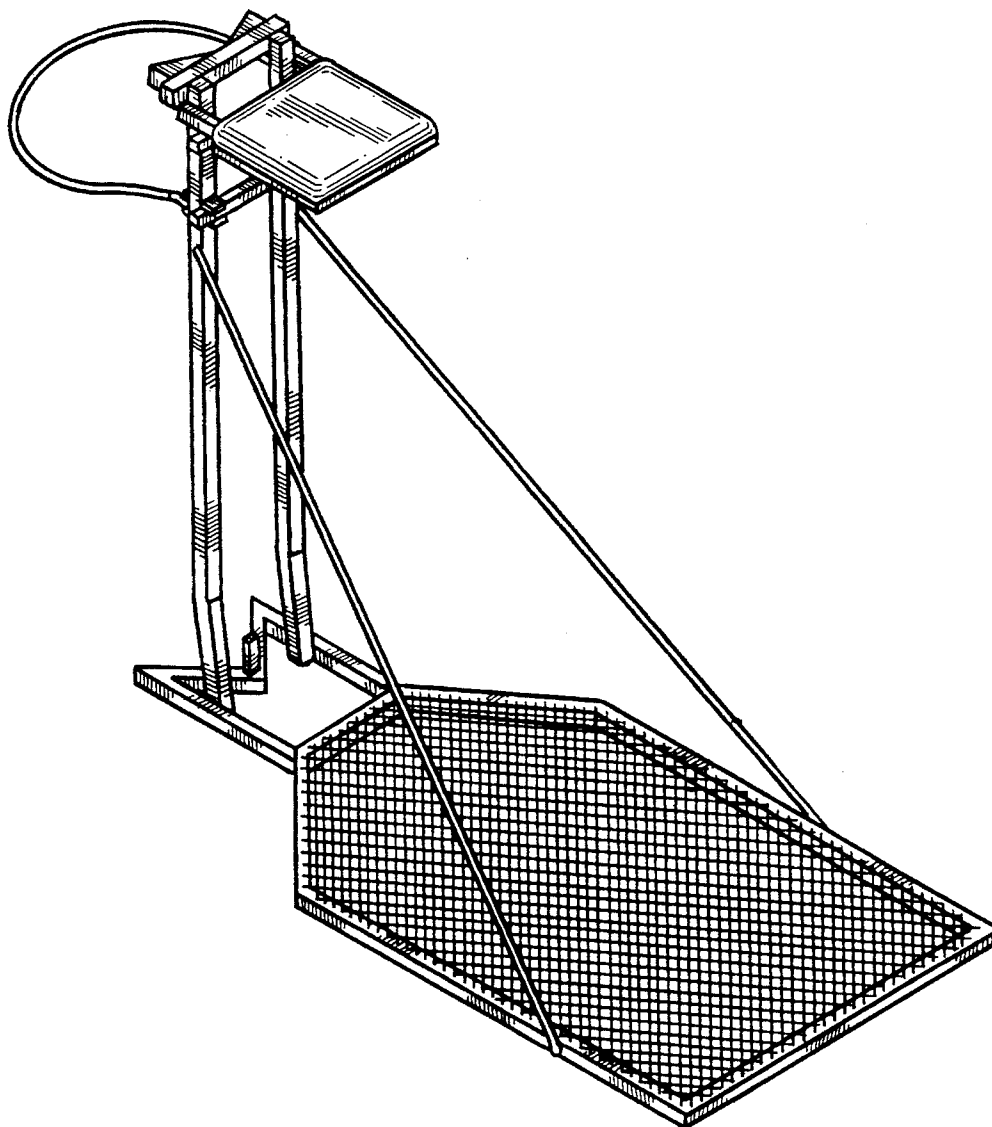
FIG. 6 is a bottom plan view thereof.

[56] **References Cited**

U.S. PATENT DOCUMENTS

D. 306,488	3/1990	Mosburg	D25/62
5,105,910	4/1992	Engstrom	182/187
5,186,276	2/1993	Craig	182/187
5,205,375	4/1993	Shriver	182/187
5,234,076	8/1993	Louk et al.	182/187

1 Claim, 4 Drawing Sheets



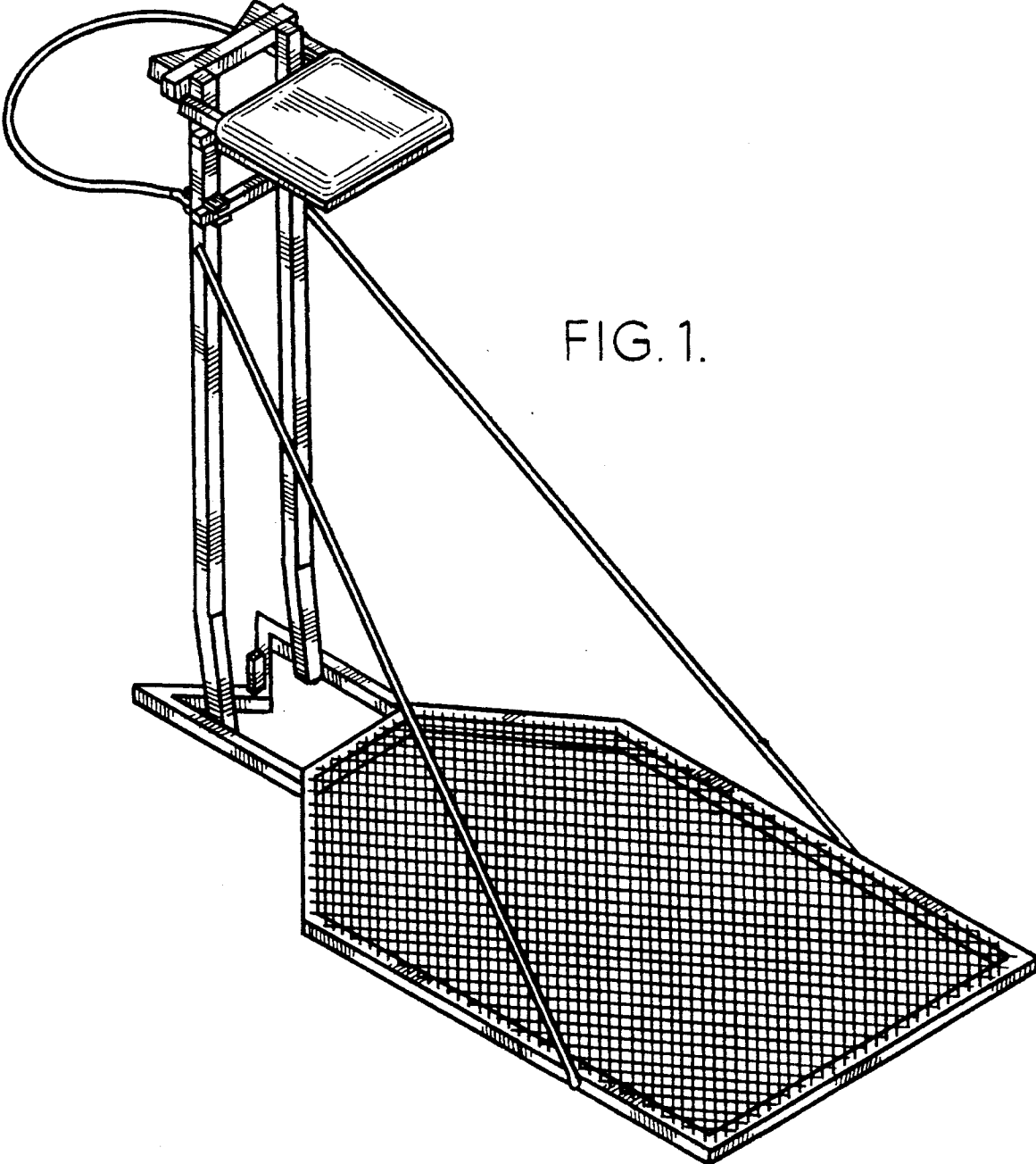


FIG. 1.

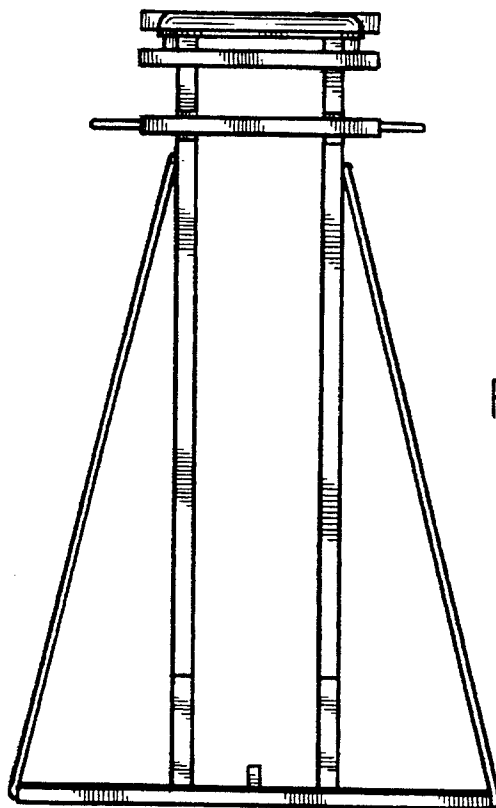


FIG. 2.

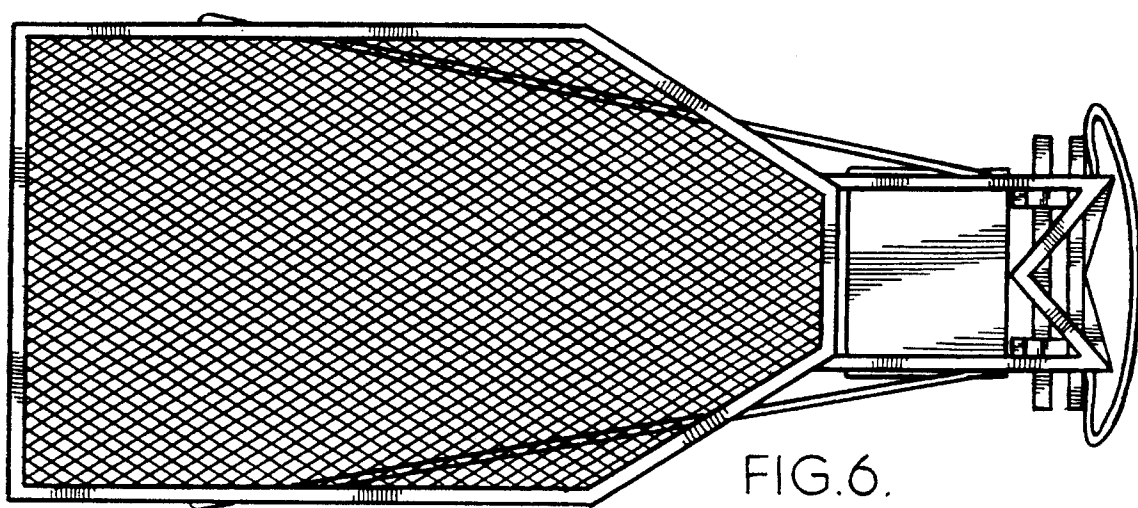


FIG. 6.

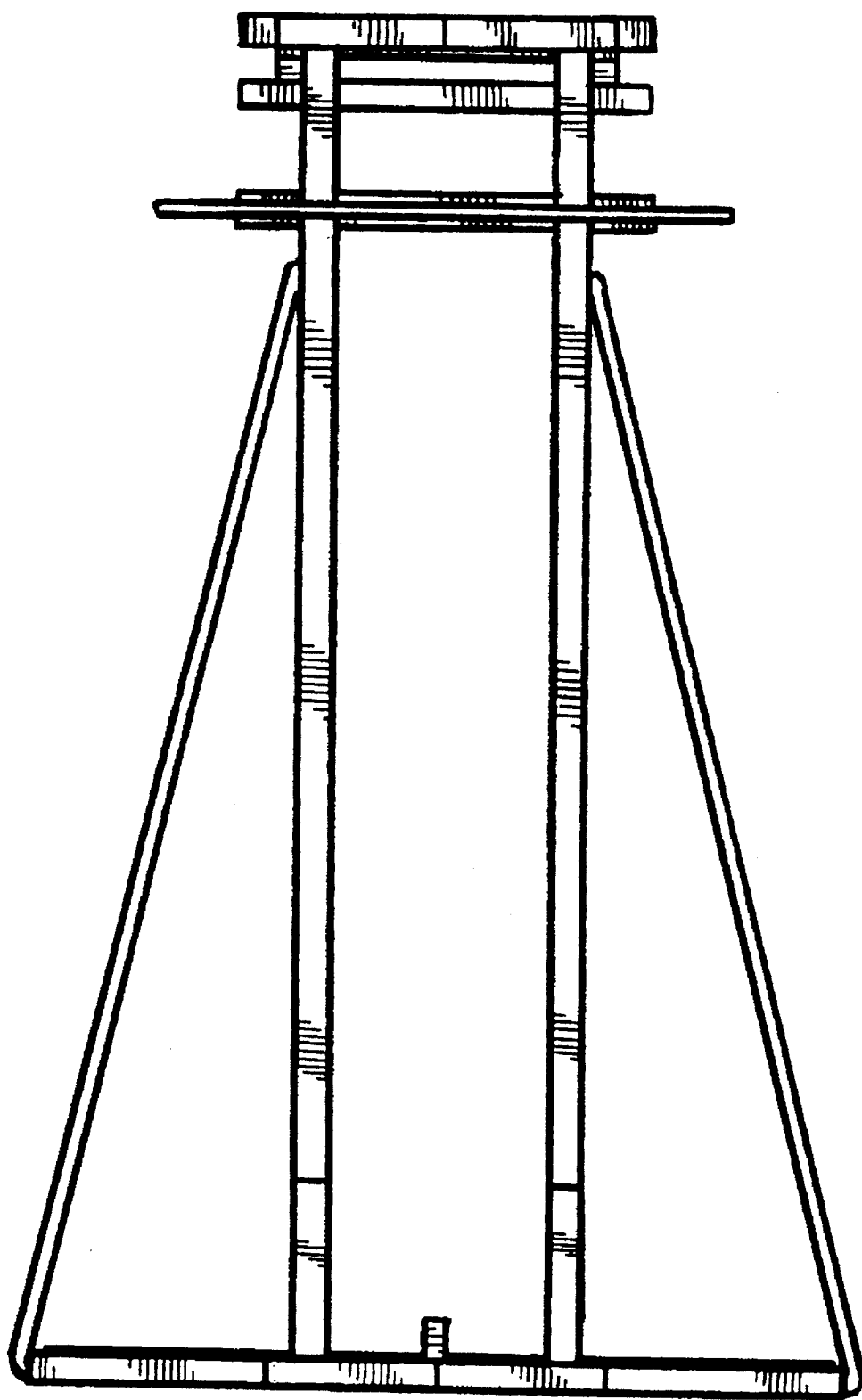


FIG. 3.

