



US00D529065S

(12) **United States Design Patent**  
**Watanabe**

(10) **Patent No.:** **US D529,065 S**

(45) **Date of Patent:** **\*\* Sep. 26, 2006**

(54) **LENS HOOD**

(75) Inventor: **Akira Watanabe**, Saitama (JP)

(73) Assignee: **PENTAX Corporation**, Tokyo (JP)

(\*\*) Term: **14 Years**

(21) Appl. No.: **29/224,475**

(22) Filed: **Mar. 3, 2005**

(30) **Foreign Application Priority Data**

Sep. 8, 2004 (JP) ..... 2004-027273

(51) **LOC (8) Cl.** ..... **16-05**

(52) **U.S. Cl.** ..... **D16/219**; D16/134

(58) **Field of Classification Search** ..... D16/134,  
D16/136, 200, 202, 203, 204, 217, 218, 219;  
348/373-375; 358/909.1; 359/811, 815, 819,  
359/826, 827, 828; 396/529-532, 535, 540,  
396/541, 544

See application file for complete search history.

(56) **References Cited**

**U.S. PATENT DOCUMENTS**

1,262,347 A \* 4/1918 Ide ..... D16/134

3,896,463 A \* 7/1975 Laskey ..... 396/544  
4,390,263 A \* 6/1983 Sumita ..... 396/529  
D339,599 S \* 9/1993 Tiffen ..... D16/219  
D505,147 S \* 5/2005 Koren ..... D16/219

\* cited by examiner

*Primary Examiner*—Adir Aronovich

(74) *Attorney, Agent, or Firm*—Sughrue Mion, PLLC

(57) **CLAIM**

The ornamental design for a lens hood, as shown.

**DESCRIPTION**

FIG. 1 is a perspective view of the front, top and right side of a lens hood showing my new design;

FIG. 2 is a perspective view of the rear, top and left side view thereof;

FIG. 3 is a front elevational view thereof;

FIG. 4 is a rear elevational view thereof;

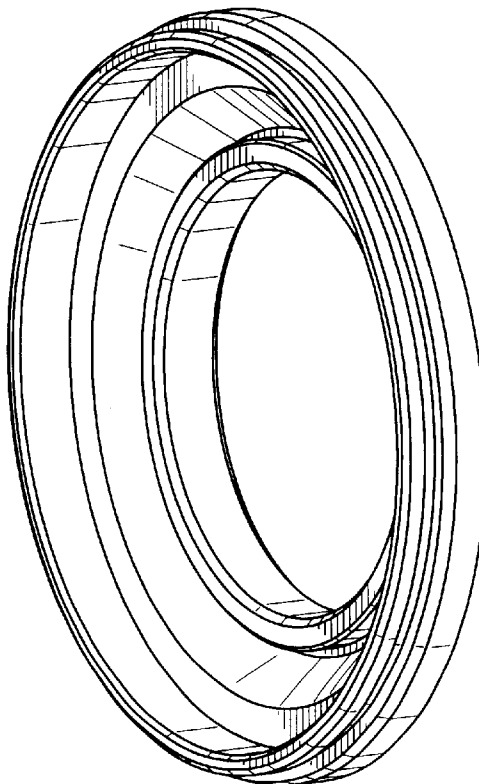
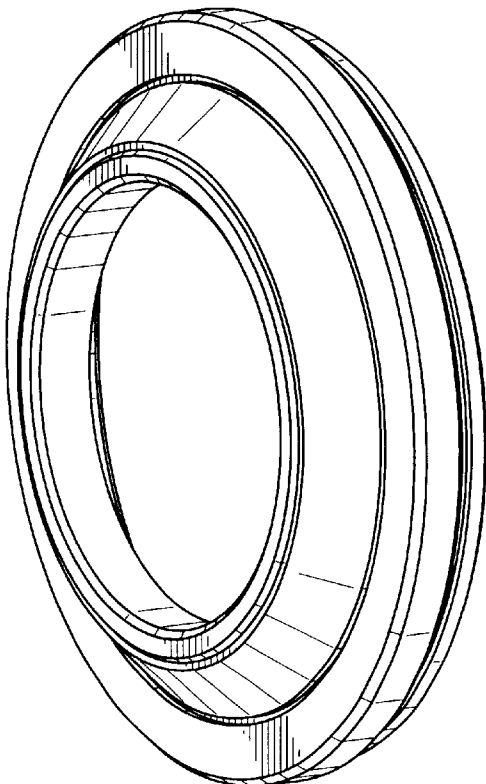
FIG. 5 is a left side elevational view thereof;

FIG. 6 is a right side elevational view thereof;

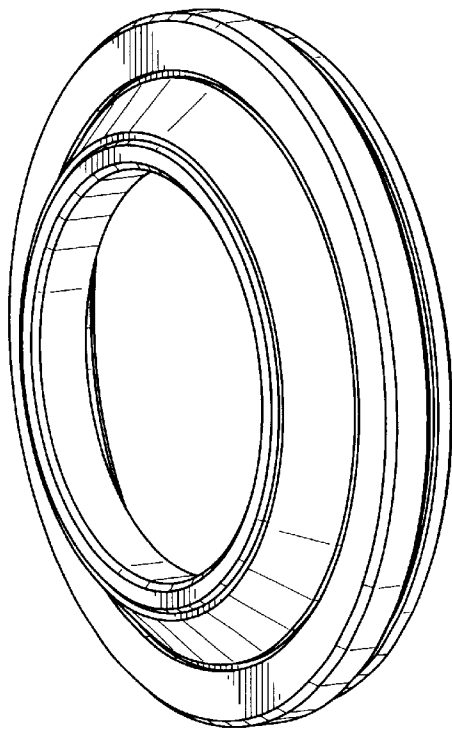
FIG. 7 is a top plan view thereof; and,

FIG. 8 is a bottom plan view thereof.

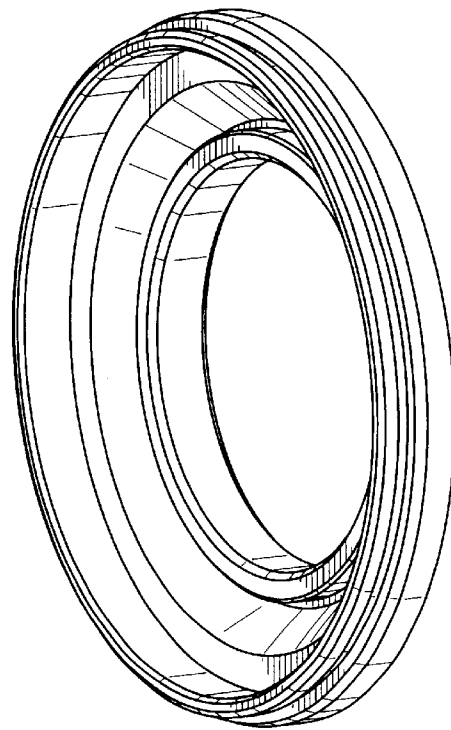
**1 Claim, 3 Drawing Sheets**



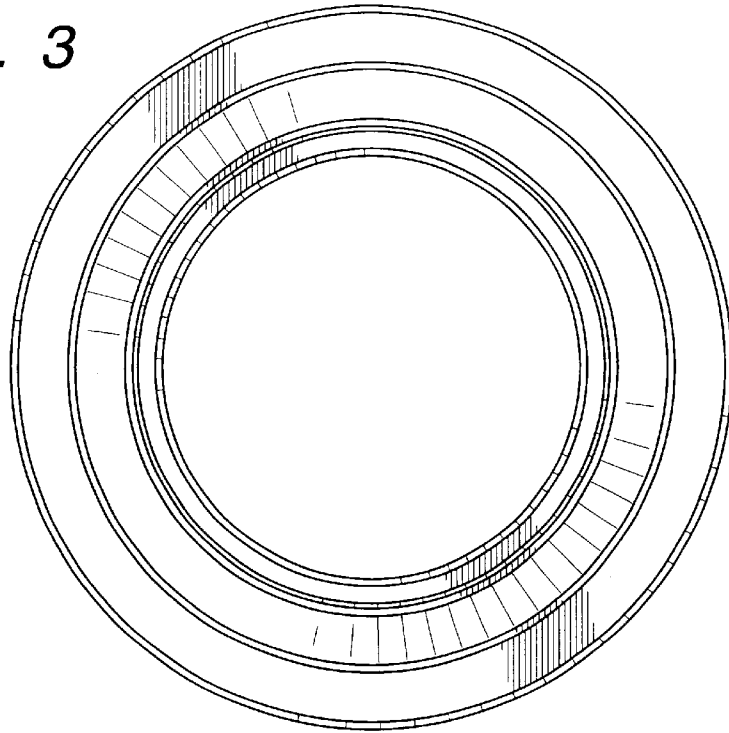
*FIG. 1*



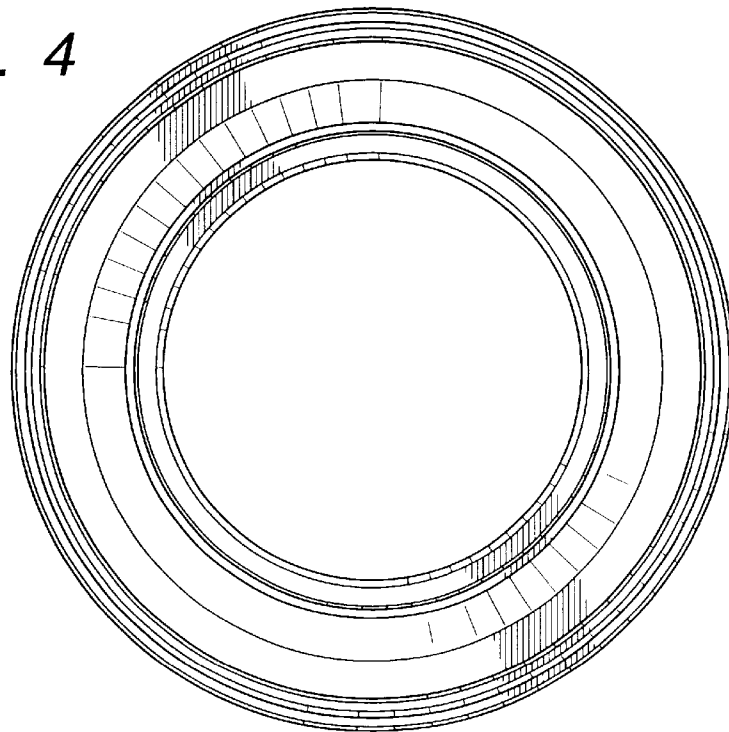
*FIG. 2*



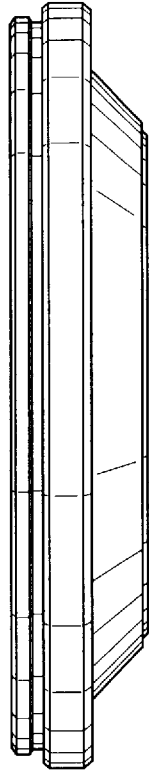
*FIG. 3*



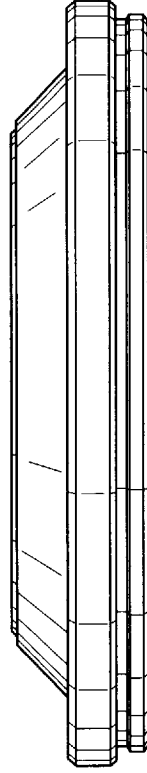
*FIG. 4*



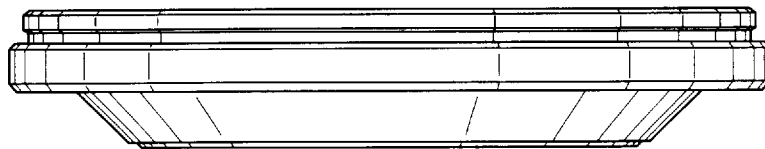
*FIG. 5*



*FIG. 6*



*FIG. 7*



*FIG. 8*

