



US00D578066S

(12) **United States Design Patent**
So

(10) **Patent No.:** **US D578,066 S**

(45) **Date of Patent:** **** Oct. 7, 2008**

(54) **TERMINAL CONNECTOR**

(75) Inventor: **Shun Tong So**, Hong Kong (CN)

(73) Assignee: **Morning Star Industrial Company Limited**, Kwun Tong (HK)

(**) Term: **14 Years**

(21) Appl. No.: **29/265,280**

(22) Filed: **Aug. 29, 2006**

(51) **LOC (8) Cl.** **13-03**

(52) **U.S. Cl.** **D13/147; D13/133**

(58) **Field of Classification Search** D13/133,
D13/146, 147, 154, 184, 199; D14/140,
D14/217, 240, 256, 299, 356; 439/344, 538,
439/535-536, 540.1, 571, 573, 638, 650,
439/676

See application file for complete search history.

(56) **References Cited**

U.S. PATENT DOCUMENTS

4,997,386	A *	3/1991	Kawachi et al.	439/352
5,879,199	A *	3/1999	Belopolsky	439/701
D421,964	S *	3/2000	Nagasawa et al.	D13/147
6,123,564	A *	9/2000	Belmore, III	439/344
D432,991	S *	10/2000	Taguchi	D13/147

6,203,379	B1 *	3/2001	Cai et al.	439/676
D521,504	S *	5/2006	Nagel et al.	D14/240
2005/0101194	A1 *	5/2005	Deng et al.	439/676

* cited by examiner

Primary Examiner—Daniel Bui
(74) *Attorney, Agent, or Firm*—McDermott Will & Emery LLP

(57) **CLAIM**

The ornamental design for a terminal connector, substantially as shown and described.

DESCRIPTION

FIG. 1 is a front view of the terminal connector, showing my new design;

FIG. 2 is a rear view of the terminal connector;

FIG. 3 is a side view of the terminal connector;

FIG. 4 is another side view of the terminal connector;

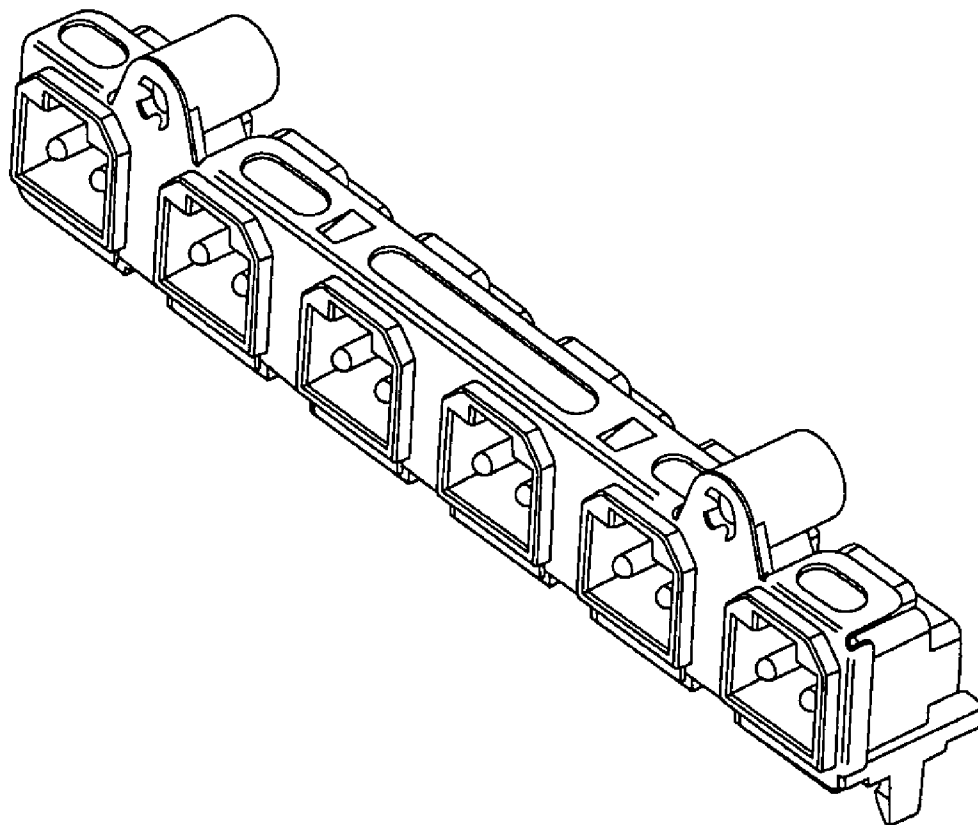
FIG. 5 is a top view of the terminal connector;

FIG. 6 is bottom view of the terminal connector; and,

FIG. 7 is a front perspective view of the terminal connector.

The broken line showing of the environment is for illustrative purposes only and forms no part of the claimed design.

1 Claim, 6 Drawing Sheets



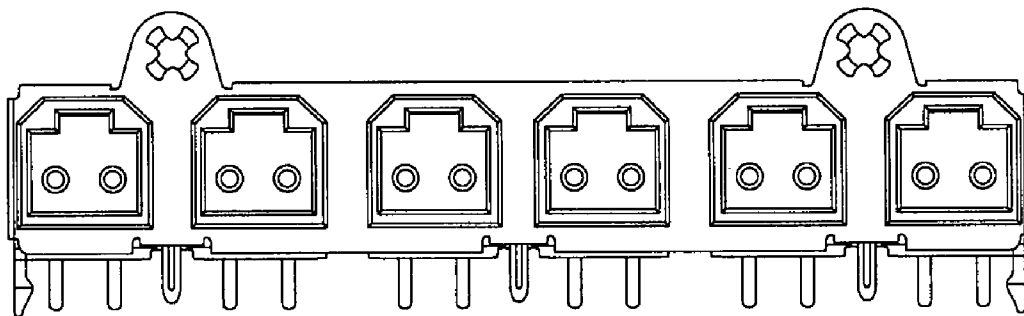


FIG. 1

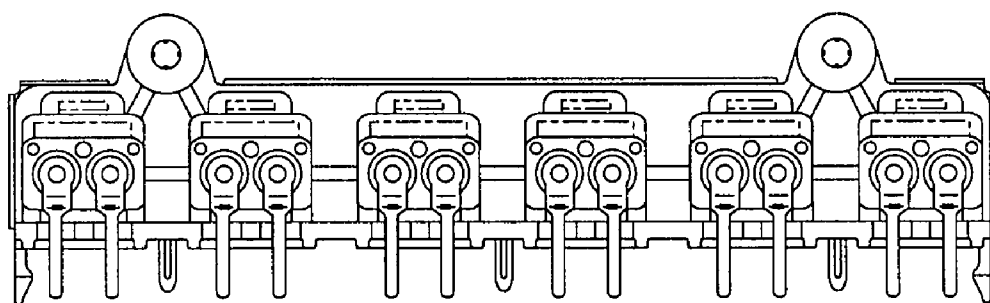


FIG. 2

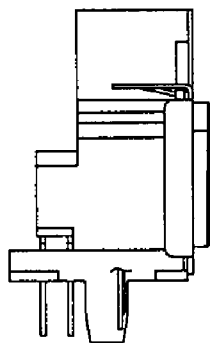


FIG. 3

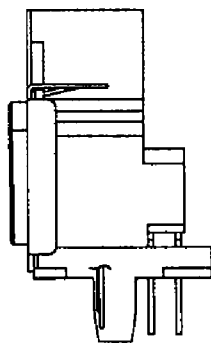


FIG. 4

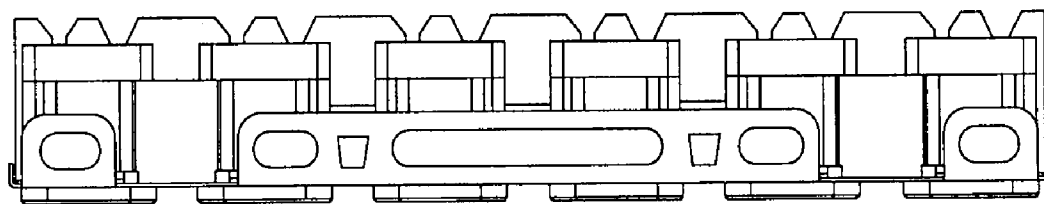


FIG. 5

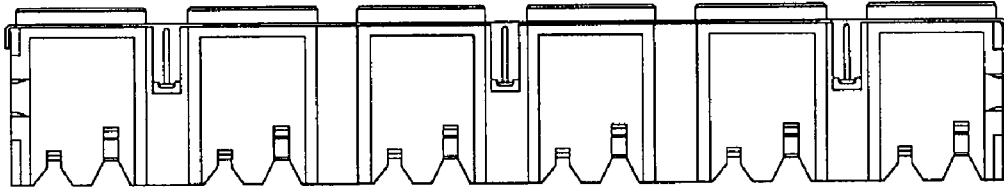


FIG. 6

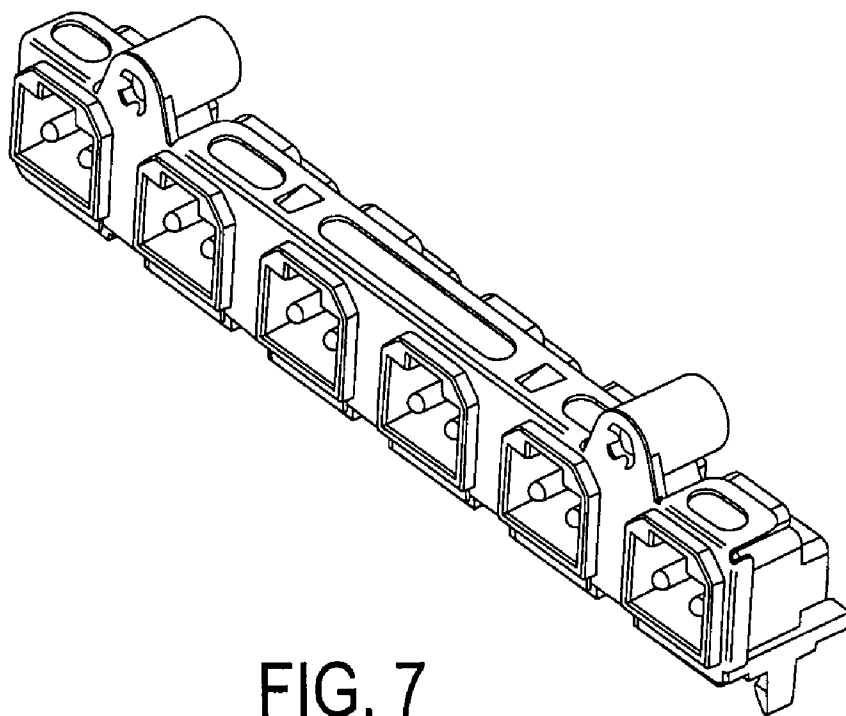


FIG. 7