



US00D809139S

(12) **United States Design Patent**
Marsot et al.

(10) **Patent No.:** **US D809,139 S**
(45) **Date of Patent:** **** Jan. 30, 2018**

(54) **HANDLE FOR A MEDICAL DEVICE**
(71) Applicant: **Evalve, Inc.**, Menlo Park, CA (US)
(72) Inventors: **Travis R. Marsot**, Mountain View, CA (US); **Randall S. Koplín**, Middleton, WI (US); **Justen D. England**, San Francisco, CA (US); **Patricia H. Ho**, Redwood City, CA (US); **Douglas S. Rodenkirch**, Sun Prairie, WI (US); **Christopher T. Strahm**, Deforest, WI (US)

2010/0252293 A1* 10/2010 Lopano B25F 5/02
173/170
2012/0253329 A1* 10/2012 Zemlok A61B 17/072
606/1
2014/0012287 A1 1/2014 Oyola et al.
2014/0025103 A1 1/2014 Hundertmark et al.
2014/0171923 A1* 6/2014 Aranyi A61B 17/00
606/1
2014/0196923 A1* 7/2014 Leupert B25F 5/02
173/170

(Continued)

FOREIGN PATENT DOCUMENTS

(73) Assignee: **EVALVE, INC.**, Menlo Park, CA (US)

GB 2222951 3/1990

(**) Term: **15 Years**

OTHER PUBLICATIONS

(21) Appl. No.: **29/505,404**

U.S. Appl. No. 14/879,726, filed Oct. 9, 2015, Marsot et al.

(22) Filed: **Oct. 9, 2015**

Primary Examiner — Robert M Spear

(51) **LOC (11) Cl.** **24-02**

Assistant Examiner — Eliza Bennett-Hattan

(52) **U.S. Cl.**
USPC **D24/145**

(74) *Attorney, Agent, or Firm* — Workman Nydegger,
Ron Devore

(58) **Field of Classification Search**
USPC D24/108, 112, 117, 118, 130, 133, 135,
D24/137, 138, 222, 141, 111, 113, 127,
D24/143, 144, 145, 148, 179, 216, 152,
D24/153, 154, 176, 170
CPC .. A61F 2/95; A61F 2002/9517; A61F 2/2466;
A61M 25/0136; A61M 37/0069; A61M
2210/125; A61M 31/00; A61B
2017/00243; A61B 2017/3488; A61B
2017/00247; A61B 5/042; A61B 17/2909;
A61N 2001/058
See application file for complete search history.

(57) **CLAIM**

The ornamental design for a handle for a medical device, as shown and described.

DESCRIPTION

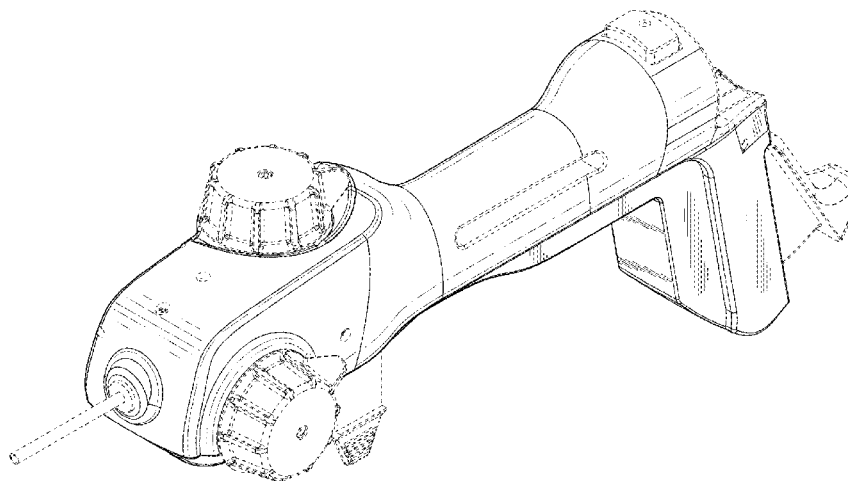
FIG. 1 is a perspective view of a handle for a medical device showing the new design;
FIG. 2 is a bottom perspective view thereof;
FIG. 3 is a top plan view thereof;
FIG. 4 is a bottom plan view thereof;
FIG. 5 is a left side elevation thereof;
FIG. 6 is a right side elevation thereof;
FIG. 7 is a front elevational view thereof; and,
FIG. 8 is a rear elevational view thereof.
The broken lines in the drawings depict environmental subject matter only and form no part of the claimed design.

(56) **References Cited**

U.S. PATENT DOCUMENTS

7,666,204 B2 2/2010 Thornton et al.
8,216,256 B2 7/2012 Raschdorf, Jr. et al.
D668,334 S * 10/2012 Makowski D24/138
D740,414 S * 10/2015 Katsura D24/133

1 Claim, 6 Drawing Sheets



(56)

References Cited

U.S. PATENT DOCUMENTS

2015/0060516 A1* 3/2015 Collings A61B 17/07207
227/175.1

* cited by examiner

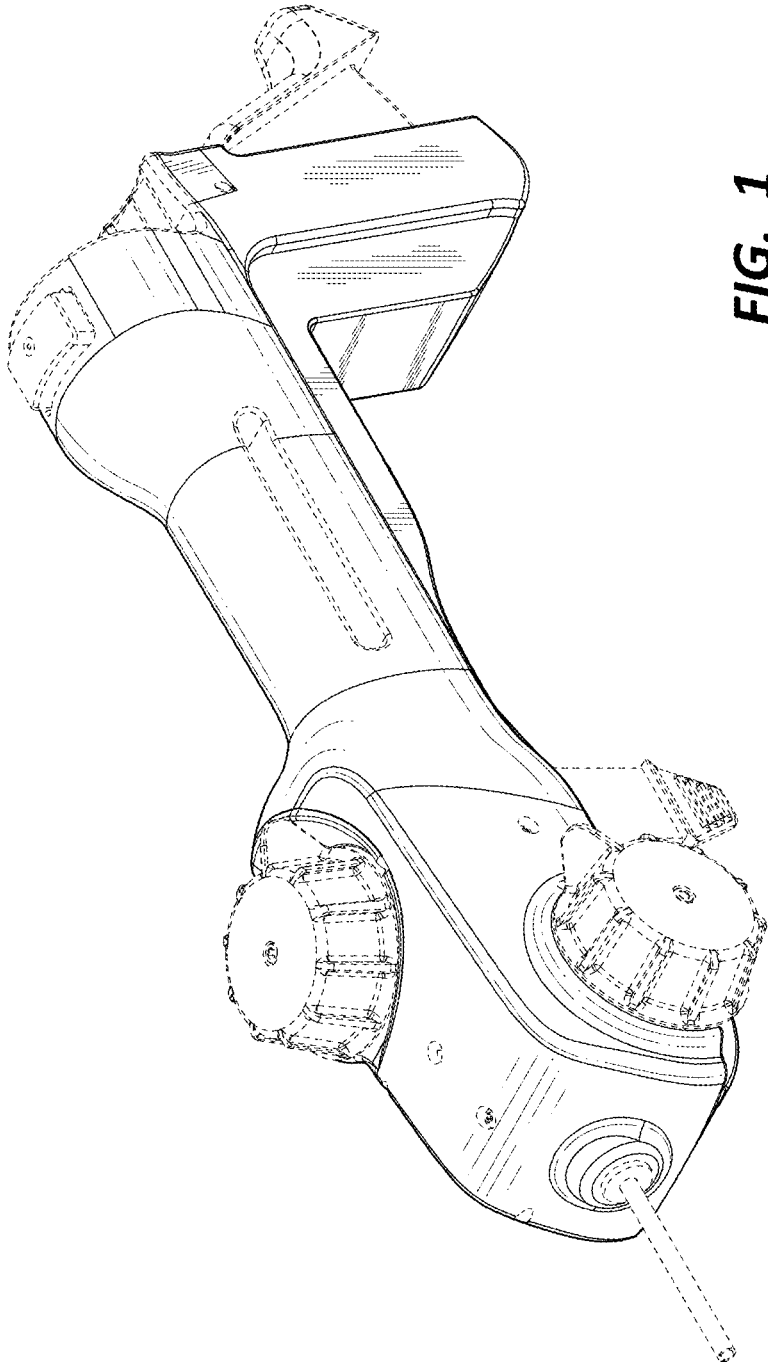


FIG. 1

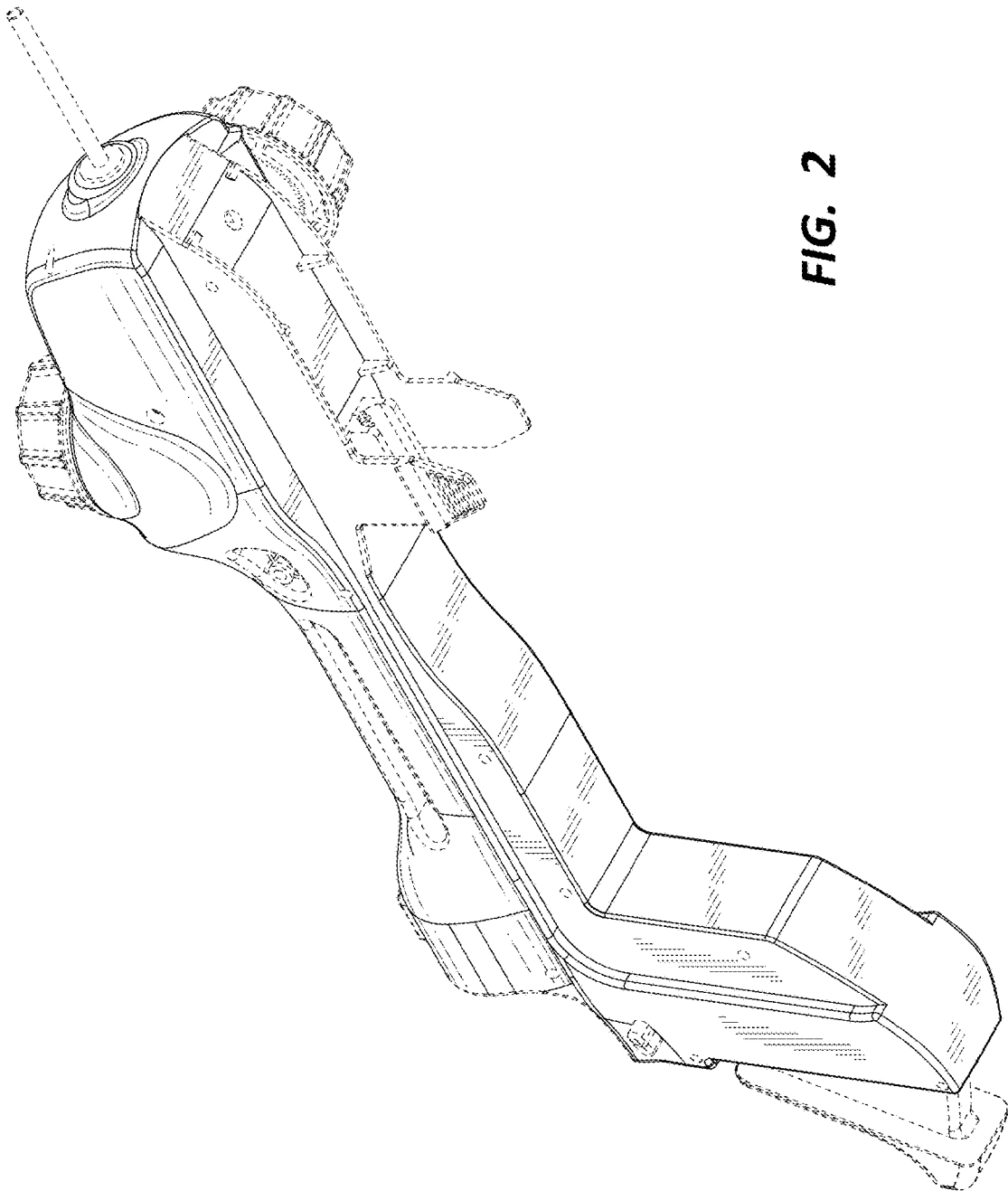


FIG. 2

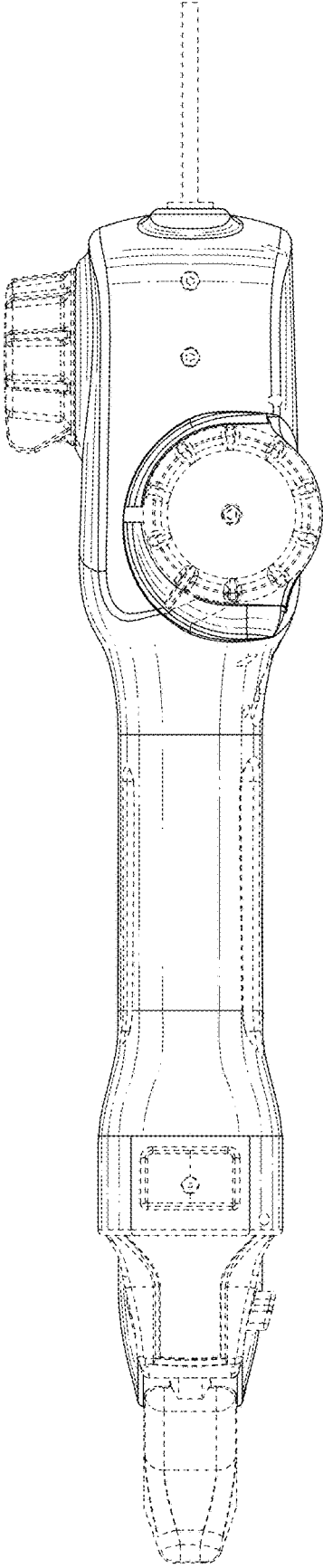


FIG. 3

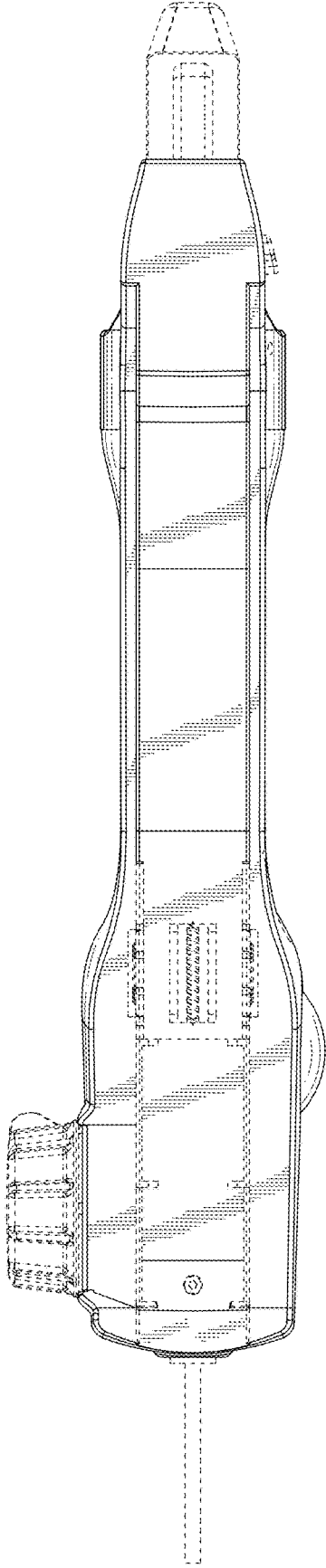


FIG. 4

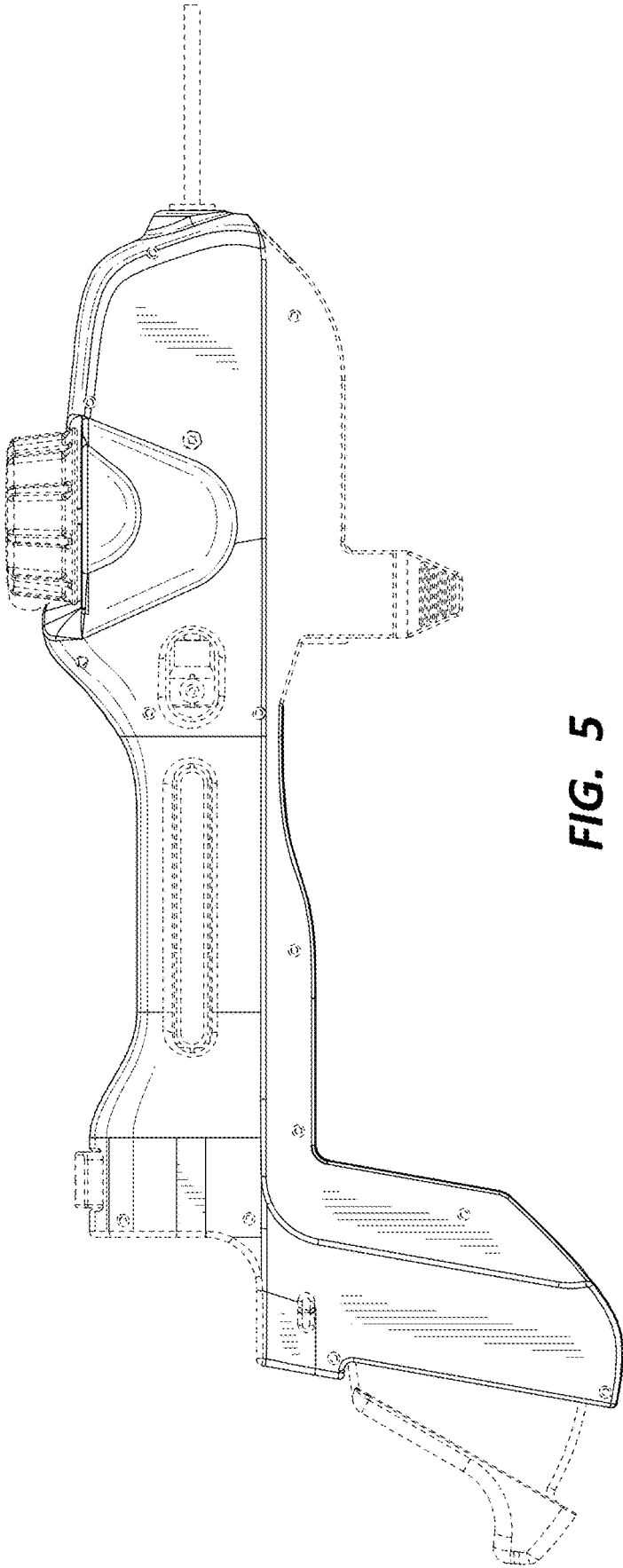


FIG. 5

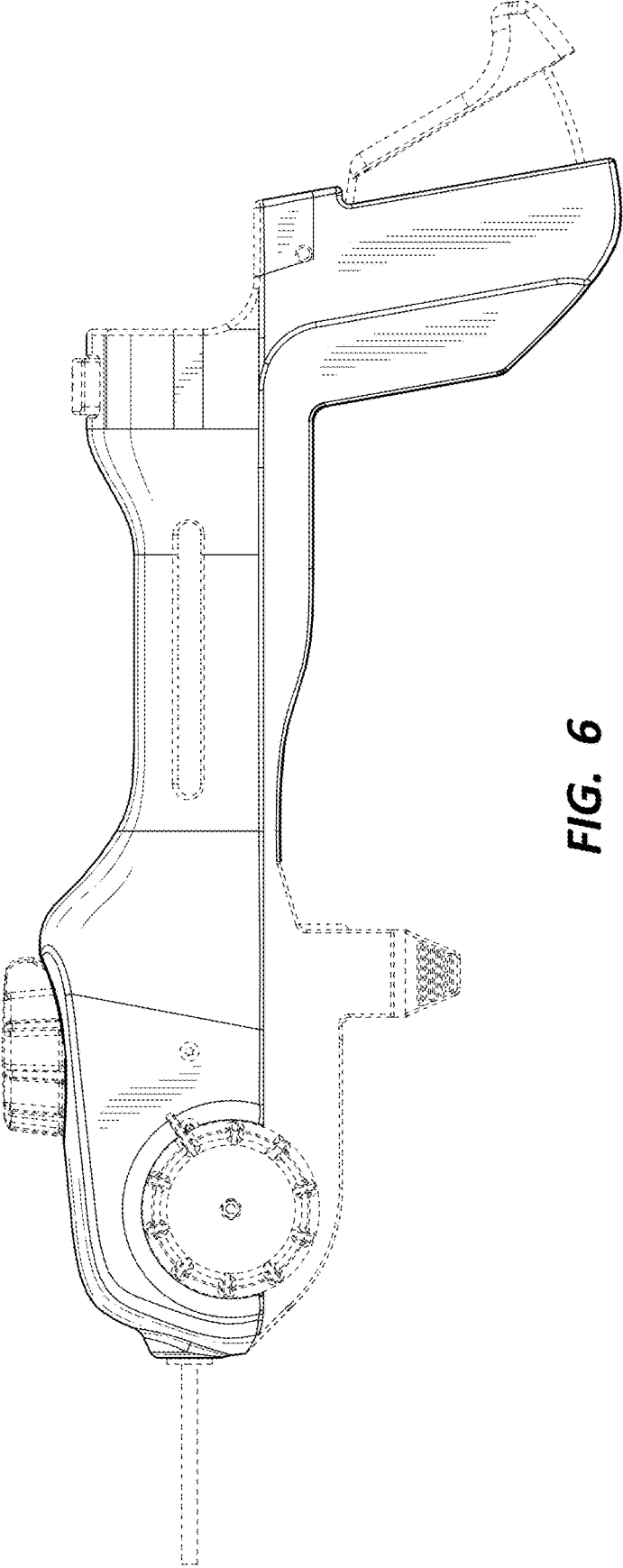


FIG. 6

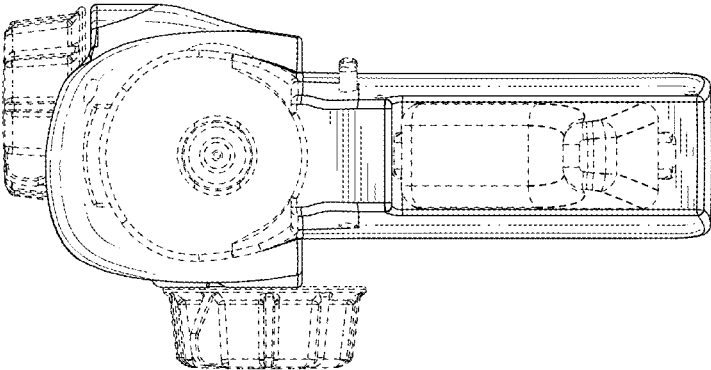


FIG. 8

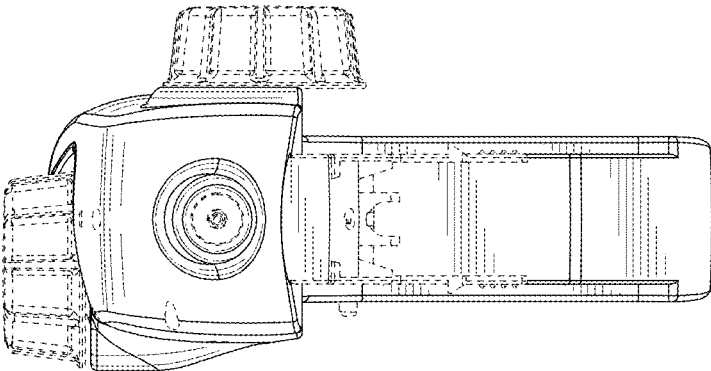


FIG. 7