

(21) Application No: 2400056.4
(22) Date of Filing: 22.06.2022
Date Lodged: 03.01.2024

(30) Priority Data:
(31) 2109148 (32) 25.06.2021 (33) GB
(31) 2109154 (32) 25.06.2021 (33) GB

(86) International Application Data:
PCT/EP2022/066993 En 22.06.2022

(87) International Publication Data:
WO2022/268874 En 29.12.2022

(51) INT CL:
A61M 1/00 (2006.01) H01H 85/00 (2006.01)
H01H 85/041 (2006.01) H05K 1/02 (2006.01)
H05K 9/00 (2006.01)

(56) Documents Cited:
EP 3187200 A1 DE 102014116910 A1
US 20200338243 A1 US 20200171217 A9
US 20130110058 A1 US 20060191713 A1
US 20050062577 A1

(58) Field of Search:
INT CL A61F, A61M, H01H, H05K
Other: EPO-Internal, WPI Data

(71) Applicant(s):
T.J. Smith and Nephew Limited
(Incorporated in the United Kingdom)
PO Box 81, 101 Hessle Road, HULL, HU3 2BN,
United Kingdom

(72) Inventor(s):
Allan Kenneth Frazer Grugeon Hunt
Daniel Jorna
Jamie Owst
Felix Clarence Quintanar
Neil Andrew Ramsbottom
Liam Thomson

(74) Agent and/or Address for Service:
Smith & Nephew
PO Box 81, Group Legal Department,
101 Hessle Road, HULL, HU3 2BN, United Kingdom

(54) Title of the Invention: **Liquid ingress protection and design of electronic circuitry for negative pressure wound therapy systems**
Abstract Title: **Liquid ingress protection and design of electronic circuitry for negative pressure wound therapy systems**

(57) The approaches described herein can provide mitigation against the risk of one or more malfunctions of electronics of a negative pressure wound therapy device. The one or more malfunctions can include flow reverse current, flow of excessive current, liquid ingress, or inadvertent activation. The approaches described herein can provide protection against a single fault (or higher protection against more than one fault). Advantageously, mitigation against the risk of burning or otherwise causing discomfort to the patient or the risk of fire can be provided.

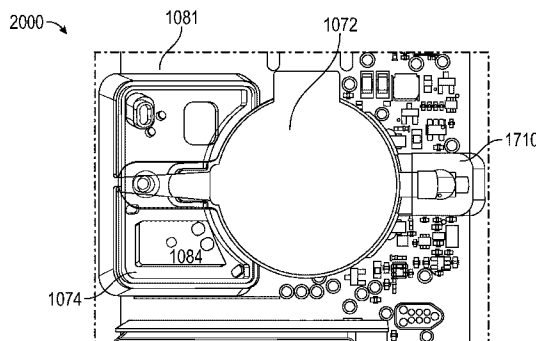


FIG. 15