

(19) World Intellectual Property Organization
International Bureau



(43) International Publication Date
8 November 2007 (08.11.2007)

PCT

(10) International Publication Number
WO 2007/126776 A3

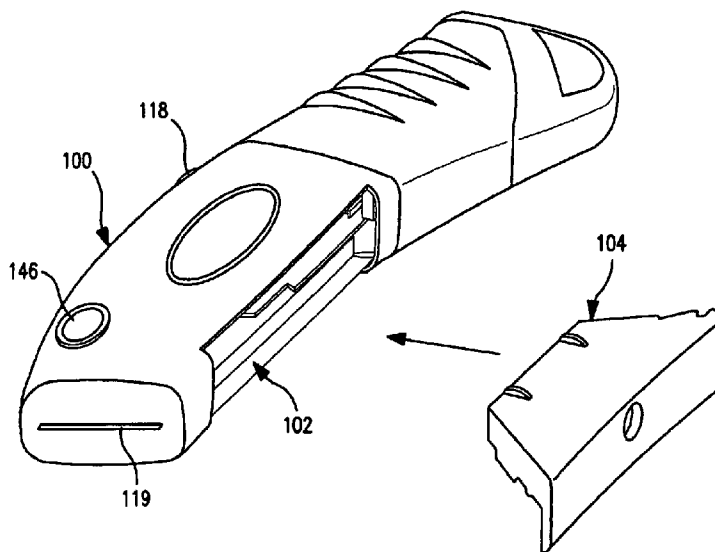
- (51) International Patent Classification:
B26B 3/06 (2006.01) *F41C 27/18* (2006.01)
F41B 13/02 (2006.01)
- (21) International Application Number:
PCT/US2007/007511
- (22) International Filing Date: 26 March 2007 (26.03.2007)
- (25) Filing Language: English
- (26) Publication Language: English
- (30) Priority Data:
60/789,530 4 April 2006 (04.04.2006) US
- (71) Applicant (for all designated States except US): **ACME UNITED CORPORATION** [US/US]; 60 Round Shill Road, Fairfield, CT 06824 (US).

- Highway, Milford, CT 06460 (US). **CODY MA MAN FOR** [—/CN]; Flat C, Floor 21, Tower 4, HanFord, Garden, Castle Peak Road 333, Tuen Mun, New Territories (HK).
- (74) Agent: **YALE, Guy D.**; Alis, Yale & Ristas, LLP, 750 Main Street, Suite 1400, Hartford, CT 06103-2721 (US).
- (81) Designated States (unless otherwise indicated, for every kind of national protection available): AE, AG, AL, AM, AT, AU, AZ, BA, BB, BG, BH, BR, BW, BY, BZ, CA, CH, CN, CO, CR, CU, CZ, DE, DK, DM, DZ, EC, EE, EG, ES, FI, GB, GD, GE, GH, GM, GT, HN, HR, HU, ID, IL, IN, IS, JP, KE, KG, KM, KN, KP, KR, KZ, LA, LC, LK, LR, LS, LT, LU, LY, MA, MD, MG, MK, MN, MW, MX, MY, MZ, NA, NG, NI, NO, NZ, OM, PG, PH, PL, PT, RO, RS, RU, SC, SD, SE, SG, SK, SL, SM, SV, SY, TJ, TM, TN, TR, TT, TZ, UA, UG, US, UZ, VC, VN, ZA, ZM, ZW.
- (84) Designated States (unless otherwise indicated, for every kind of regional protection available): ARIPO (BW, GH, GM, KE, LS, MW, MZ, NA, SD, SL, SZ, TZ, UG, ZM, ZW), Eurasian (AM, AZ, BY, KG, KZ, MD, RU, TJ, TM), European (AT, BE, BG, CH, CY, CZ, DE, DK, EE, ES, FI, FR, GB, GR, HU, IE, IS, IT, LT, LU, LV, MC, MT, NL, PL, PT, RO, SE, SI, SK, TR), OAPI (BF, BJ, CF, CG, CI, CM, GA, GN, GQ, GW, ML, MR, NE, SN, TD, TG).

- (72) Inventors; and
- (75) Inventors/Applicants (for US only): **CONSTANTINE, Richard, Steven** [US/US]; 27 Alden Court, Milford, CT 06460 (US). **PETERSON, Michael, E.** [US/US]; 303 Mailands Road, Fairfield, CT 06824 (US). **VERDURA, Javier** [US/US]; 41 Stone Manor Drive, Milford, CT 06460 (US). **LEE, A., Jonathan** [US/US]; 157 1/2 Kings

[Continued on next page]

(54) Title: CUTTING IMPLEMENT WITH CARTRIDGE



(57) Abstract: A utility knife has a receiving cavity which opens through the body. A cartridge comprising a magazine of blades is removably insertable into the receiving cavity. A carrier within the body is manually operable for receiving a blade from the cartridge and positioning the blade for extension through the opening to present a cutting edge. The cartridge may be released from the utility knife body by depressing a button and withdrawing the cartridge. The cartridge is releasably held in place within the knife body and releasable when the blade carrier is in its retracted position and the release button is depressed. When the thumb button moves the blade carrier into its extended position to expose the knife blade, the cartridge is rendered unreleaseable even if the release button is depressed. The release button, which will enable removal of the magazine when depressed and blade carrier is in its retracted position, also serves to release of the blade from the blade carrier to permit removal of a used blade from the knife body when the blade carrier is in its extended position.

WO 2007/126776 A3



Declarations under Rule 4.17:

- *as to applicant's entitlement to apply for and be granted a patent (Rule 4.17(ii))*
- *as to the applicant's entitlement to claim the priority of the earlier application (Rule 4.17(iii))*

Published:

- *with international search report*
- *before the expiration of the time limit for amending the claims and to be republished in the event of receipt of amendments*

(88) Date of publication of the international search report:
3 January 2008

For two-letter codes and other abbreviations, refer to the "Guidance Notes on Codes and Abbreviations" appearing at the beginning of each regular issue of the PCT Gazette.

INTERNATIONAL SEARCH REPORT

International application No.

PCT/US 07/07511

A. CLASSIFICATION OF SUBJECT MATTER
 IPC(8) - B26B 3/06; F41B 13/02; F41C 27/18 (2007.10)
 USPC - 30/162
 According to International Patent Classification (IPC) or to both national classification and IPC

B. FIELDS SEARCHED

Minimum documentation searched (classification system followed by classification symbols)
 USPC: 30/2, 123, 124, 125, 136, 142, 143, 151, 156, 162, 329, 335

Documentation searched other than minimum documentation to the extent that such documents are included in the fields searched
 pubWEST, USPTO, DialogPro(Global Patents), Google, Answers.com

Electronic data base consulted during the international search (name of data base and, where practicable, search terms used)
 Electronic Databases Searched: PubWEST(USPT,PGPB,EPAB,JPAB); DialogPRO(Patents); Google, Answers.com
 Search Terms: utility, knife, blade, cutting, edge, button, lever, cartridge, handle, body, frame, hook, cover, lock, cavity

C. DOCUMENTS CONSIDERED TO BE RELEVANT

Category*	Citation of document, with indication, where appropriate, of the relevant passages	Relevant to claim No.
X	US 2005/0050734 A1 (KESINGER, D.) 10 March 2005 (10.03.2005) para [0011], [0016]-[0021], [0032], [0040], [0048], [0053], [0056]-[0060], [0062], [0064], [0066], [0068], [0071], [0076], [0077], [0079], [0080], [0115], [0233], [0289], [0296] and [0650]; See Figs. 1, 9, 10, 17 and 19	1-15, 33-34, 39, 42-50
Y		16-32, 35-38, 40 and 41
Y	US 2005/0150116 A1 (JOHNSON et al.) 15 July 2005 (15.07.2005) para [0003], [0011]-[0013], [0043], [0044], [0049], [0053]-[0059], [0066], [0071]-[0073], [0078], [0079]; See Figs. 2, 9A.	16-32, 35
Y	US 5,322,001 A (BODA, J.) 21 June 1994 (21.06.1994) col 1, ln 34-40, col 2, ln 35-58	40 and 41
Y	US 6,637,308 B2 (NICHOLS et al.) 28 October 2003 (28.10.2003) col 1, ln 23, 34-40, col 2, ln 7, col 3, ln 42-43, col 4, ln 23-4; See Fig. 2.	36-38
Y	US 5,870,828 A (POLITES, A.) 16 February 1999 (16.02.1999) col 2, ln 35-58	24-29

Further documents are listed in the continuation of Box C.

* Special categories of cited documents:	"T" later document published after the international filing date or priority date and not in conflict with the application but cited to understand the principle or theory underlying the invention
"A" document defining the general state of the art which is not considered to be of particular relevance	"X" document of particular relevance; the claimed invention cannot be considered novel or cannot be considered to involve an inventive step when the document is taken alone
"E" earlier application or patent but published on or after the international filing date	"Y" document of particular relevance; the claimed invention cannot be considered to involve an inventive step when the document is combined with one or more other such documents, such combination being obvious to a person skilled in the art
"L" document which may throw doubts on priority claim(s) or which is cited to establish the publication date of another citation or other special reason (as specified)	"&" document member of the same patent family
"O" document referring to an oral disclosure, use, exhibition or other means	
"P" document published prior to the international filing date but later than the priority date claimed	

Date of the actual completion of the international search
 04 October 2007 (04.10.2007)

Date of mailing of the international search report

14 NOV 2007

Name and mailing address of the ISA/US
 Mail Stop PCT, Attn: ISA/US, Commissioner for Patents
 P.O. Box 1450, Alexandria, Virginia 22313-1450
 Facsimile No. 571-273-3201

Authorized officer:
 Lee W. Young

PCT Helpdesk: 571-272-4300
 PCT OSP: 571-272-7774