



US00D941262S

(12) **United States Design Patent**  
**Brunner et al.**

(10) **Patent No.:** **US D941,262 S**  
(45) **Date of Patent:** **\*\* Jan. 18, 2022**

- (54) **HEADSET**
- (71) Applicant: **Apple Inc.**, Cupertino, CA (US)
- (72) Inventors: **Robert D. Brunner**, Glen Ellen, CA (US); **Christopher Kuh**, San Francisco, CA (US)
- (73) Assignee: **Apple Inc.**, Cupertino, CA (US)
- (\*\*) Term: **15 Years**
- (21) Appl. No.: **29/795,780**
- (22) Filed: **Jun. 21, 2021**

CPC ..... H04R 25/00; H04R 25/02; H04R 1/1066; H04R 1/1016; H04R 5/033; H04R 5/0335; H04R 1/1008; H04R 1/1091; H04R 19/04; A61F 11/14; G02B 27/017  
See application file for complete search history.

(56) **References Cited**

**U.S. PATENT DOCUMENTS**

1,066,511 A	7/1913	Markoff
1,367,746 A	2/1921	Kent
2,149,341 A	3/1939	Harrison
3,104,398 A	9/1963	Palmaer
D203,677 S	2/1966	Spilman
		(Continued)

**FOREIGN PATENT DOCUMENTS**

GB	2072035 B	1/1998
JP	D1318386	12/2007
		(Continued)

*Primary Examiner* — Paula Allen Greene  
(74) *Attorney, Agent, or Firm* — Sterne, Kessler, Goldstein & Fox P.L.L.C.

(57) **CLAIM**

The ornamental design for a headset, as shown and described.

**DESCRIPTION**

FIG. 1 is a front perspective view of a headset showing the claimed design;  
FIG. 2 is a rear view thereof;  
FIG. 3 is a bottom view thereof;  
FIG. 4 is a front view thereof;  
FIG. 5 is a right side view thereof;  
FIG. 6 is a left side view thereof; and,  
FIG. 7 is a top view thereof.  
The broken lines in the figures show portions of the headset that form no part of the claimed design.

**1 Claim, 7 Drawing Sheets**

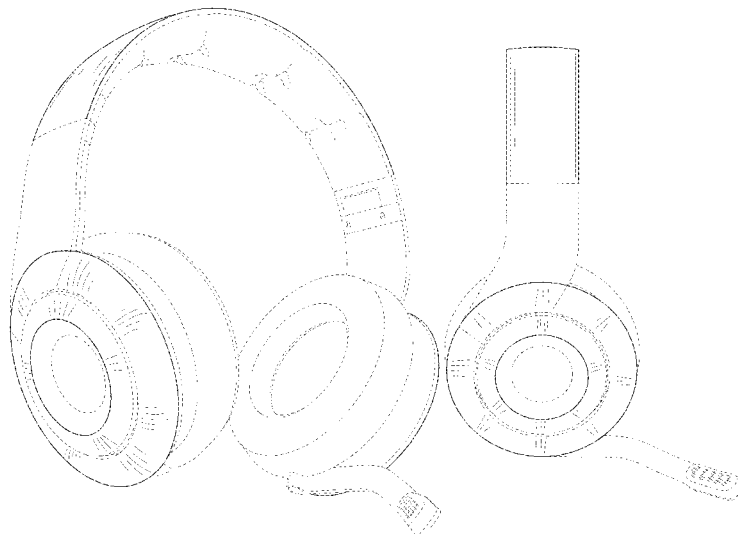
**Related U.S. Application Data**

- (60) Continuation of application No. 29/706,360, filed on Sep. 19, 2019, now Pat. No. Des. 922,978, which is a continuation of application No. 29/642,633, filed on Mar. 30, 2018, now Pat. No. Des. 860,969, which is a continuation of application No. 29/574,209, filed on Aug. 12, 2016, now Pat. No. Des. 814,438, which is a continuation of application No. 29/504,827, filed on Oct. 9, 2014, now Pat. No. Des. 764,435, which is a continuation of application No. 29/464,539, filed on Aug. 18, 2013, now Pat. No. Des. 716,760, which is a division of application No. 29/426,082, filed on Jun. 29, 2012, now Pat. No. Des. 691,112, which is a continuation-in-part of application No. 29/410,585, filed on Jan. 9, 2012, now Pat. No. Des. 698,749.

(51) **LOC (13) Cl.** ..... **14-01**

(52) **U.S. Cl.**  
USPC ..... **D14/205**; D14/206

(58) **Field of Classification Search**  
USPC ..... D14/206, 205, 225, 226, 372, 218, 195, D14/188, 192, 217, 408, 155, 168; D29/112; 2/209; 381/380, 381, 374; 455/90.3, 575.1, 569.1; D28/41; 132/273, 274, 275; D21/444; 446/46; 473/589



(56)

## References Cited

## U.S. PATENT DOCUMENTS

D229,833	S	1/1974	Becker		D585,870	S	2/2009	Zheng et al.
D244,300	S	5/1977	Besasio		D585,871	S	2/2009	Lee
4,173,715	A	11/1979	Gosman		D585,872	S	2/2009	Lee
D254,183	S	2/1980	Doodson		D588,098	S	3/2009	Kurihara
D254,876	S	5/1980	Reitenga et al.		D588,100	S	3/2009	Densho et al.
D255,352	S	6/1980	Besasio		D591,263	S	4/2009	Shimizu
4,385,209	A	* 5/1983	Greason .....	H04R 19/016 307/400	D592,182	S	5/2009	Sanguinetti
4,404,445	A	9/1983	Baran et al.		D592,640	S	5/2009	Tkachuk
4,609,786	A	9/1986	Omoto et al.		D593,995	S	6/2009	Shimizu
D286,874	S	11/1986	Bertagna et al.		D600,674	S	9/2009	Brennwald
4,634,816	A	1/1987	O'Malley		D602,906	S	10/2009	Groves et al.
D300,528	S	* 4/1989	Drane .....	D13/171	D603,370	S	11/2009	Suzuki
4,875,233	A	10/1989	Derhaag et al.		D603,371	S	11/2009	Boateng et al.
D313,092	S	12/1990	Nilsson		D616,865	S	6/2010	Marchand et al.
5,018,599	A	5/1991	Dohi et al.		D617,769	S	6/2010	Birger
5,035,005	A	7/1991	Hung		D617,771	S	6/2010	Groves et al.
D328,074	S	7/1992	Yamazaki et al.		7,735,154	B2	6/2010	Gellis et al.
D328,461	S	8/1992	Daido et al.		D625,705	S	10/2010	Ohuri et al.
D338,010	S	8/1993	Yamatogi		D632,668	S	2/2011	Brunner et al.
D351,172	S	10/1994	Nakamura et al.		D633,896	S	3/2011	Kondo et al.
D358,389	S	5/1995	Isono		D635,959	S	4/2011	Hutchieson
D362,841	S	* 10/1995	Roza .....	D13/171	D637,176	S	* 5/2011	Brunner .....
D374,658	S	* 10/1996	Bever .....	D13/171	D637,998	S	5/2011	Brunner et al.
D375,825	S	11/1996	Whidden		D637,999	S	5/2011	Brunner et al.
5,812,680	A	9/1998	Glendon		D638,000	S	5/2011	Hoggarth
D403,128	S	12/1998	Scanlon et al.		D639,776	S	6/2011	Arimoto
D407,985	S	* 4/1999	Pimentel .....	D10/104.2	D641,725	S	7/2011	Chong et al.
D420,356	S	2/2000	Suzuki		D643,833	S	* 8/2011	Lee .....
D422,592	S	4/2000	Deguchi		D648,330	S	11/2011	Fischer
6,081,604	A	6/2000	Hikichi et al.		D652,017	S	1/2012	Groves et al.
D430,140	S	8/2000	Roman		D652,405	S	1/2012	Lee et al.
D435,249	S	12/2000	Yasutomi		D652,406	S	1/2012	Lee et al.
6,163,615	A	12/2000	Callahan		D654,471	S	2/2012	Fischer
6,195,839	B1	3/2001	Patterson et al.		D654,472	S	2/2012	Fischer
D457,512	S	5/2002	Yoneda		D657,344	S	4/2012	Brunner et al.
6,449,806	B1	9/2002	Engelhard et al.		D657,345	S	4/2012	Brunner et al.
D464,630	S	* 10/2002	Woodworth .....	D13/171	D657,776	S	4/2012	Lee et al.
D468,723	S	1/2003	Pham et al.		D660,823	S	5/2012	Hardi et al.
D469,411	S	* 1/2003	Decosse .....	D13/171	D660,824	S	5/2012	Hardi et al.
D484,485	S	12/2003	Matsuoka		D660,826	S	5/2012	Brunner et al.
6,654,966	B2	12/2003	Rolla		D662,490	S	* 6/2012	McSweyn .....
D484,868	S	1/2004	Suzuki		D663,716	S	7/2012	Hardi et al.
6,678,897	B2	1/2004	Lindgren		D673,136	S	12/2012	Kelly et al.
D491,163	S	6/2004	Green		D673,518	S	1/2013	Tan
D502,938	S	3/2005	Tokioka et al.		D673,520	S	1/2013	Tan
D504,414	S	4/2005	Yoshida		D674,767	S	1/2013	Brunner et al.
D504,883	S	5/2005	Jacobson et al.		D675,595	S	2/2013	Cho et al.
D512,381	S	12/2005	Sirichai et al.		D677,647	S	3/2013	Lee et al.
D512,417	S	* 12/2005	Hirakawa .....	D14/223	D677,648	S	3/2013	Lee et al.
D512,708	S	12/2005	Harris, Jr. et al.		D683,329	S	5/2013	Hagelin
D512,981	S	12/2005	Jacobson et al.		D689,843	S	9/2013	Lee
D514,086	S	1/2006	Skulley		D691,112	S	* 10/2013	Brunner .....
D517,043	S	3/2006	Jacobson et al.		D691,579	S	10/2013	Lee et al.
D517,528	S	3/2006	Skulley		D691,984	S	* 10/2013	Wang .....
7,072,483	B2	7/2006	Lenhard-Backhaus		D692,410	S	* 10/2013	Brunner .....
D532,407	S	11/2006	Motoishi					H04R 1/1008 D14/206
D534,155	S	12/2006	Obata		D693,791	S	11/2013	Troy
D534,156	S	12/2006	Obata		D696,226	S	12/2013	Brunner et al.
7,172,052	B2	2/2007	Lenhard-Backhaus		D698,749	S	* 2/2014	Brunner .....
D539,788	S	4/2007	Thompson et al.		D700,904	S	* 3/2014	Miller .....
D540,301	S	4/2007	Obata		D704,163	S	5/2014	Brunner et al.
D540,303	S	4/2007	Rausch et al.		D709,860	S	* 7/2014	Brunner .....
D540,778	S	4/2007	Thompson et al.					H04S 1/005 D14/205
D541,255	S	4/2007	Taylor et al.		D711,348	S	8/2014	Yang
D541,256	S	4/2007	Rausch et al.		D716,760	S	* 11/2014	Brunner .....
D541,257	S	4/2007	Thursfield		D731,457	S	* 6/2015	Brunner .....
D552,077	S	10/2007	Brunner et al.		D732,000	S	* 6/2015	Brunner .....
D557,684	S	12/2007	Pundsack et al.		D732,503	S	* 6/2015	Brunner .....
D560,654	S	1/2008	Feng					H04R 1/1008 D14/205
D563,382	S	3/2008	Wikel		9,084,055	B2	7/2015	Brunner et al.
D563,995	S	3/2008	Deguchi et al.		D738,350	S	* 9/2015	Brunner .....
7,356,362	B2	4/2008	Chang et al.		D760,687	S	* 7/2016	Brunner .....
D582,890	S	12/2008	Koza et al.		D760,688	S	7/2016	Brunner et al.
D584,715	S	1/2009	Brennwald		D764,435	S	* 8/2016	Brunner .....
					9,445,185	B2	9/2016	Brunner et al.
					D791,733	S	* 7/2017	Brunner .....
					D809,477	S	2/2018	Brunner et al.
					D814,438	S	* 4/2018	Brunner .....
					D836,600	S	12/2018	Lee et al.

(56)

References Cited

U.S. PATENT DOCUMENTS

D843,345 S \* 3/2019 Brunner ..... D14/205  
 D857,652 S \* 8/2019 Wang ..... D14/205  
 D858,483 S \* 9/2019 Hu ..... D14/205  
 D860,969 S \* 9/2019 Brunner ..... D14/205  
 D867,327 S 11/2019 Brunner et al.  
 D888,008 S \* 6/2020 Yook ..... D14/205  
 D889,432 S \* 7/2020 Brunner ..... D14/205  
 D893,452 S \* 8/2020 Yook ..... D14/205  
 D899,401 S \* 10/2020 Smiechowski ..... D14/205  
 D904,339 S \* 12/2020 Wang ..... D14/205  
 D922,978 S \* 6/2021 Brunner ..... D14/205  
 D927,453 S \* 8/2021 Smiechowski ..... D14/205  
 D927,454 S \* 8/2021 Treski ..... D14/205  
 D928,734 S 8/2021 Brunner et al.  
 2003/0182713 A1 10/2003 Rolla  
 2004/0216946 A1 11/2004 Lenhard-Backhaus  
 2005/0053255 A1 3/2005 Harris et al.  
 2005/0226452 A1 10/2005 Amae et al.

2006/0001307 A1 1/2006 Embach  
 2006/0062417 A1 3/2006 Tachikawa  
 2006/0104471 A1 5/2006 Tsunoda et al.  
 2008/0056525 A1 3/2008 Fujiwara et al.  
 2009/0220118 A1 9/2009 Meier et al.  
 2010/0128884 A1 5/2010 Sapiejewski et al.  
 2010/0284558 A1 11/2010 Kimura et al.  
 2011/0206216 A1 8/2011 Brunner et al.  
 2011/0249856 A1 10/2011 Takei  
 2013/0343591 A1\* 12/2013 Brunner ..... H04R 1/1075  
 381/371  
 2021/0084401 A1\* 3/2021 Smiechowski ..... H04R 1/1041

FOREIGN PATENT DOCUMENTS

JP D1406347 1/2011  
 JP D1430542 12/2011  
 KR 30-0476152 1/2008  
 WO WO 2007/103561 A2 9/2007  
 WO WO 2012/094176 A2 7/2012

\* cited by examiner

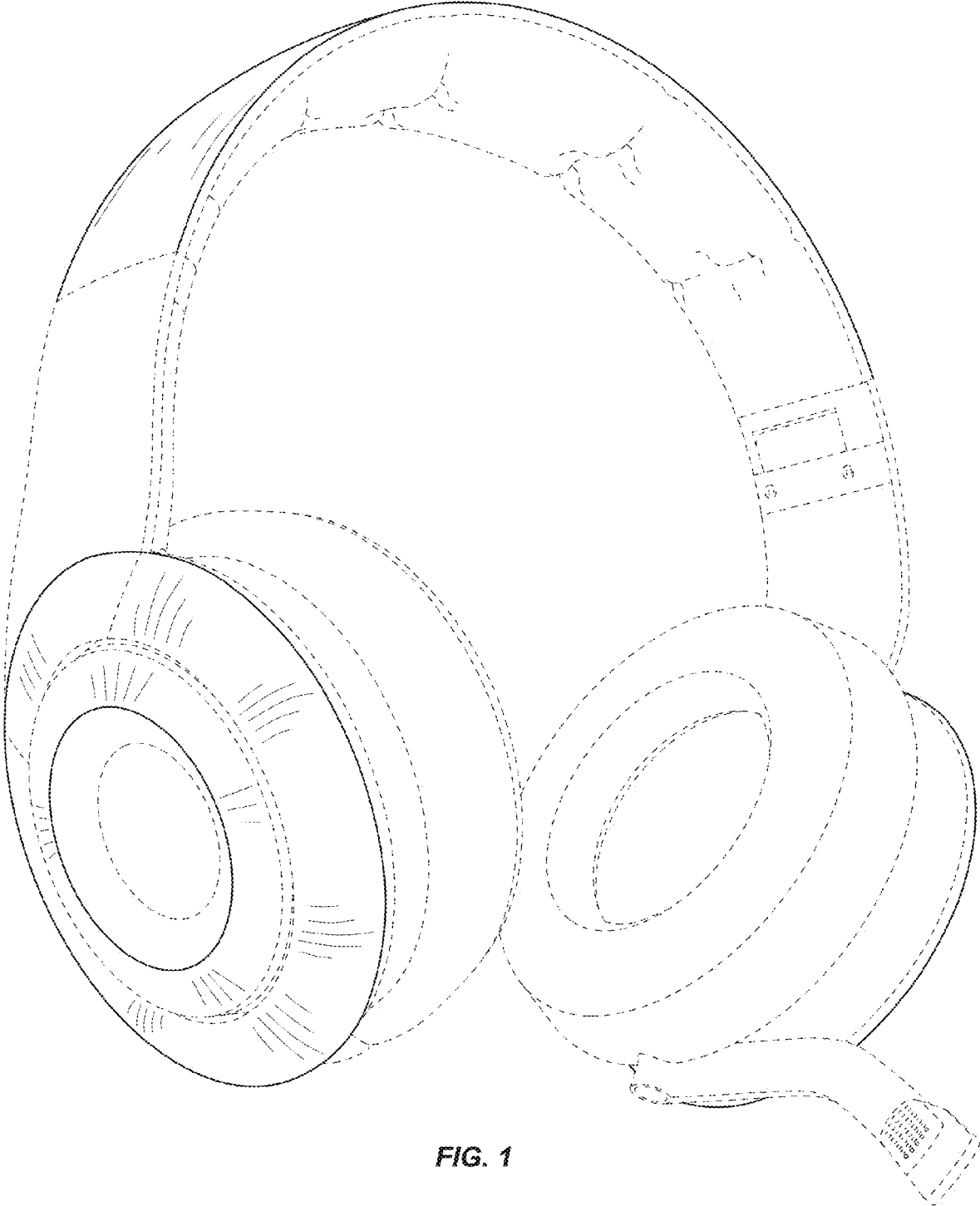


FIG. 1

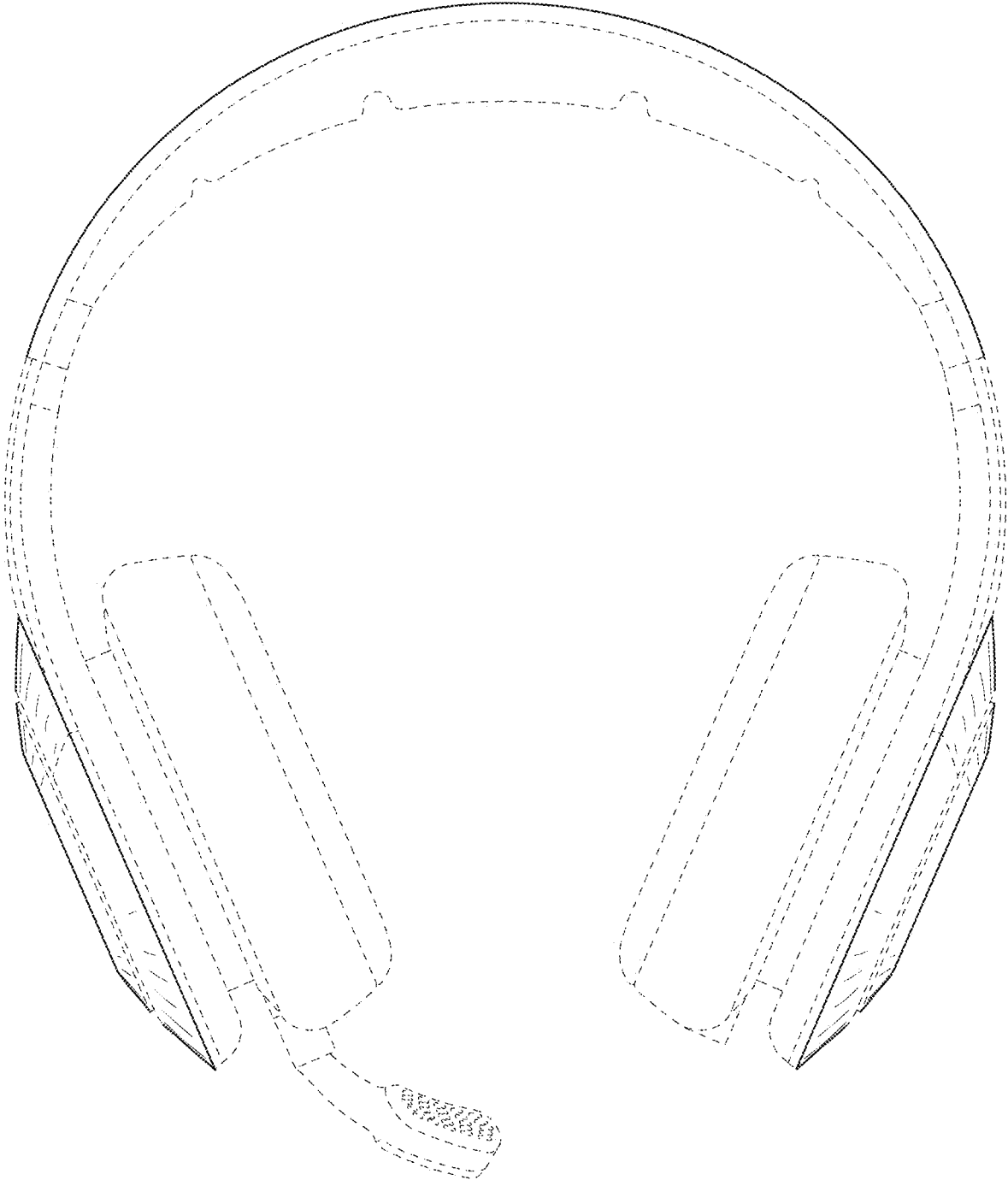


FIG. 2

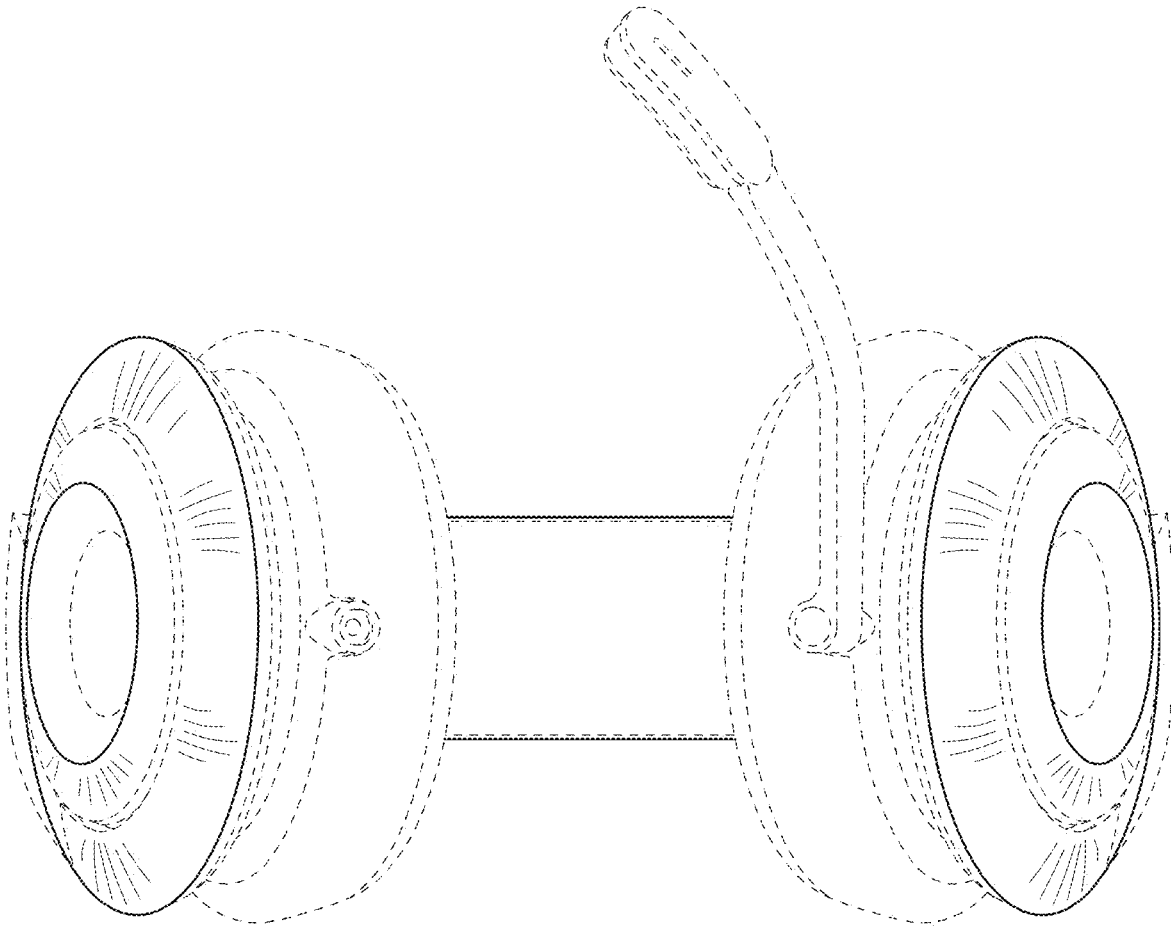


FIG. 3

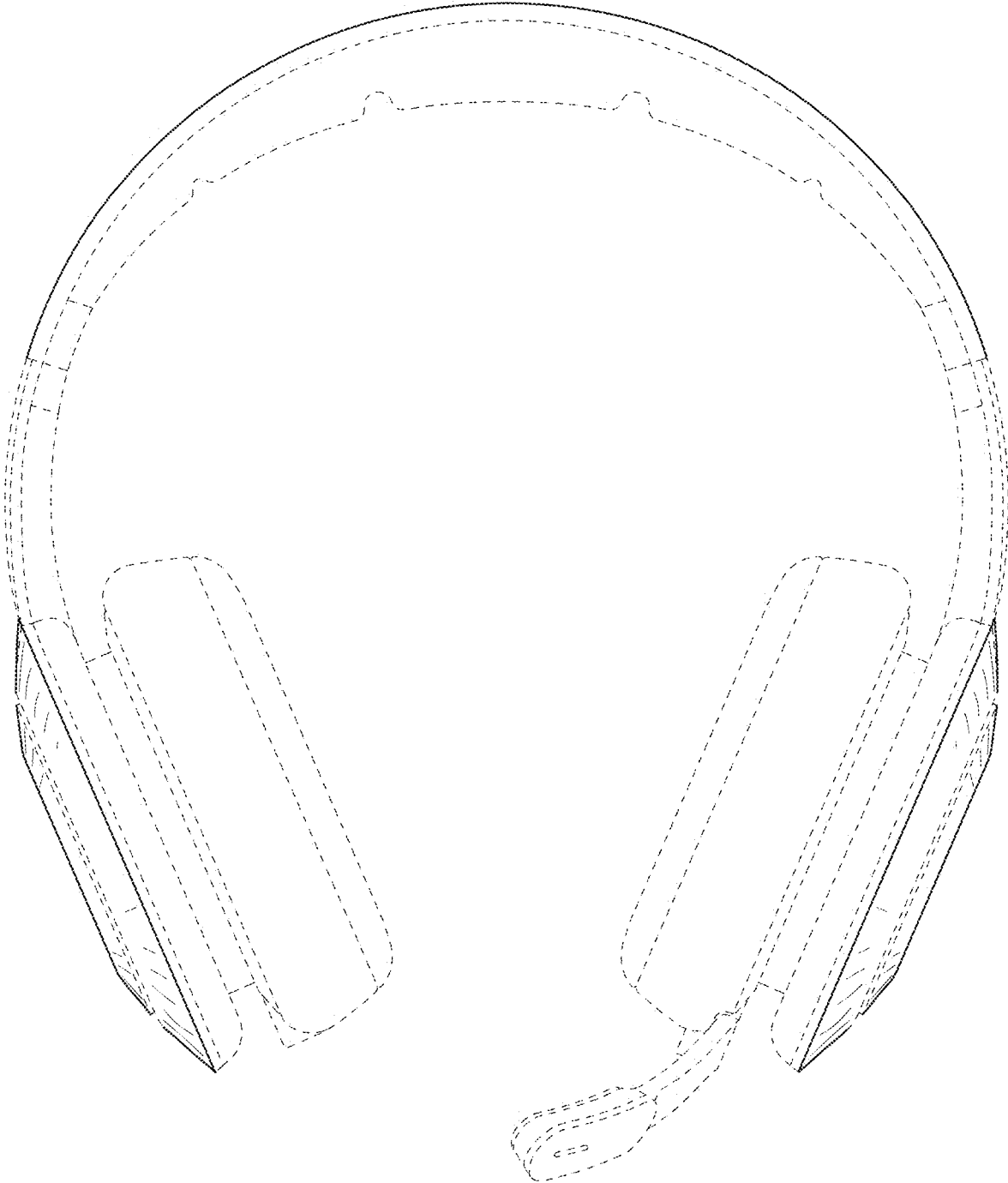


FIG. 4

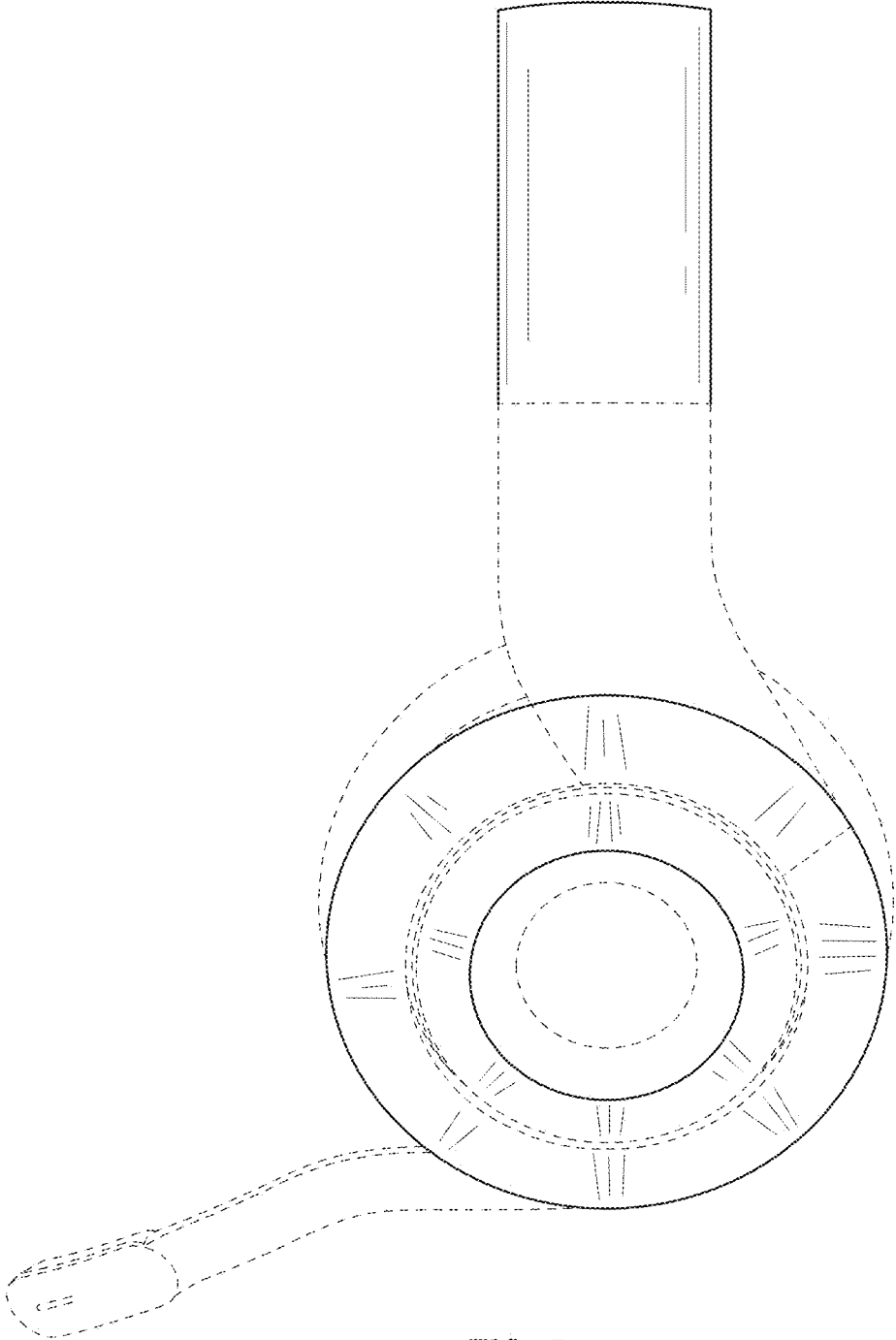


FIG. 5



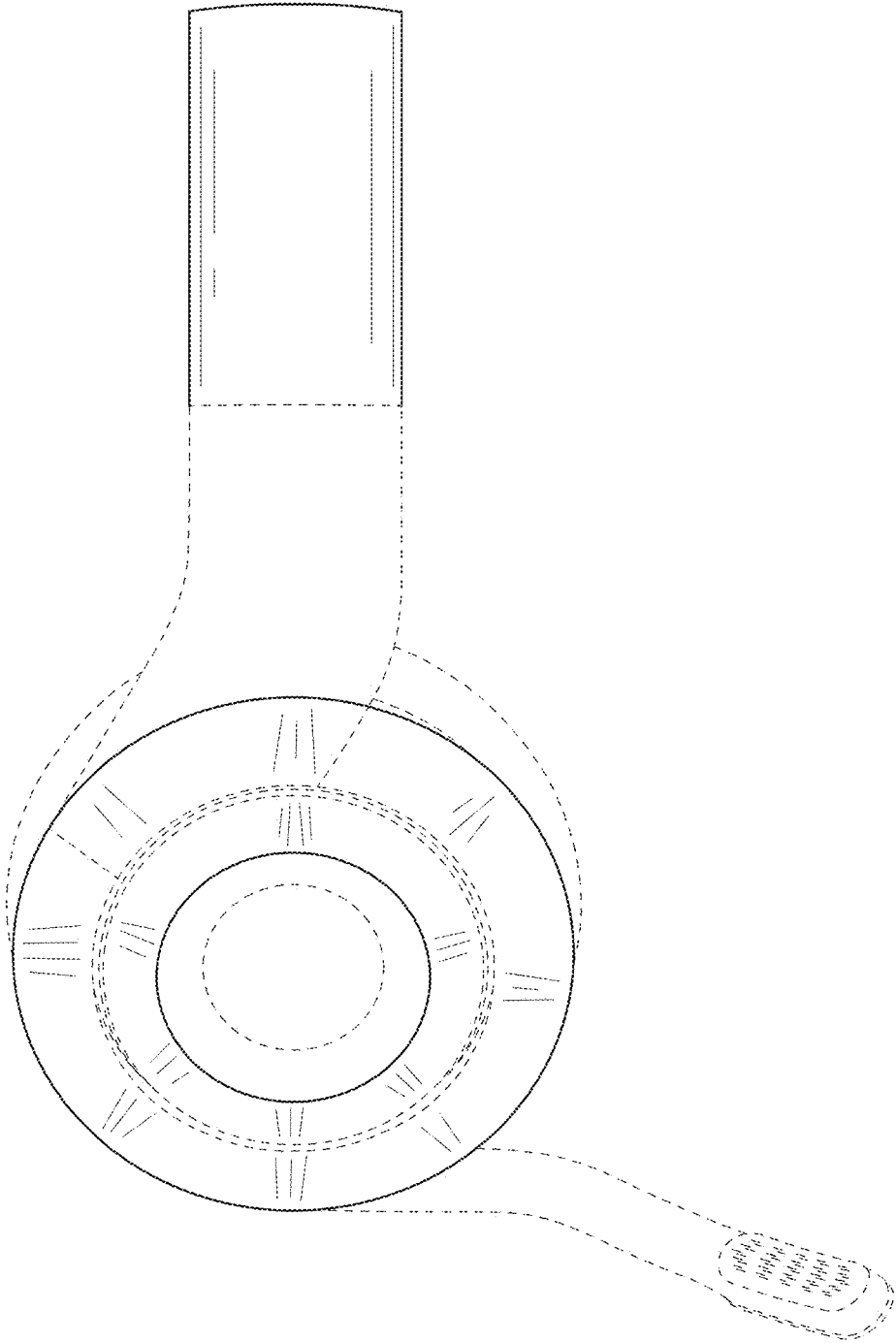


FIG. 6

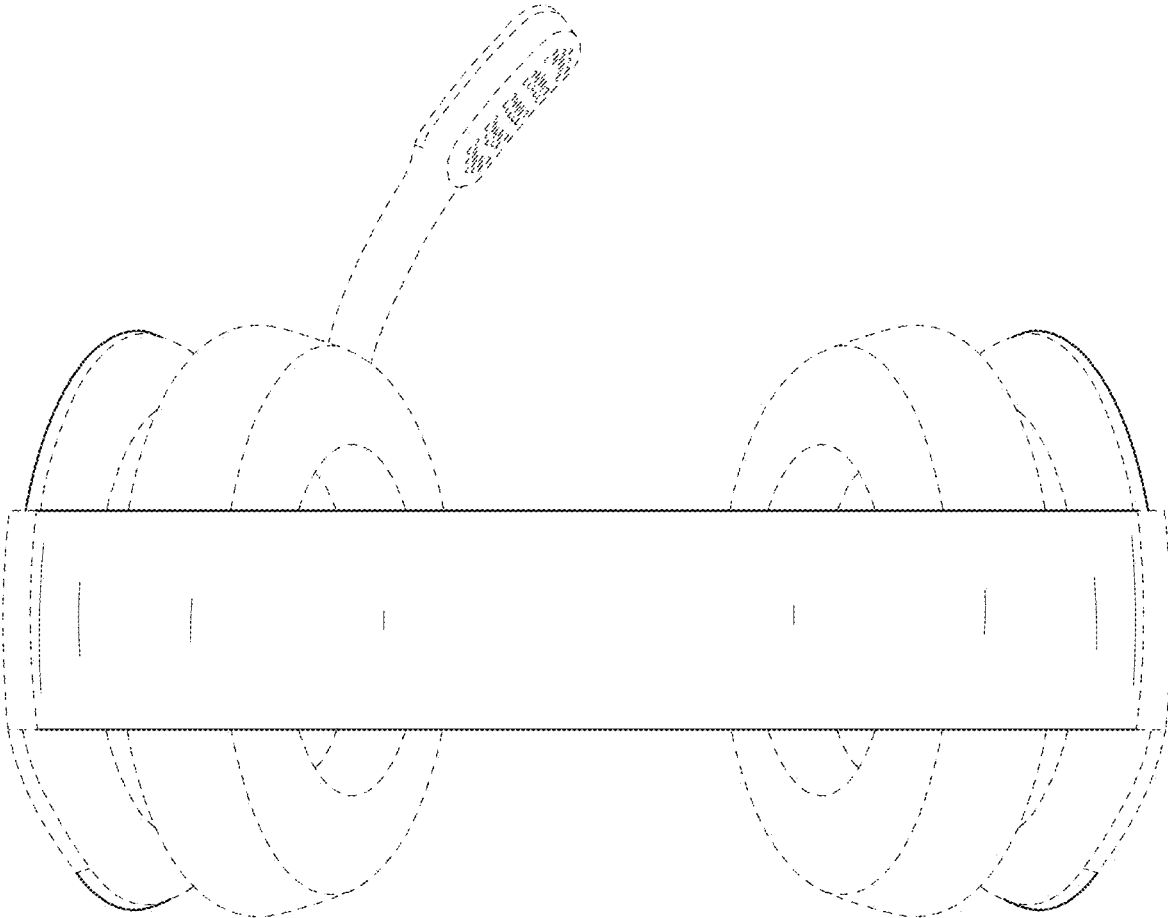


FIG. 7