



US00D904546S

(12) **United States Design Patent**  
**Cheng et al.**

(10) **Patent No.:** **US D904,546 S**

(45) **Date of Patent:** **\*\* Dec. 8, 2020**

(54) **HANDSTOP**

(71) Applicants: **Carson Cheng**, City of Industry, CA (US); **Changan Tian**, City of Industry, CA (US); **Michael Cheng**, City of Industry, CA (US)

(72) Inventors: **Carson Cheng**, City of Industry, CA (US); **Changan Tian**, City of Industry, CA (US); **Michael Cheng**, City of Industry, CA (US)

(73) Assignee: **NcSTAR Inc.**, City of Industry, CA (US)

(\*\*) Term: **15 Years**

(21) Appl. No.: **29/707,692**

(22) Filed: **Sep. 30, 2019**

(51) **LOC (12) Cl.** ..... **22-01**

(52) **U.S. Cl.**  
USPC ..... **D22/108**

(58) **Field of Classification Search**  
USPC ..... D22/108; D8/68  
CPC ..... F41C 23/10; F41C 23/14; F41C 23/16;  
F41C 23/18  
See application file for complete search history.

(56) **References Cited**

**U.S. PATENT DOCUMENTS**

D665,043 S \* 8/2012 Fitzpatrick ..... D22/108  
D698,885 S \* 2/2014 Faifer ..... D22/108

D728,054 S \* 4/2015 Webber ..... D22/108  
D745,623 S \* 12/2015 Flores ..... D22/108  
D745,624 S \* 12/2015 Flores ..... D22/108  
D745,629 S \* 12/2015 Barfoot ..... D22/108  
D745,940 S \* 12/2015 Flores ..... D22/108  
D783,757 S \* 4/2017 Jen ..... D22/108  
D803,968 S \* 11/2017 Saadon ..... D22/108  
D860,375 S \* 9/2019 Chavez ..... D22/109  
D873,369 S \* 1/2020 Shelton ..... D22/108  
D876,570 S \* 2/2020 Saadon ..... D22/108  
D898,153 S \* 10/2020 Podgurny ..... D22/108

\* cited by examiner

*Primary Examiner* — Michael A. Pratt

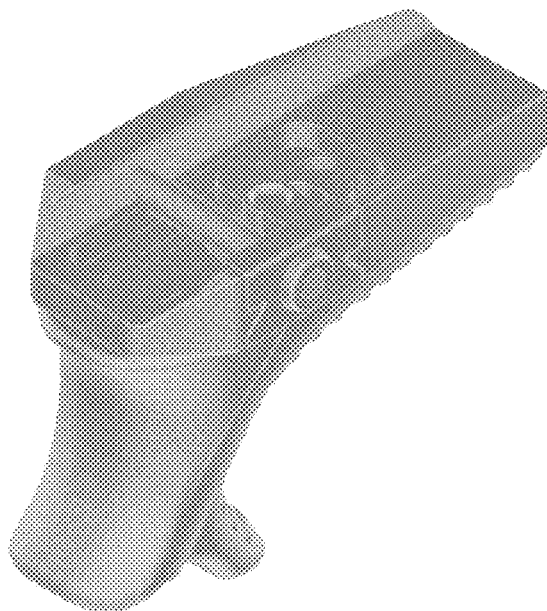
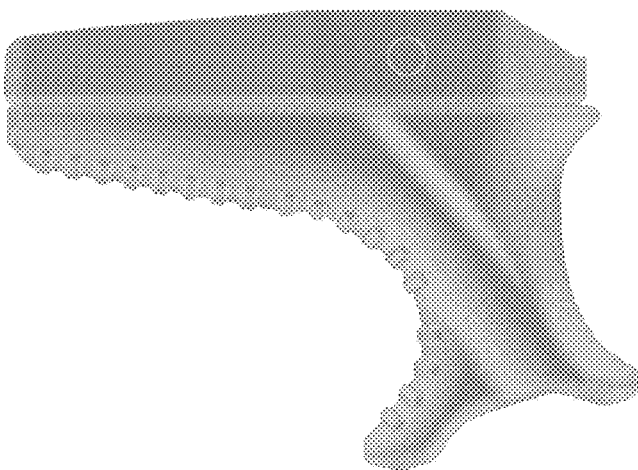
(57) **CLAIM**

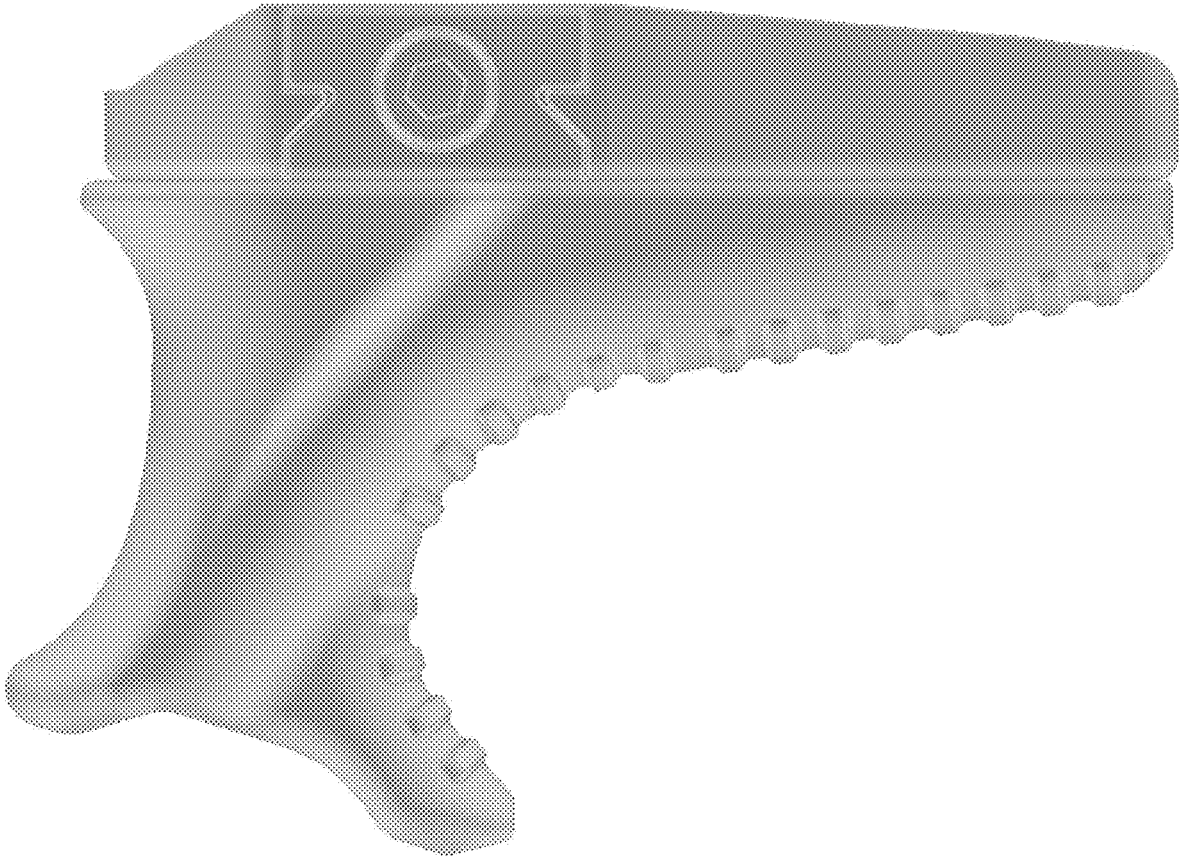
The ornamental design for a handstop, as shown and described.

**DESCRIPTION**

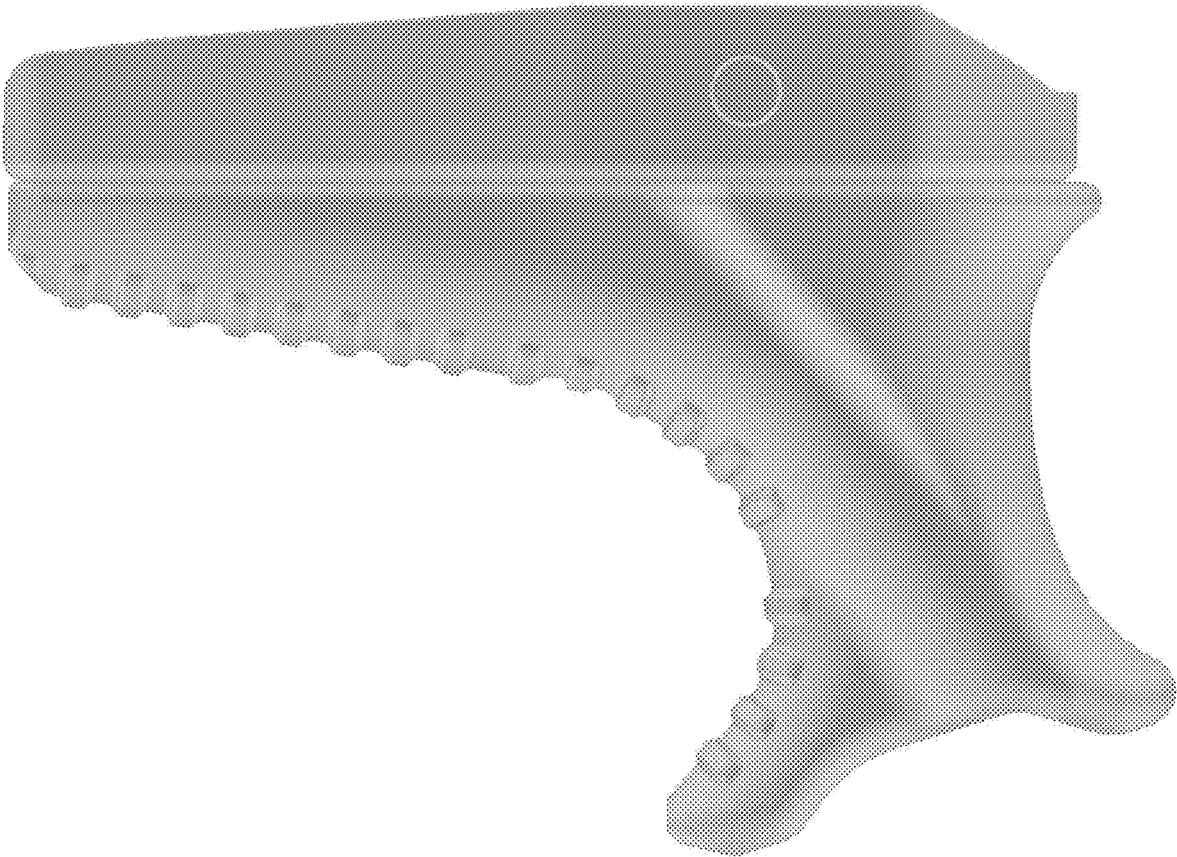
FIG. 1 is a front view of a handstop showing our new design; FIG. 2 is a rear view thereof; FIG. 3 is a top view thereof; FIG. 4 is a bottom view thereof; FIG. 5 is a left view thereof; FIG. 6 is a right view thereof; FIG. 7 is a front, top and left perspective view thereof; FIG. 8 is a front, bottom and right perspective view thereof; FIG. 9 is a rear, top and right perspective view thereof; and, FIG. 10 is a rear, bottom and left perspective view thereof.

**1 Claim, 10 Drawing Sheets**

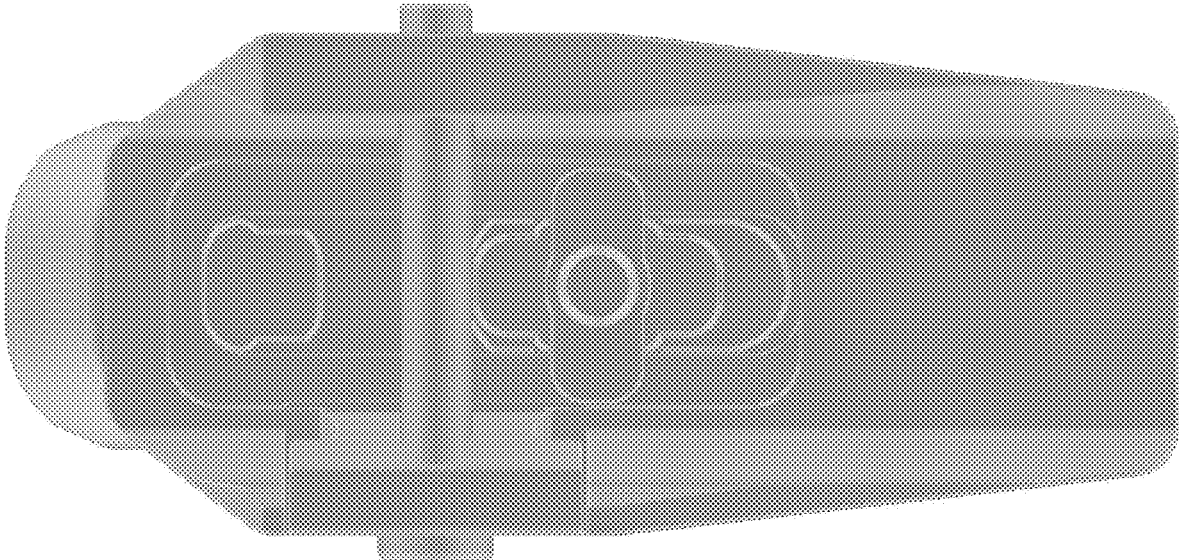




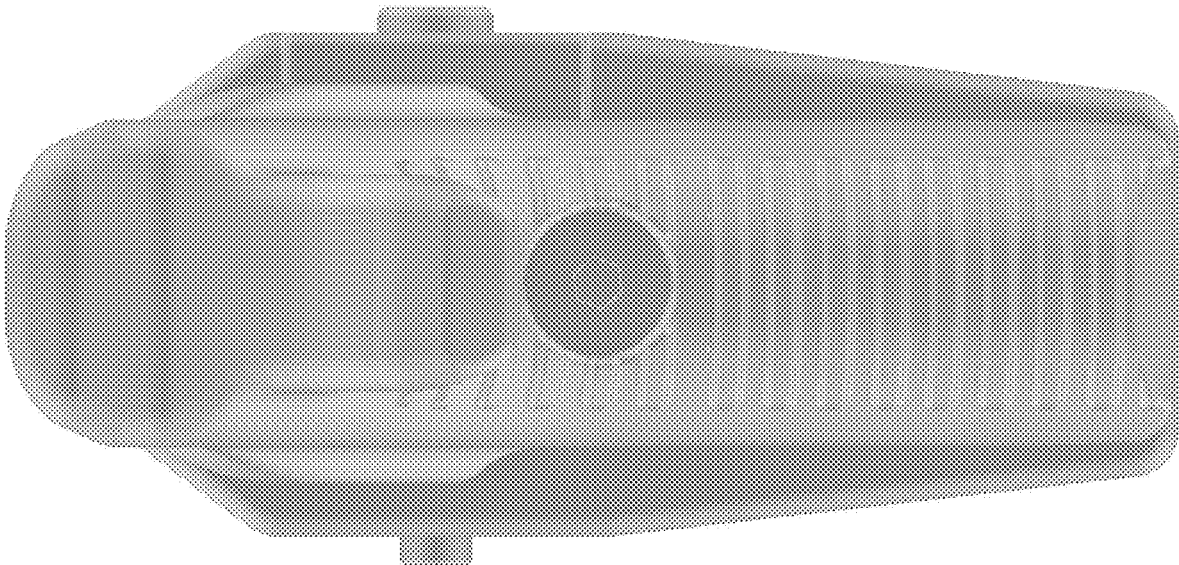
**FIG. 1**



**FIG. 2**



**FIG. 3**



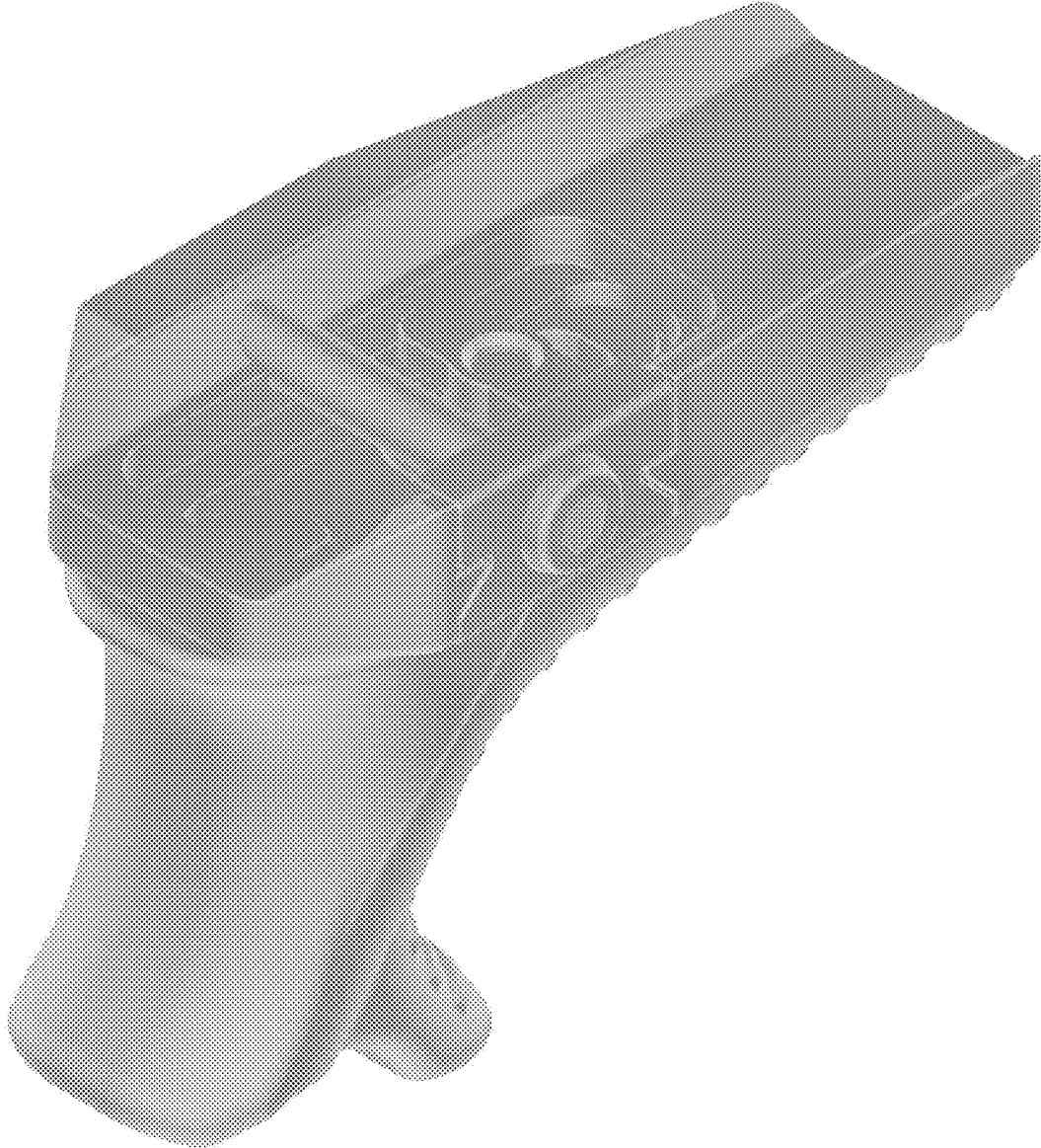
**FIG. 4**



**FIG. 5**

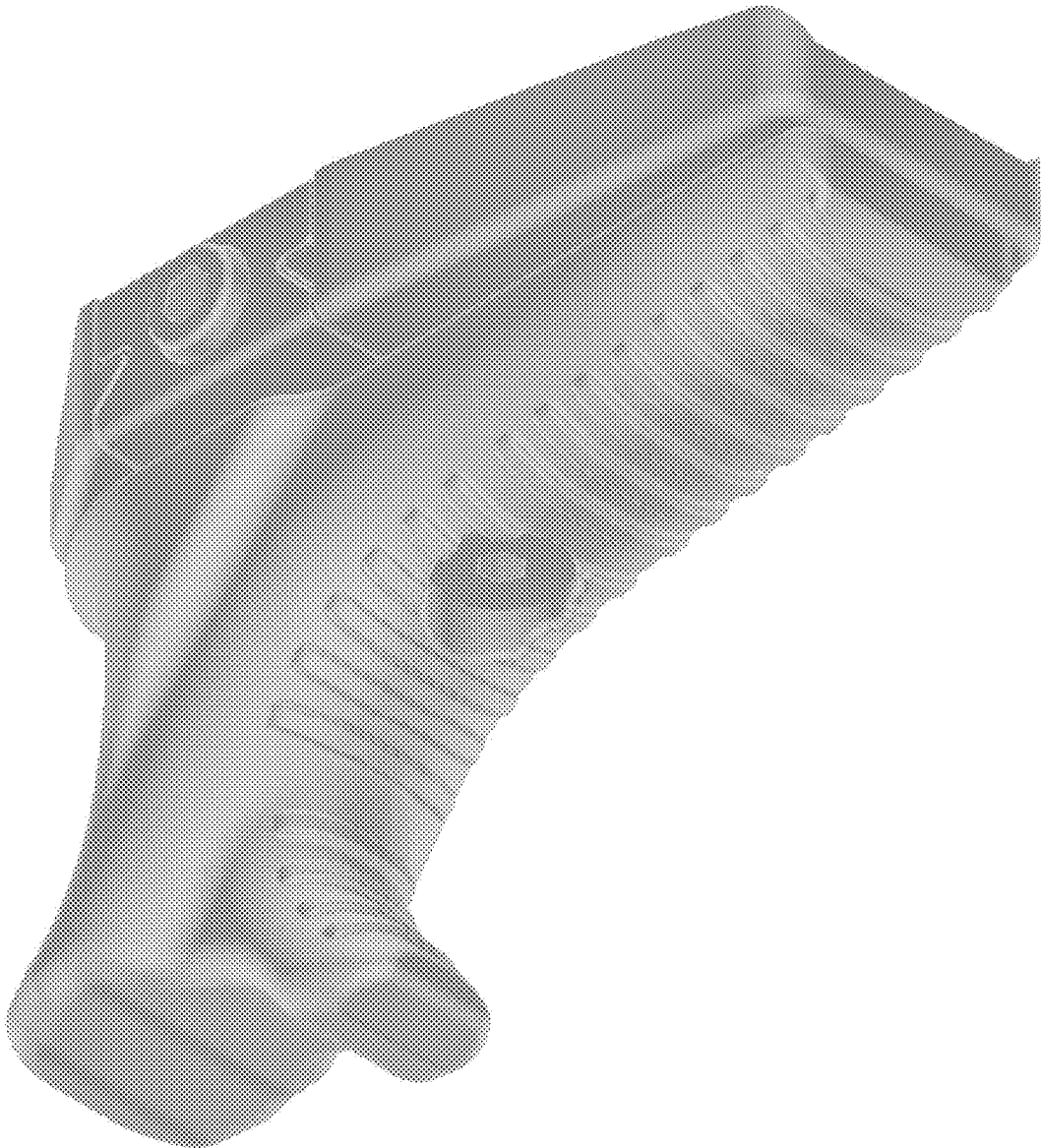


**FIG. 6**

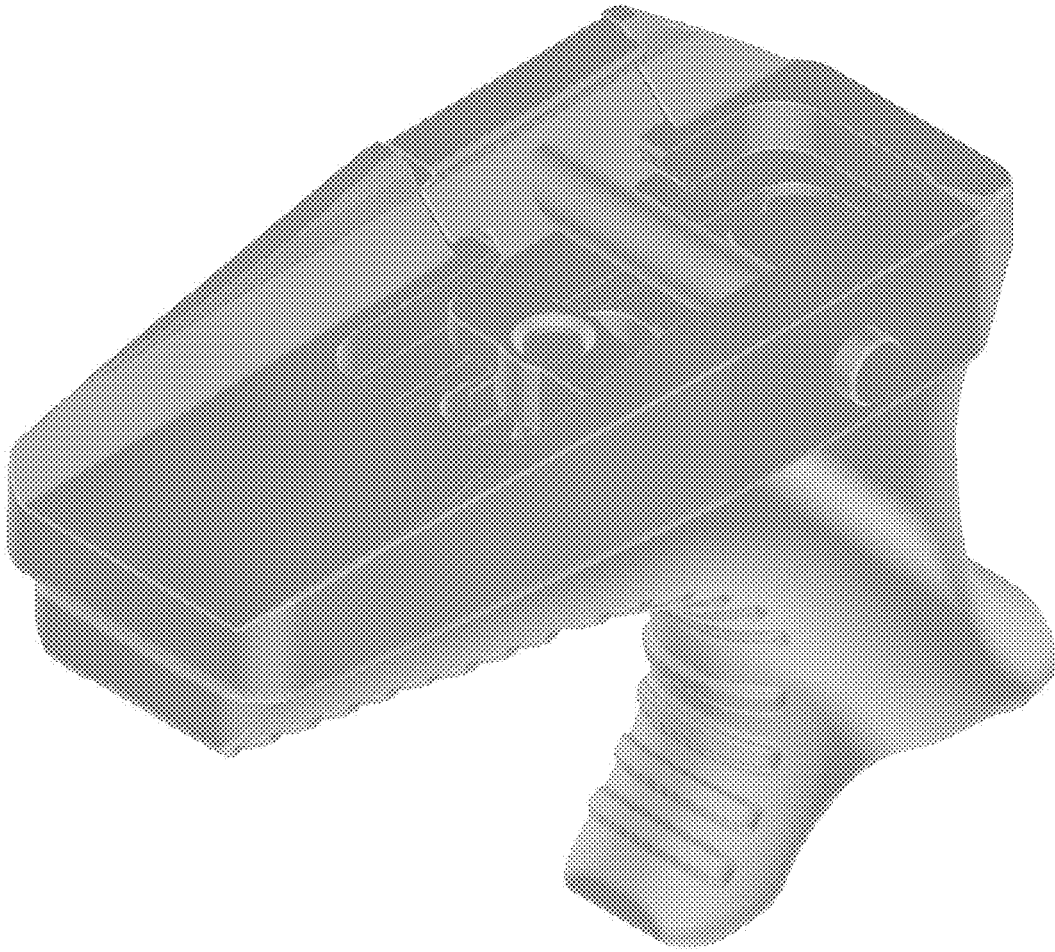


**FIG. 7**

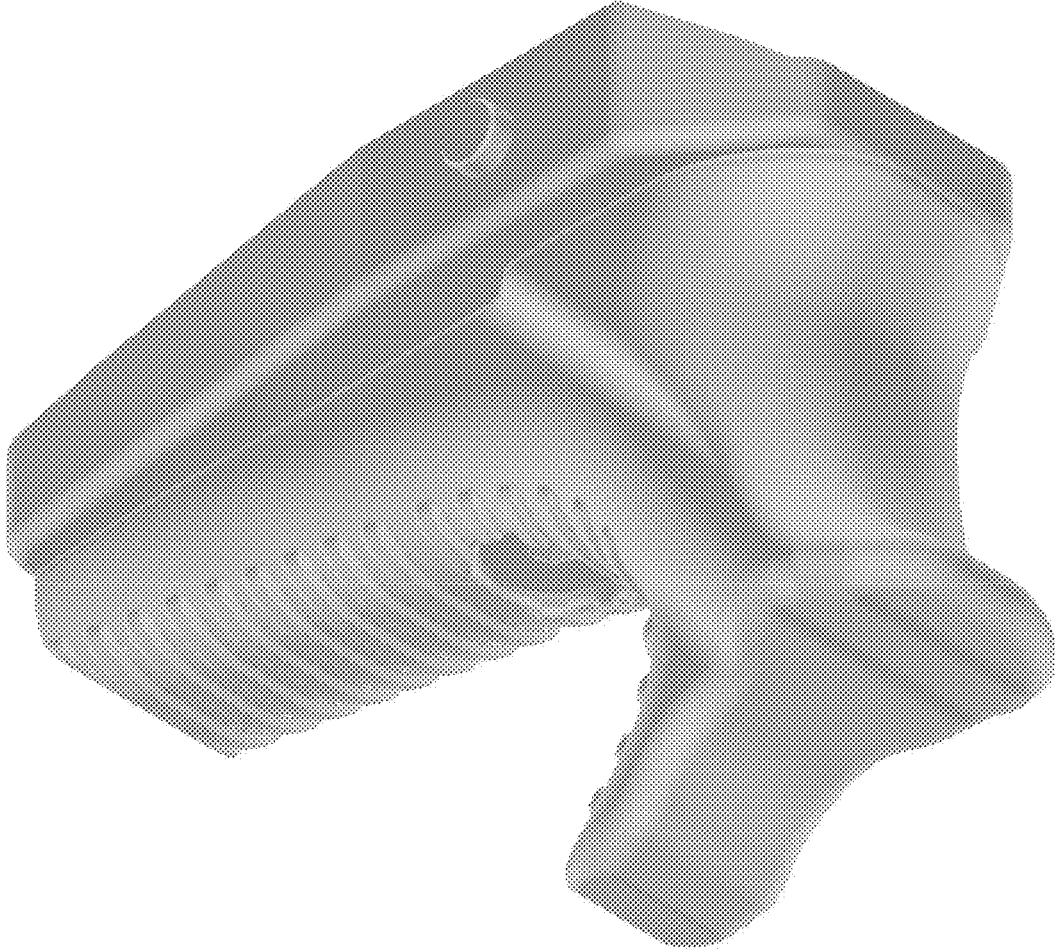




**FIG. 8**



**FIG. 9**



**FIG. 10**