



US00D695052S

(12) **United States Design Patent**
Ottavi

(10) **Patent No.:** **US D695,052 S**

(45) **Date of Patent:** **** Dec. 10, 2013**

(54) **ESPRESSO MACHINE**

(75) Inventor: **Nando Ottavi**, Cessapalombo (IT)

(73) Assignee: **Nuova Simonelli S.p.A.**, Belforte del Chienti (IT)

(**) Term: **14 Years**

(21) Appl. No.: **29/424,101**

(22) Filed: **Jun. 7, 2012**

(51) **LOC (9) Cl.** **07-01**

(52) **U.S. Cl.**
USPC **D7/309; D7/311**

(58) **Field of Classification Search**
USPC D7/309-311, 300, 305; 99/279, 284,
99/290

See application file for complete search history.

(56) **References Cited**

U.S. PATENT DOCUMENTS

D313,724 S *	1/1991	Pinon	D7/308
D395,975 S *	7/1998	Munoz	D7/308
D417,580 S *	12/1999	Fusi	D7/309
D439,788 S *	4/2001	Bettini	D7/309
D497,510 S *	10/2004	Comorera Ivanov	D7/307
6,862,978 B1 *	3/2005	Fognolo	99/279
D550,498 S *	9/2007	Vicente Seguer	D7/309

D551,487 S *	9/2007	Beretta	D7/309
D573,393 S *	7/2008	Trazzi	D7/309
D589,739 S *	4/2009	Giugiaro	D7/309
D592,003 S *	5/2009	Giugiaro	D7/309
D640,083 S *	6/2011	Davenport	D7/309
D672,998 S *	12/2012	Bonetto	D7/309

* cited by examiner

Primary Examiner — Marianne Pandozzi

(74) *Attorney, Agent, or Firm* — Lowe Hauptman & Ham, LLP

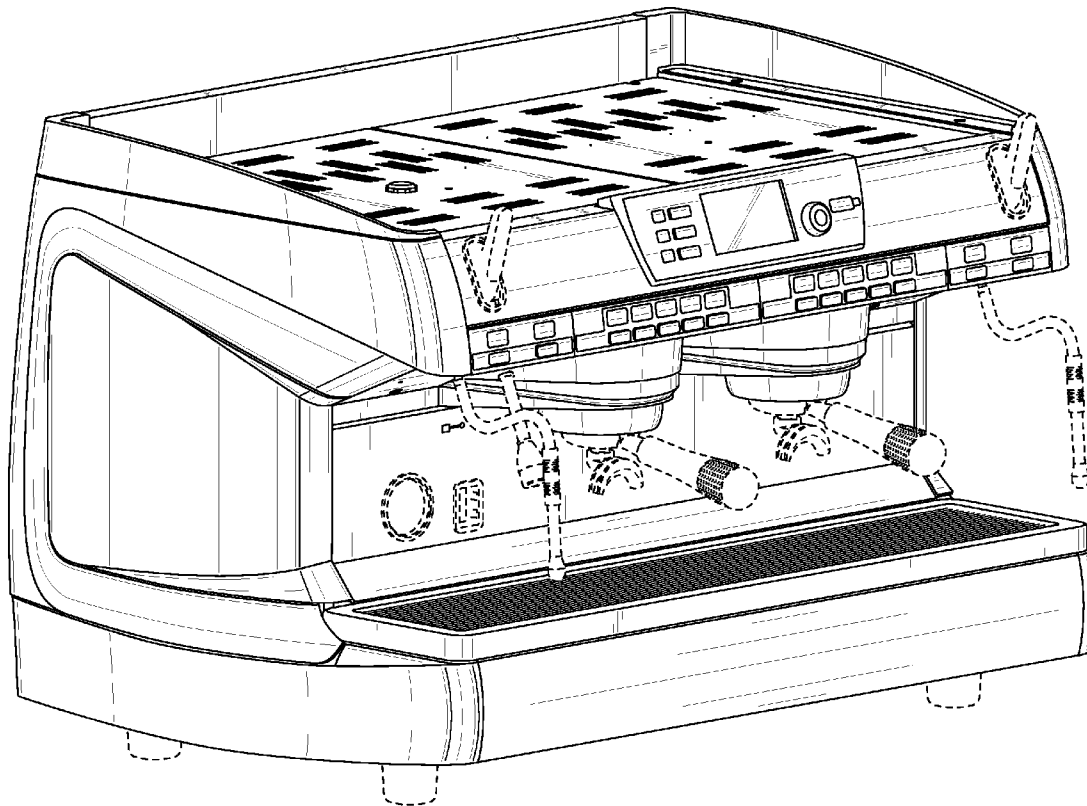
(57) **CLAIM**

The ornamental design for an espresso machine, as shown and described.

DESCRIPTION

FIG. 1 is a front perspective view of the espresso machine, showing my new design;
 FIG. 2 is a front view thereof;
 FIG. 3 is a rear view thereof;
 FIG. 4 is a left side view thereof;
 FIG. 5 is a right side view thereof;
 FIG. 6 is a top view thereof; and,
 FIG. 7 is a bottom view thereof.
 The broken lines shown in the Figures form no part of the claim design.

1 Claim, 7 Drawing Sheets



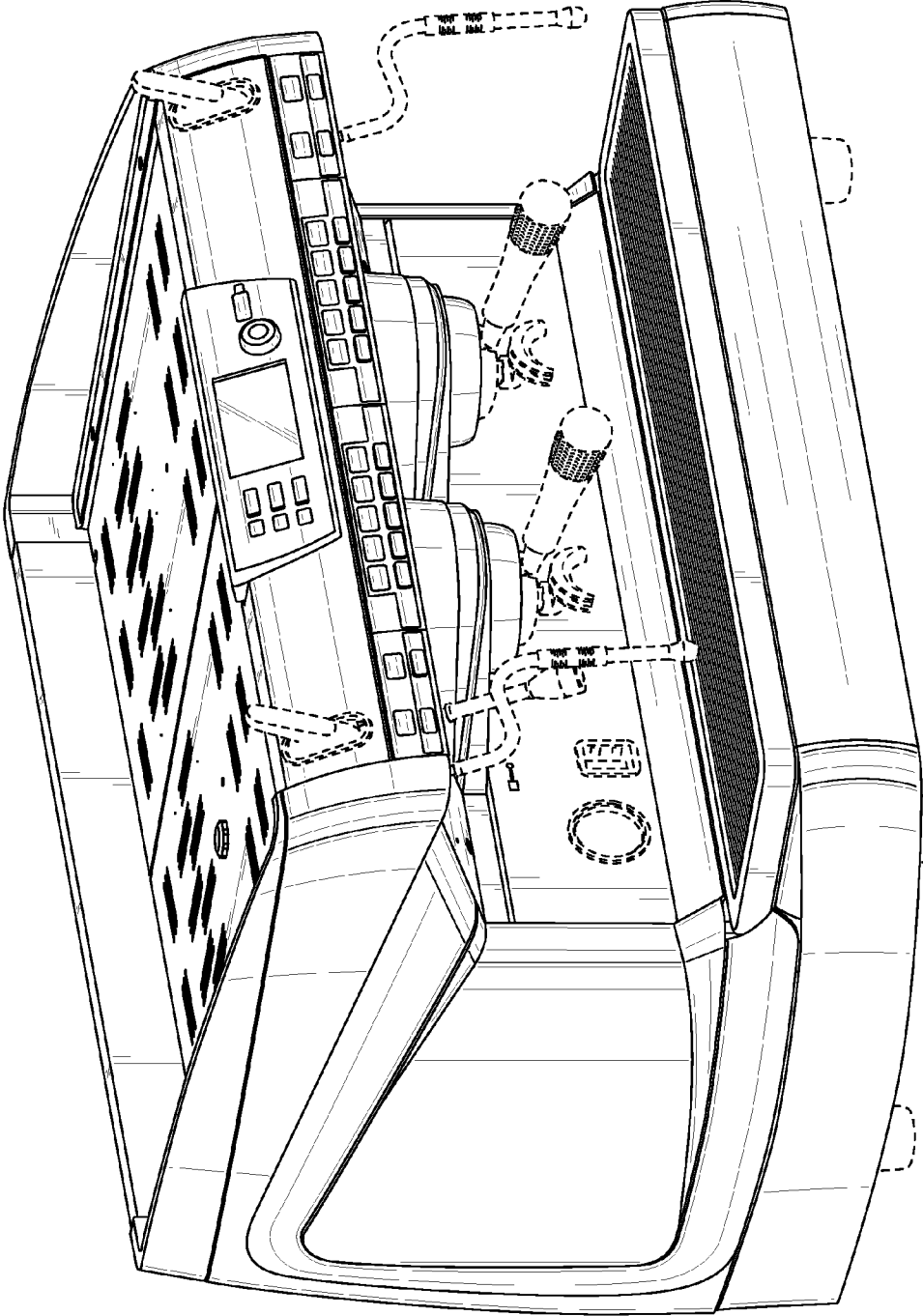


FIG. 1

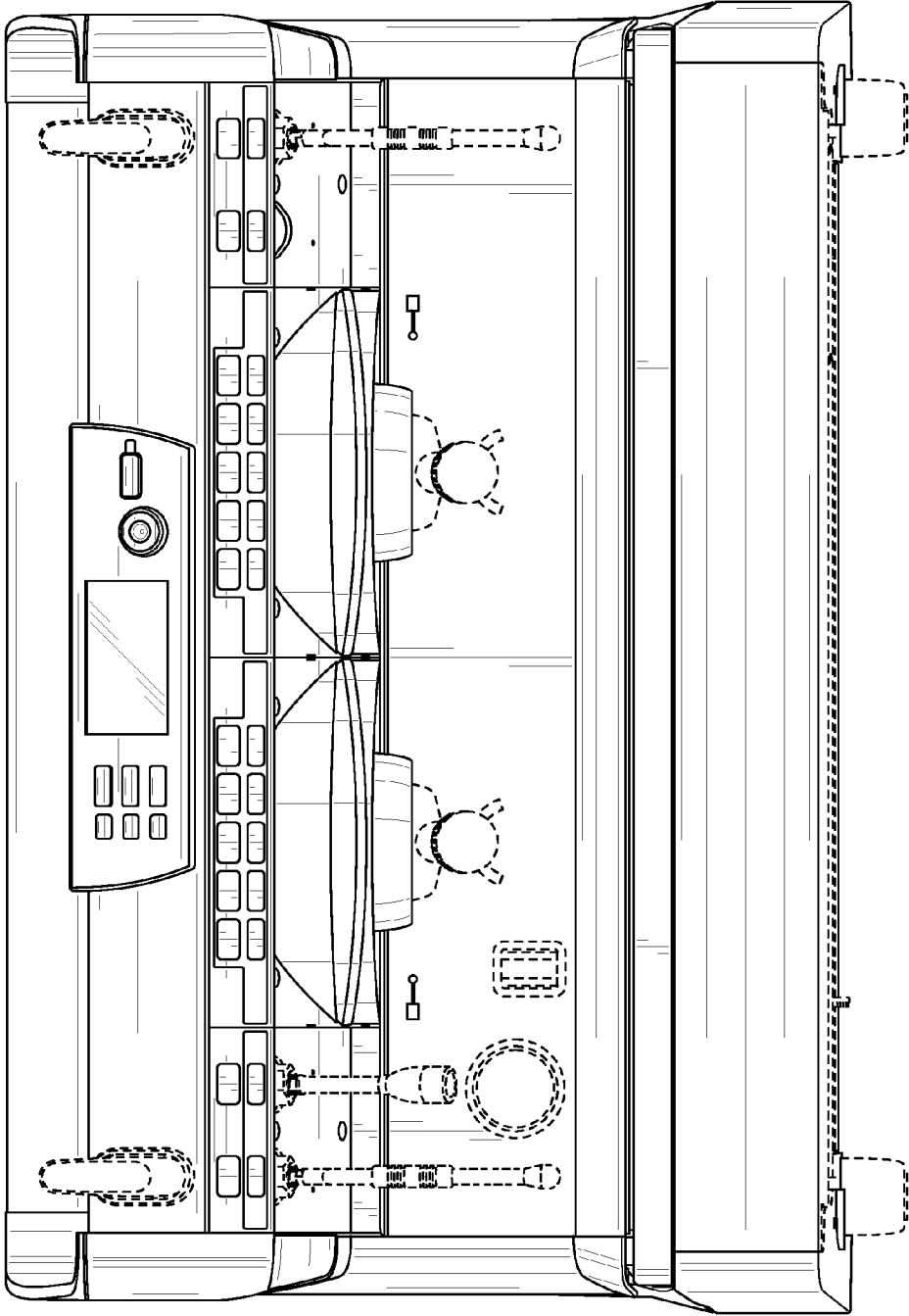


FIG. 2

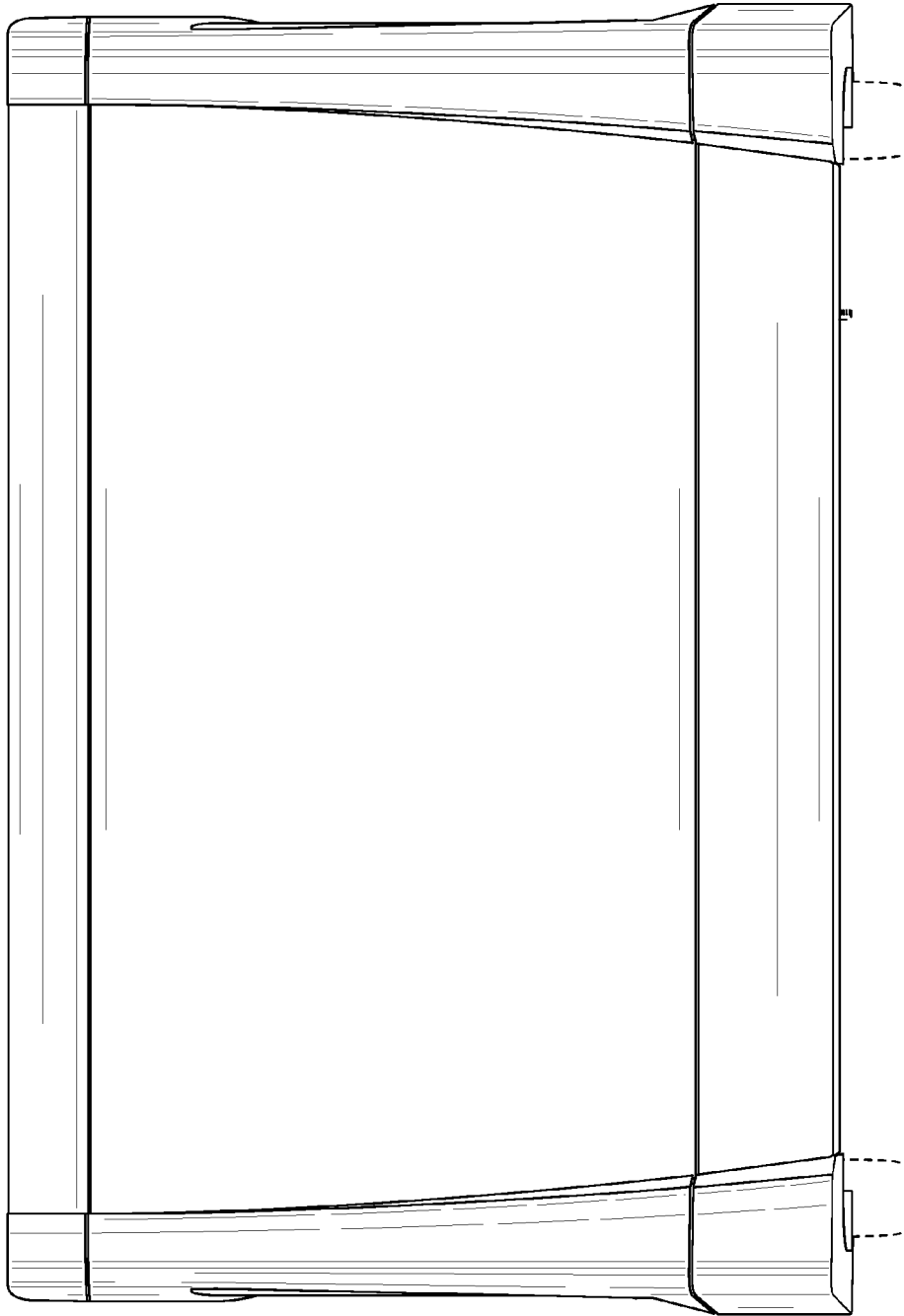


FIG. 3

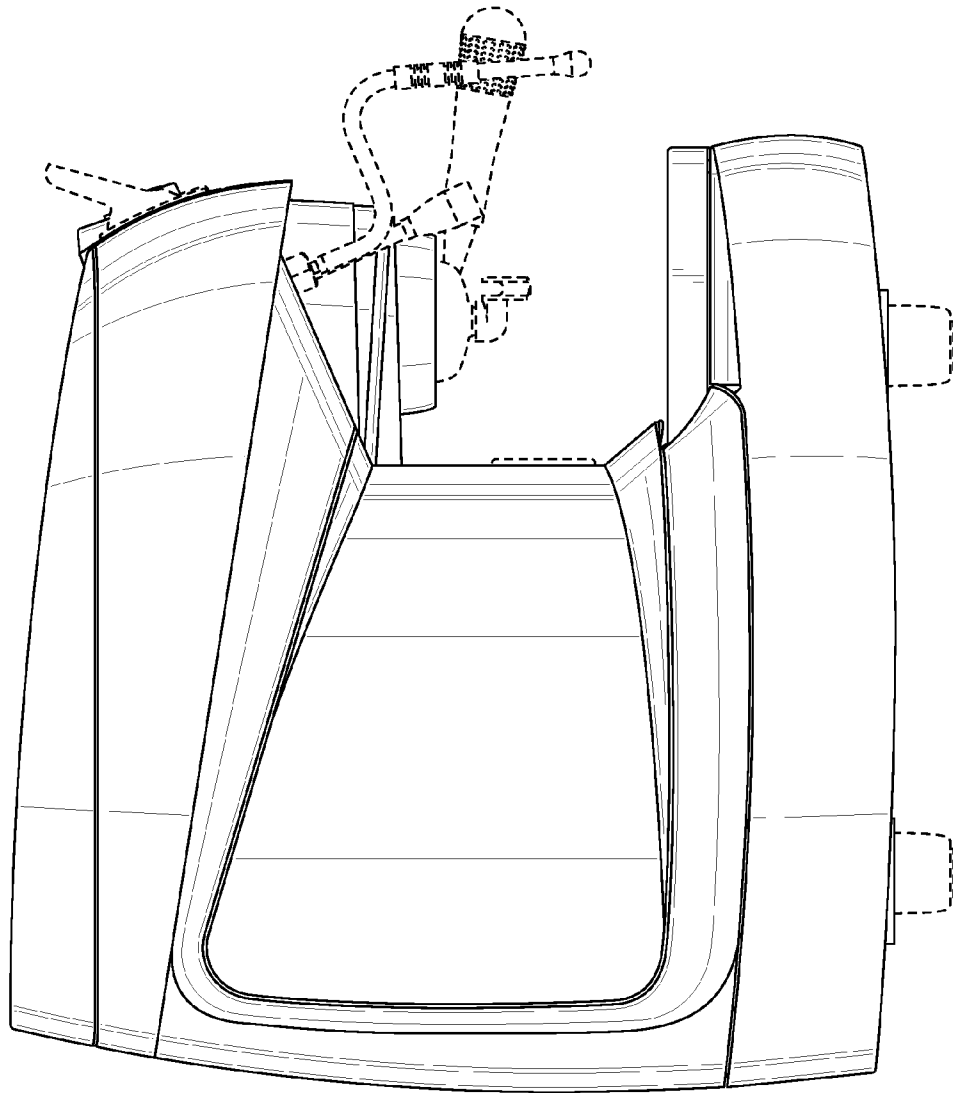


FIG. 4

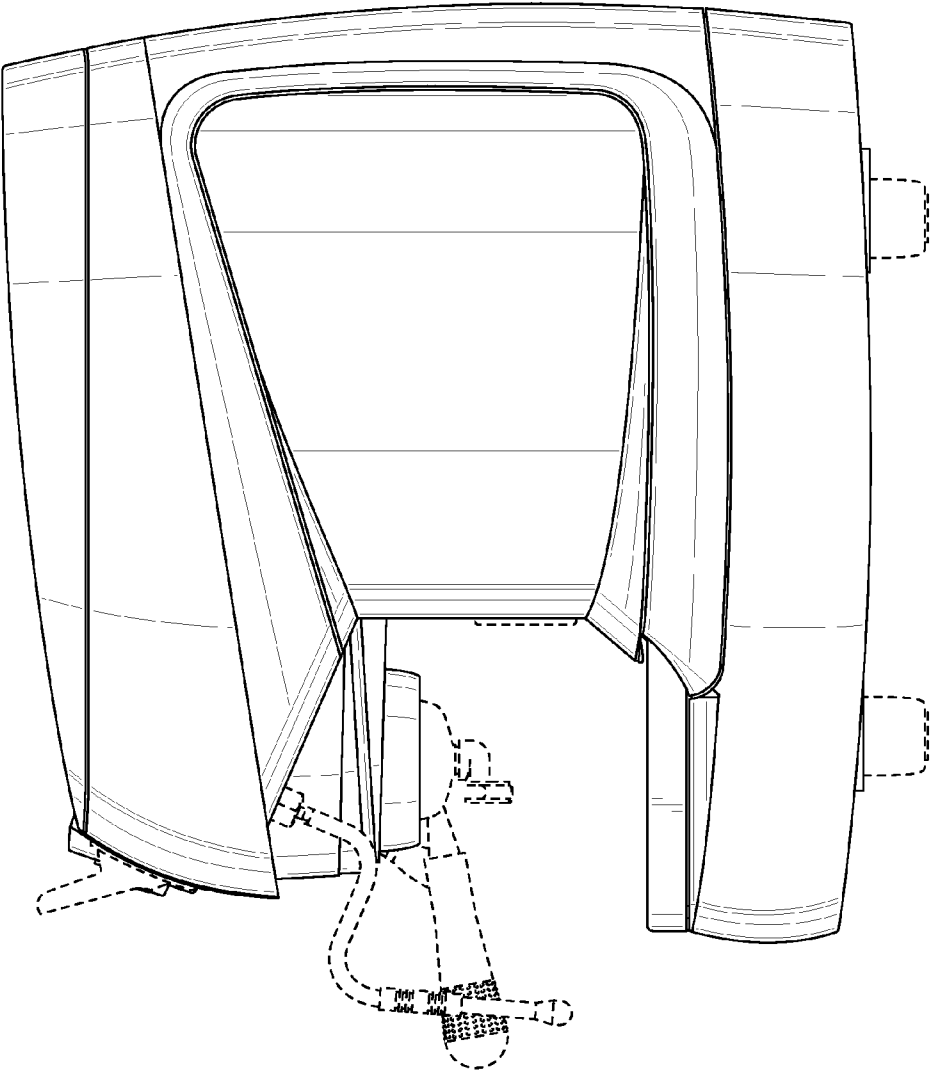


FIG. 5

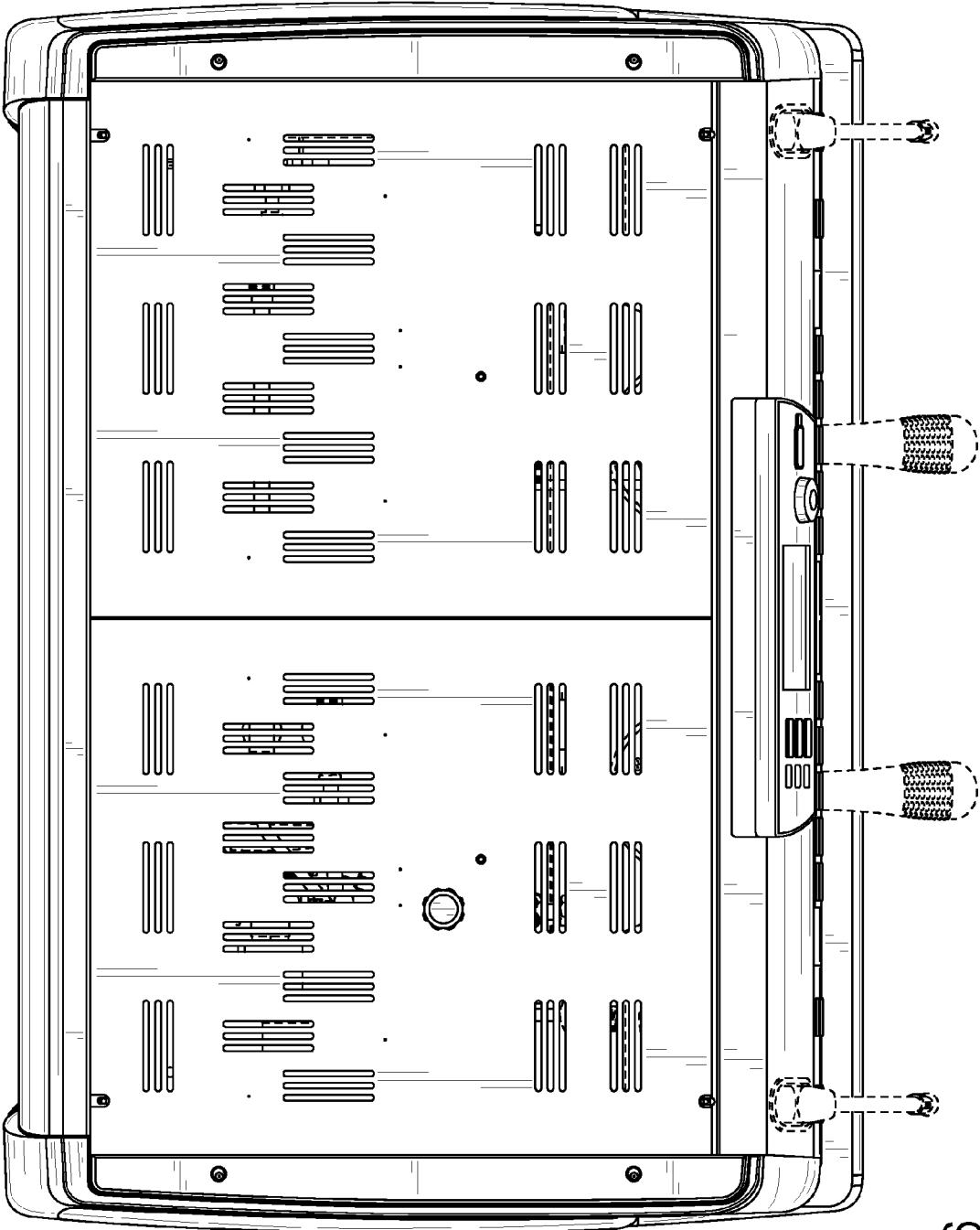


FIG. 6

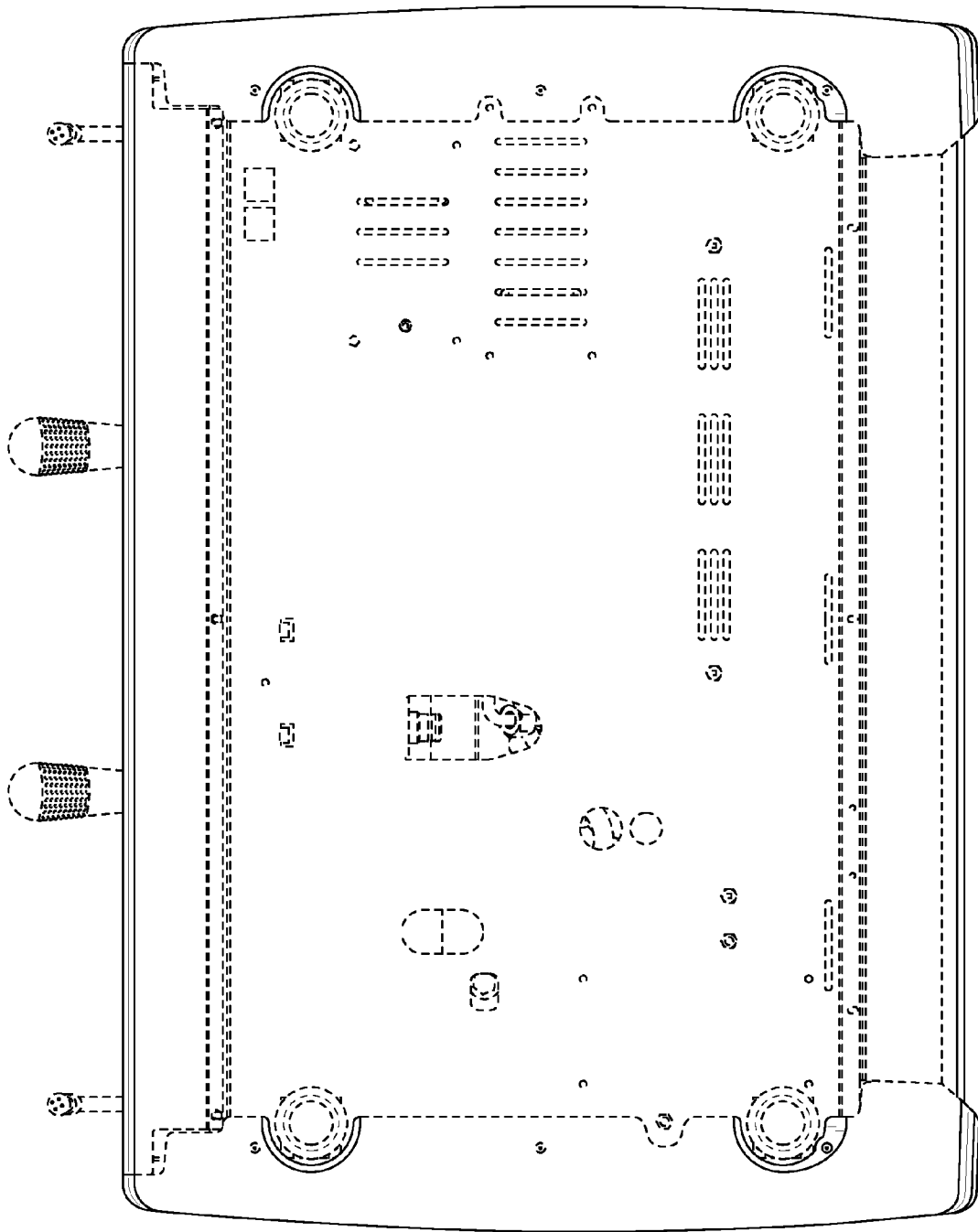


FIG. 7