



US00D345280S

United States Patent [19]

[11] Patent Number: **Des. 345,280**

Powell

[45] Date of Patent: **** Mar. 22, 1994**

[54] **DEEP-FRYER**

4,636,618 1/1987 Jenicot D7/354 X

[75] Inventor: **Dick Powell, London, Great Britain**

OTHER PUBLICATIONS

[73] Assignee: **SEB, Selongey, France**

HFD Magazine; Jan. 16, 1989; p. 131; DéLonghi deep fryer bottom of page.

[**] Term: **14 Years**

Primary Examiner—Alan P. Douglas
Assistant Examiner—Caron D. Veynar
Attorney, Agent, or Firm—Young & Thompson

[21] Appl. No.: **2,859**

[22] Filed: **Dec. 21, 1992**

[57] CLAIM

[30] **Foreign Application Priority Data**

The ornamental design for a deep-fryer, as shown and described.

Jun. 19, 1992 [FR] France 923 827

[52] U.S. Cl. **D7/354; D7/323**

[58] Field of Search D7/323, 354, 358, 360;
219/429, 432, 438, 440; 99/331, 403, 410, 411,
413

DESCRIPTION

[56] **References Cited**

U.S. PATENT DOCUMENTS

D. 313,530 1/1991 Leiros D7/354
D. 339,025 9/1993 Piret et al. D7/323 X

FIG. 1 is a front elevational view of a deep-fryer showing my new design;
FIG. 2 is a rear elevational view;
FIG. 3 is an elevational view from the left side;
FIG. 4 is an elevational view from the right side;
FIG. 5 is a top plan view;
FIG. 6 is a bottom plan view; and,
FIG. 7 is a front perspective view.

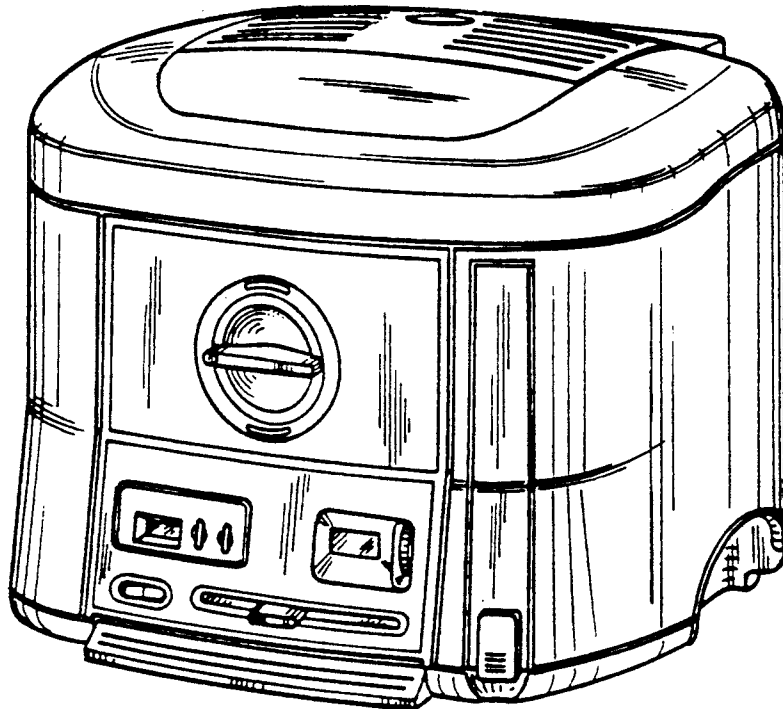


FIG. 1

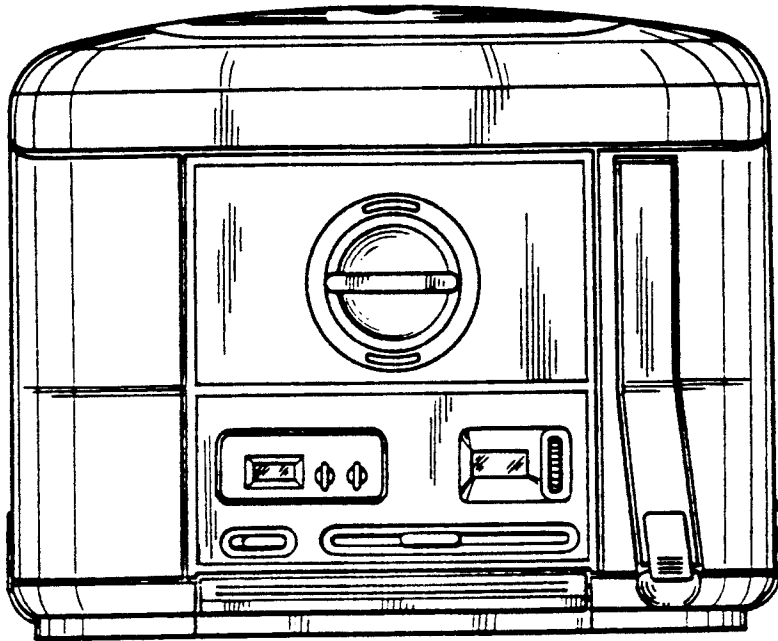


FIG. 2

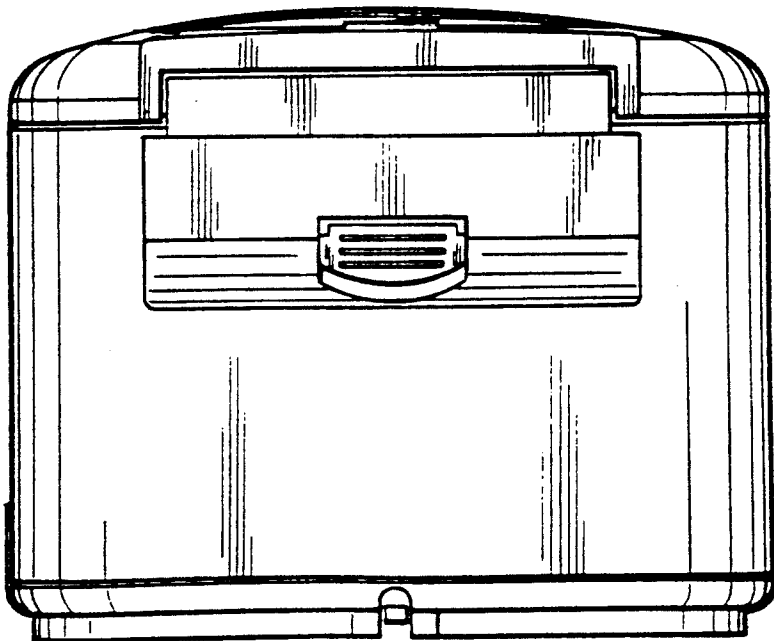


FIG. 3

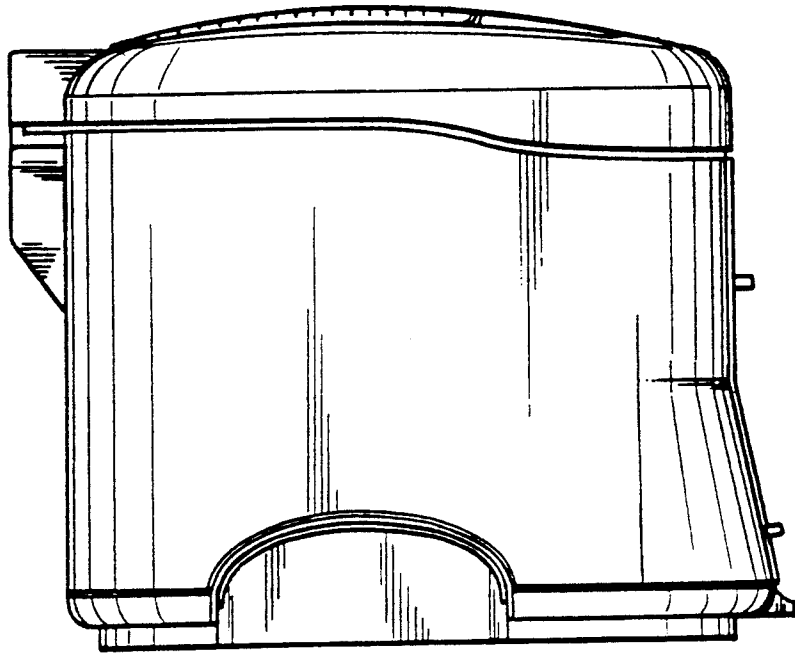


FIG. 4

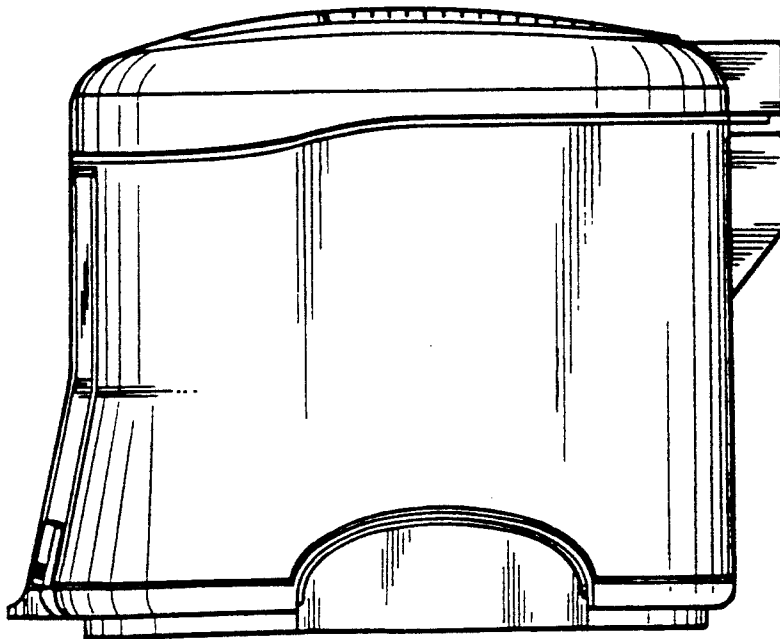


FIG. 5

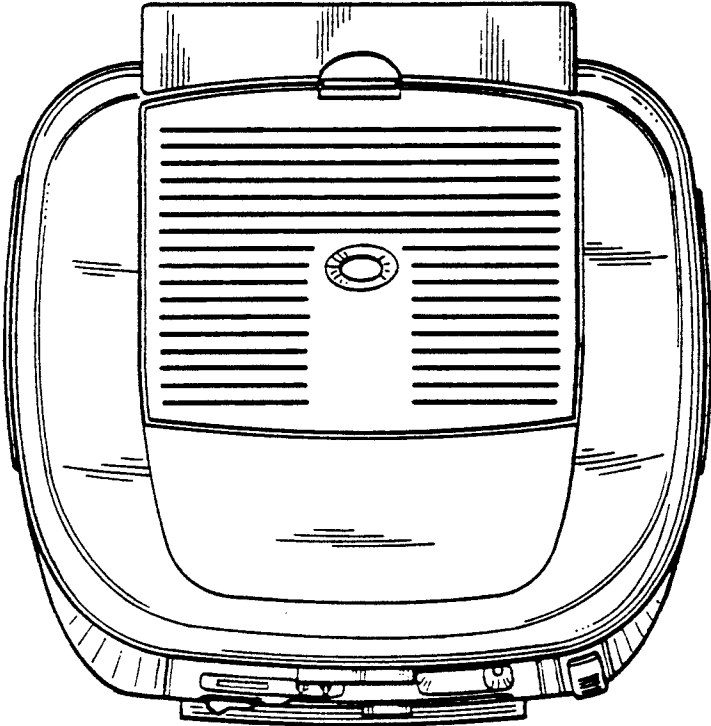
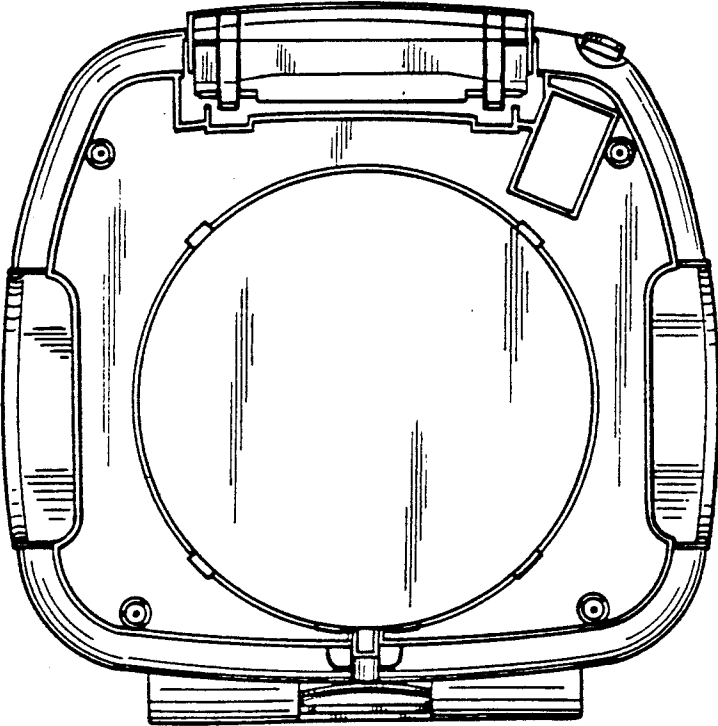


FIG. 6



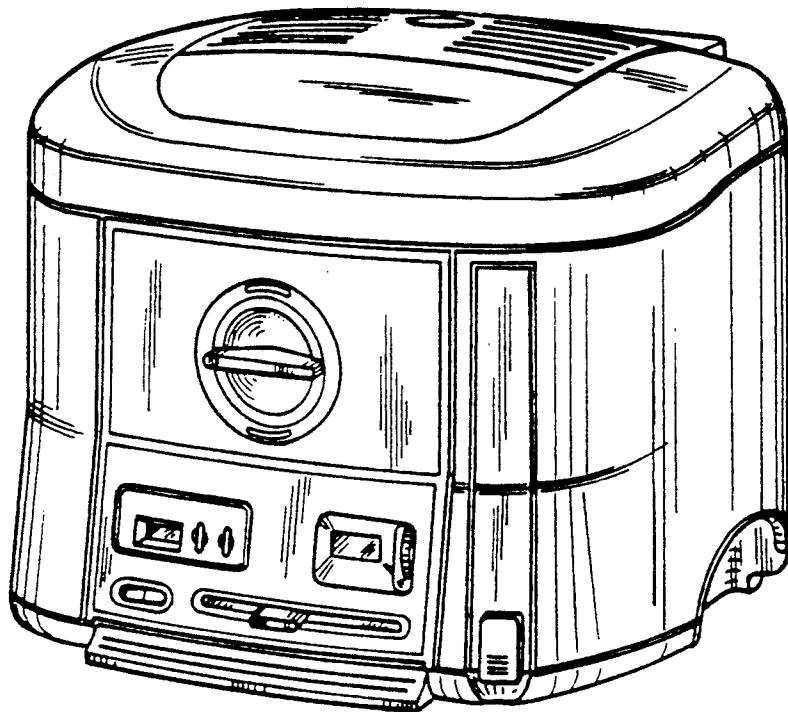


FIG. 7