



US00D642054S

(12) **United States Design Patent**  
**Samartgis**

(10) **Patent No.:** **US D642,054 S**

(45) **Date of Patent:** **\*\* \*Jul. 26, 2011**

(54) **LID AND SEAL FOR CONTAINER**

(74) *Attorney, Agent, or Firm* — Cool Alex Ltd.

(75) Inventor: **Jim Samartgis**, Melbourne (AU)

(57) **CLAIM**

I claim the ornamental design for a lid and seal for container, as shown and described.

(73) Assignee: **The Decor Corporation Pty Ltd.**, Scoresby, Victoria (AU)

**DESCRIPTION**

(\* ) Notice: This patent is subject to a terminal disclaimer.

FIG. 1 is a front perspective view, from above, of the claimed design;

(\*\*) Term: **14 Years**

FIG. 2 is a rear perspective view, from beneath, of the claimed design;

(21) Appl. No.: **29/359,453**

FIG. 3 is an exploded front perspective view, from above, of the claimed design, showing the lid component and seal component separated;

(22) Filed: **Apr. 12, 2010**

FIG. 4 is an exploded rear perspective view, from beneath, of the claimed design, showing the lid component and seal component separated;

(51) **LOC (9) Cl.** ..... **09-07**

FIG. 5 is a side view of the claimed design, showing the lid component and seal component in combination (when connected together);

(52) **U.S. Cl.** ..... **D9/435**

FIG. 6 is a top plan view of the lid component of the claimed design;

(58) **Field of Classification Search** ..... D9/424, D9/425, 431, 432, 434, 435, 436, 438, 455, D9/456, 444, 445, 443; D7/392.1, 629, 391, D7/607, 608, 622, 624.2, 624.3; 220/780, 220/256, 901, 802, 796, 784, 781; 215/352, 215/328, 256, 253, 252, 243, 237, 228, 223

See application file for complete search history.

FIG. 7 is an end plan view of the claimed design, showing the lid component and seal component in combination (when connected together);

(56) **References Cited**

**U.S. PATENT DOCUMENTS**

D3,357 S *	2/1869	Pratt	.....	D9/434
D3,358 S *	2/1869	Pratt	.....	D9/434
D117,714 S *	11/1939	Guttman	.....	D9/455
D170,104 S *	7/1953	Zabel	.....	D9/443
3,384,263 A *	5/1968	Bernstein	.....	206/519
D220,448 S *	4/1971	Swett	.....	D7/629
D224,553 S *	8/1972	Swett	.....	D7/542
D224,554 S *	8/1972	Swett	.....	D7/629
D229,916 S *	1/1974	Schneider	.....	D7/542

(Continued)

**OTHER PUBLICATIONS**

U.S. Appl. No. 29/353,513, Jim Samartgis.

(Continued)

*Primary Examiner* — Rob Spear

*Assistant Examiner* — Rashida C McCoy

FIG. 8 is an underneath plan view of the claimed design;

FIG. 9 is a side view of the lid component of the claimed design. Both side views are the same;

FIG. 10 is an end view of the lid component of the claimed design. Both end views are the same;

FIG. 11 is an underneath view of the lid component of the claimed design;

FIG. 12 is a side view of the seal component of the claimed design. Both side views are the same;

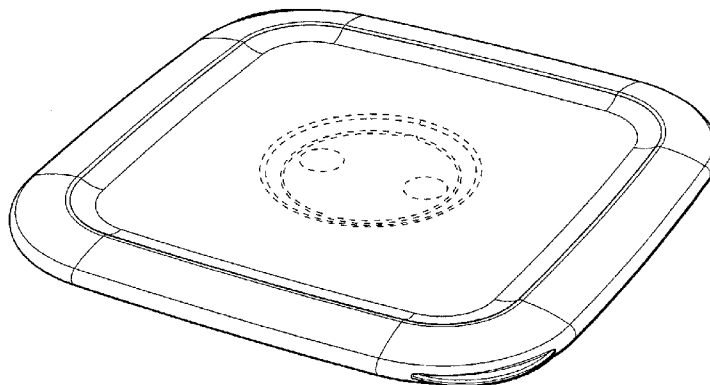
FIG. 13 is a top view of the seal component of the claimed design;

FIG. 14 is an end view of the seal component of the claimed design. Both end views are the same; and,

FIG. 15 is a bottom view of the seal component of the claimed design.

The purpose of broken lines in the drawings is to illustrate an optional vent that forms no part of the design to be patented.

**1 Claim, 8 Drawing Sheets**



U.S. PATENT DOCUMENTS

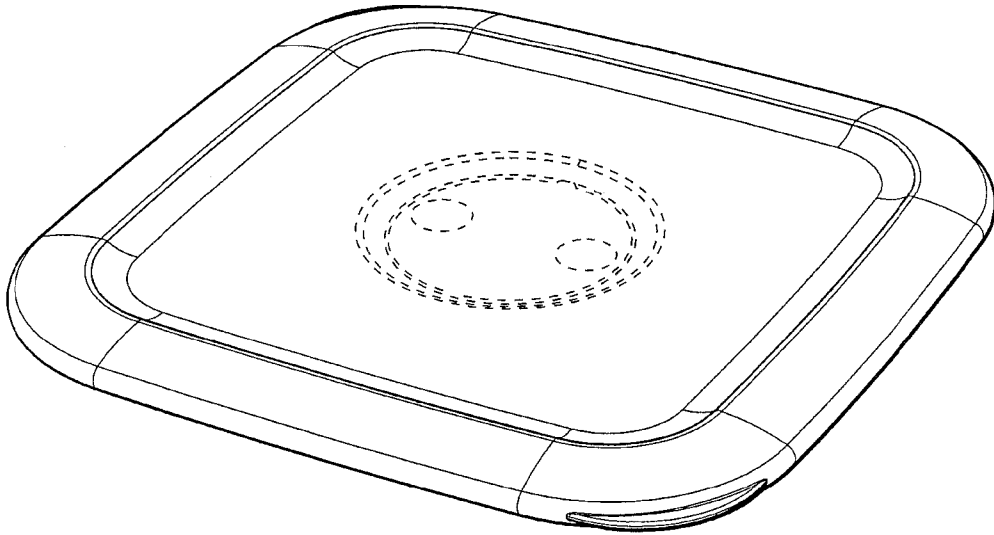
D232,703	S	*	9/1974	Knoz	.....	D9/424
D234,568	S	*	3/1975	Swett	.....	D7/629
D240,114	S	*	6/1976	Martinelli	.....	D7/629
D241,599	S	*	9/1976	Croyle	.....	D7/629
D241,703	S	*	10/1976	Aston	.....	D7/629
D267,703	S	*	1/1983	Chase et al.	.....	D9/435
D285,906	S	*	9/1986	Tyler	.....	D9/425
D287,573	S	*	1/1987	Tyler	.....	D9/435
D289,719	S	*	5/1987	Daenen et al.	.....	D7/392.1
D330,660	S	*	11/1992	Newton et al.	.....	D7/392.1
D351,791	S	*	10/1994	Morris, Sr.	.....	D9/425
D354,655	S	*	1/1995	Daenen et al.	.....	D7/392.1
D358,328	S	*	5/1995	Huerto et al.	.....	D9/435
D365,273	S	*	12/1995	Indekeu	.....	D9/434
D375,654	S	*	11/1996	Ferris	.....	D7/392.1
D403,582	S	*	1/1999	Nask et al.	.....	D9/435
D403,583	S	*	1/1999	Nask et al.	.....	D9/435
D446,117	S	*	8/2001	Conti	.....	D9/435
D536,248	S	*	2/2007	Lesquir	.....	D9/435
D540,669	S	*	4/2007	George et al.	.....	D9/435
D571,200	S	*	6/2008	Bouveret et al.	.....	D9/435
D584,145	S	*	1/2009	Young	.....	D9/435
D588,914	S	*	3/2009	Laurieu-Tedeschi	.....	D9/435
D593,855	S	*	6/2009	Scheve	.....	D9/435

OTHER PUBLICATIONS

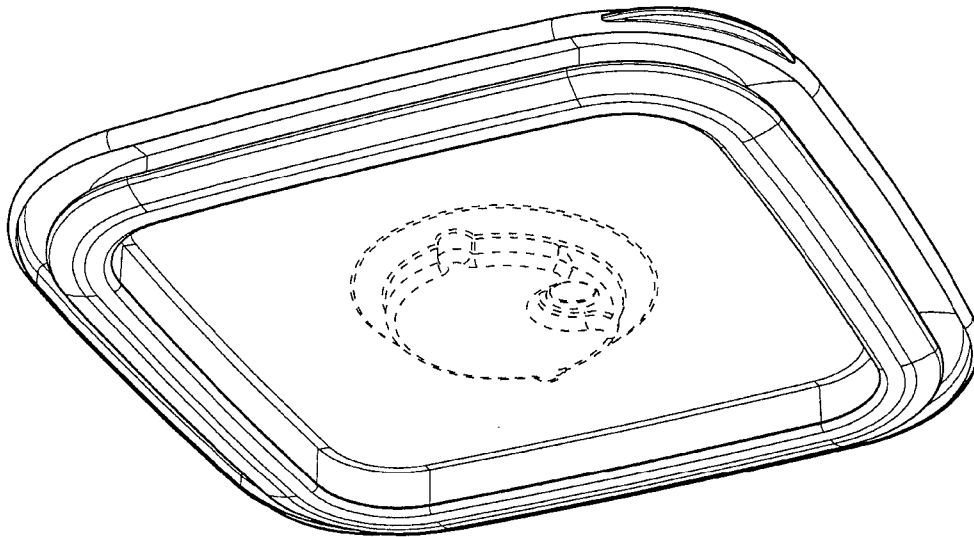
- U.S. Appl. No. 29/353,514, Jim Samartgis.
- U.S. Appl. No. 29/353,515, Jim Samartgis.
- U.S. Appl. No. 29/353,518, Jim Samartgis.
- U.S. Appl. No. 29/353,523, Jim Samartgis.

- U.S. Appl. No. 29/353,525, Jim Samartgis.
- U.S. Appl. No. 29/353,529, Jim Samartgis.
- U.S. Appl. No. 29/353,530, Jim Samartgis.
- U.S. Appl. No. 29/353,531, Jim Samartgis.
- U.S. Appl. No. 29/353,532, Jim Samartgis.
- U.S. Appl. No. 29/353,533, Jim Samartgis.
- U.S. Appl. No. 29/353,537, Jim Samartgis.
- U.S. Appl. No. 29/354,967, Jim Samartgis.
- U.S. Appl. No. 29/354,969, Jim Samartgis.
- U.S. Appl. No. 29/354,971, Jim Samartgis.
- U.S. Appl. No. 29/354,972, Jim Samartgis.
- U.S. Appl. No. 29/354,973, Jim Samartgis.
- U.S. Appl. No. 29/354,975, Jim Samartgis.
- U.S. Appl. No. 29/354,976, Jim Samartgis.
- U.S. Appl. No. 29/354,977, Jim Samartgis.
- U.S. Appl. No. 29/354,979, Jim Samartgis.
- U.S. Appl. No. 29/354,981, Jim Samartgis.
- U.S. Appl. No. 29/354,988, Jim Samartgis.
- U.S. Appl. No. 29/354,989, Jim Samartgis.
- U.S. Appl. No. 29/359,442, Jim Samartgis.
- U.S. Appl. No. 29/359,443, Jim Samartgis.
- U.S. Appl. No. 29/359,448, Jim Samartgis.
- U.S. Appl. No. 29/359,450, Jim Samartgis.
- U.S. Appl. No. 29/359,452, Jim Samartgis.
- U.S. Appl. No. 29/359,453, Jim Samartgis.
- U.S. Appl. No. 29/359,454, Jim Samartgis.
- U.S. Appl. No. 29/359,456, Jim Samartgis.
- U.S. Appl. No. 29/359,457, Jim Samartgis.

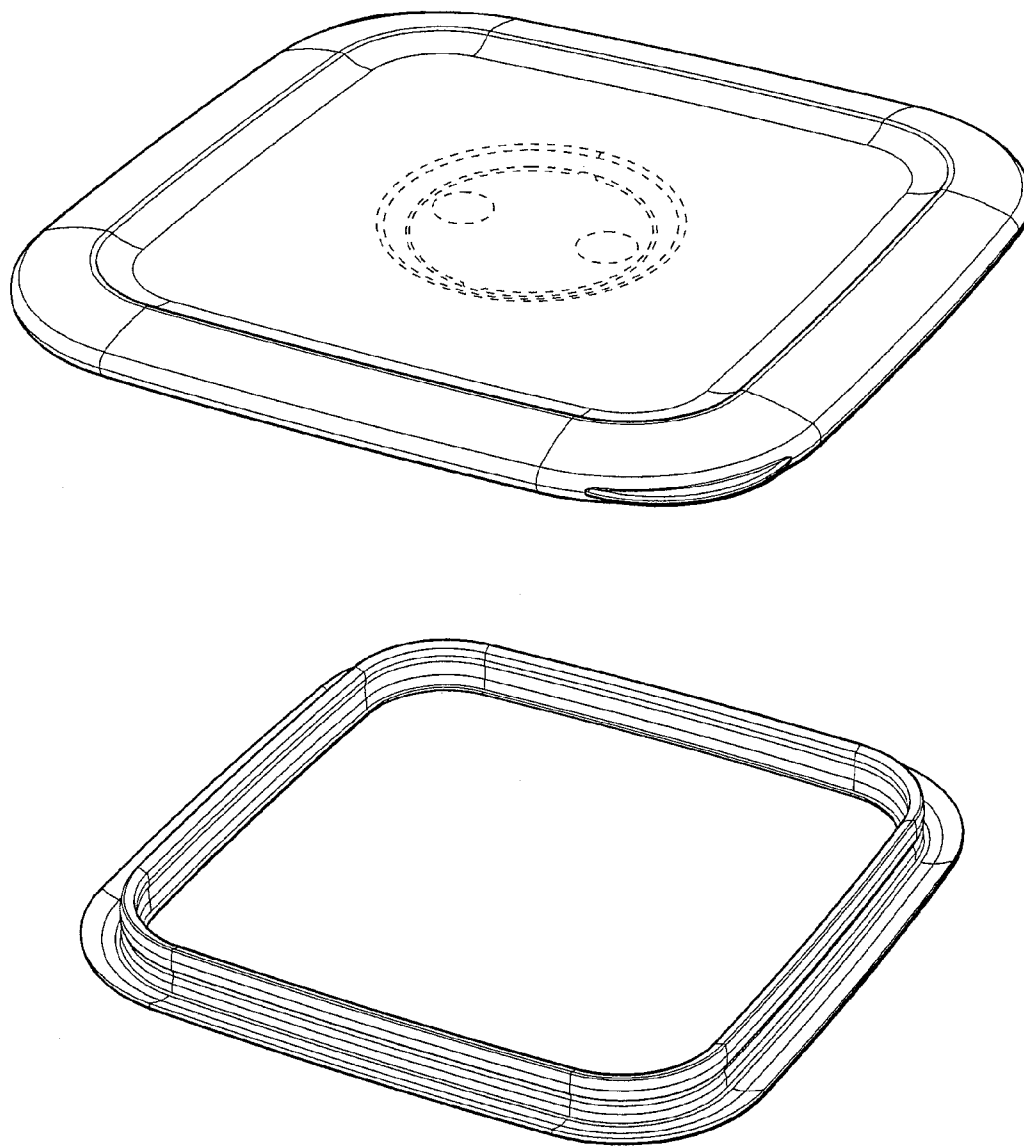
\* cited by examiner



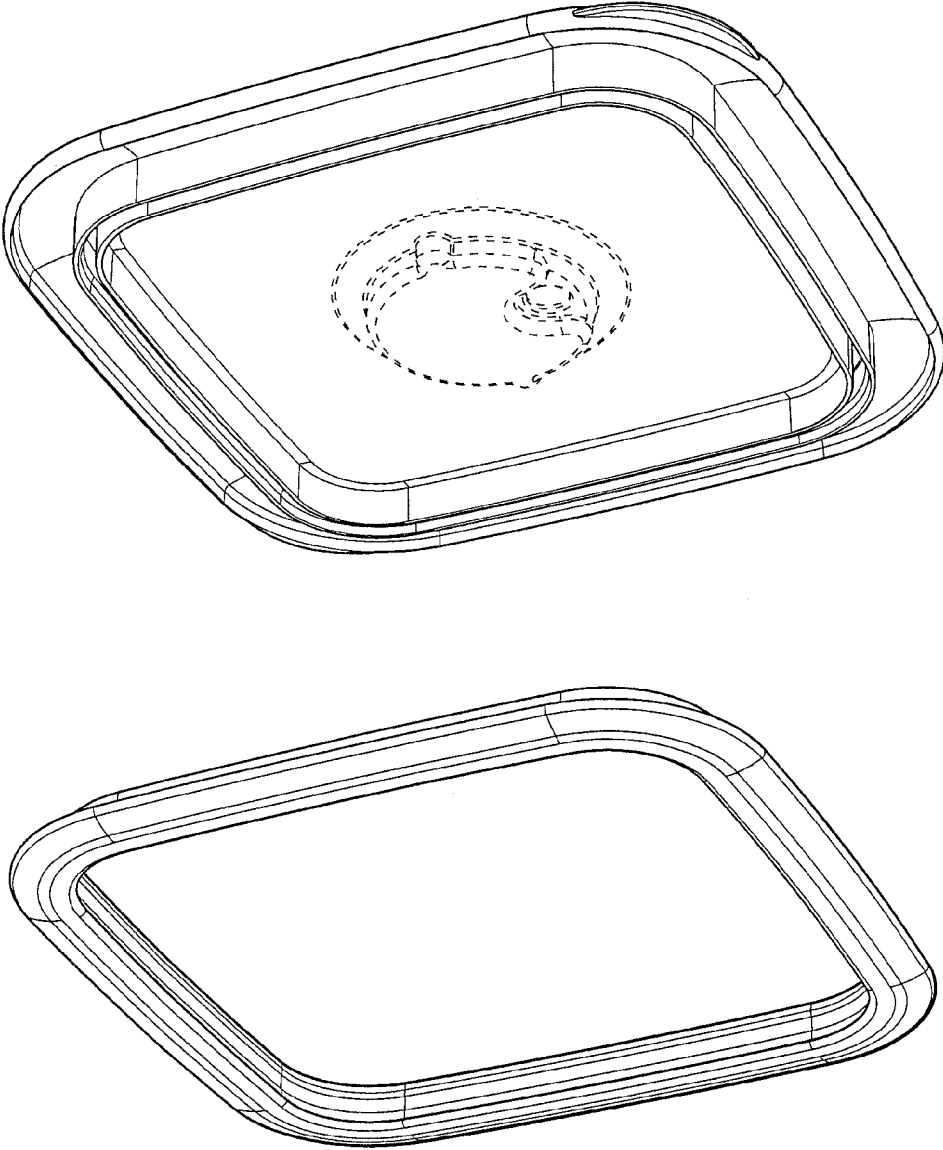
*Fig. 1*



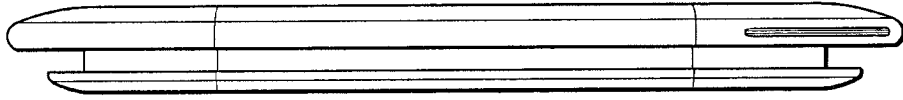
*Fig. 2*



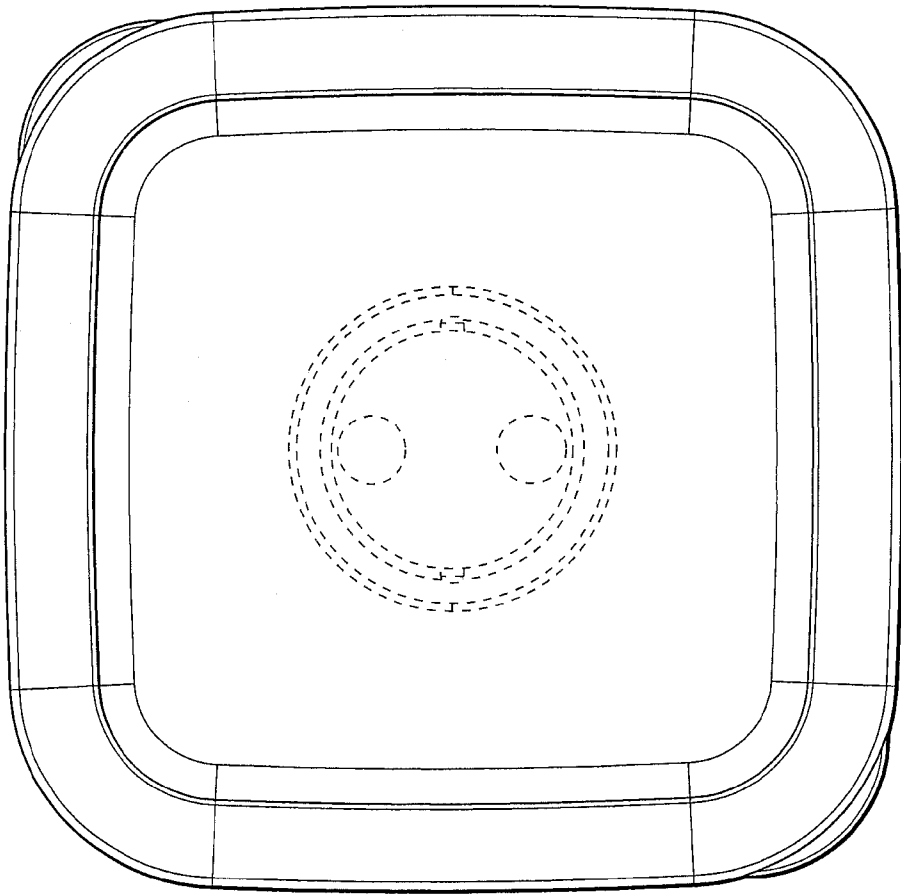
*Fig. 3*



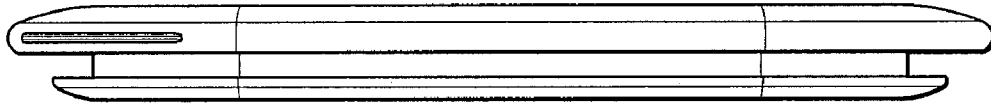
*Fig. 4*



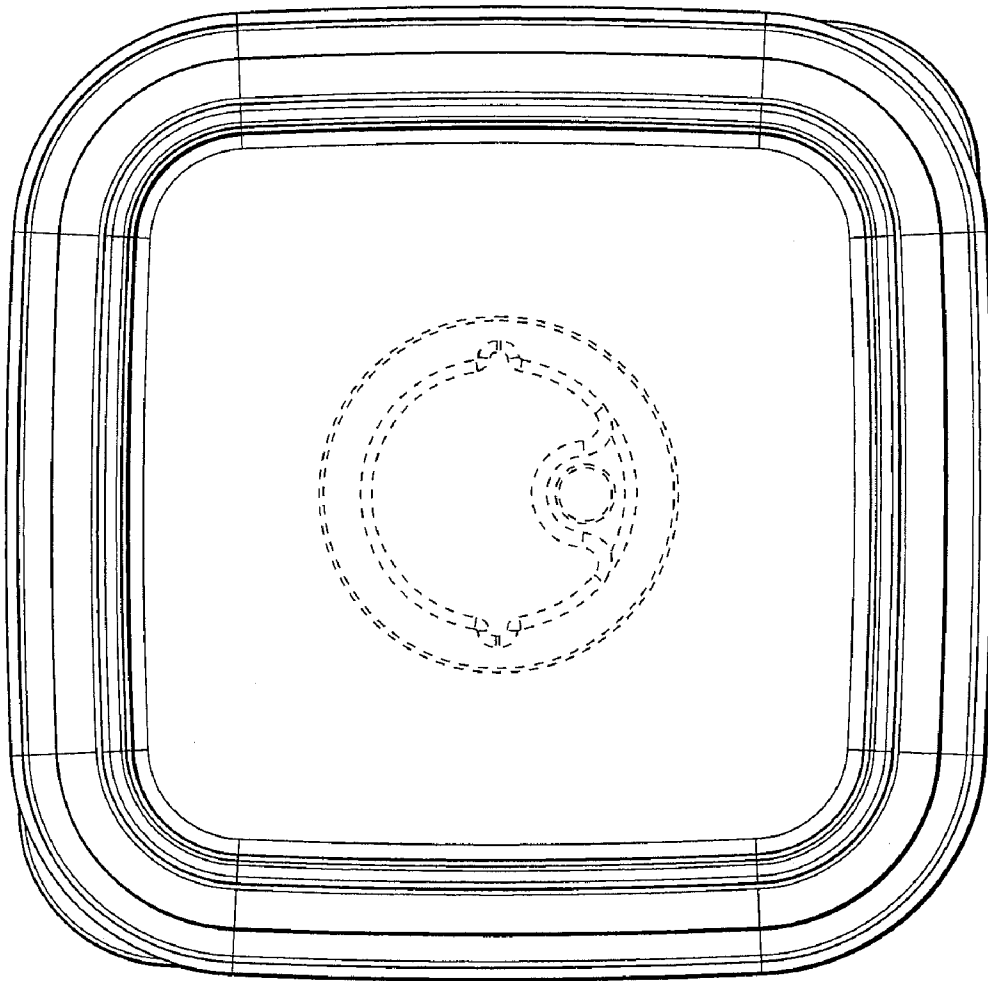
*Fig. 5*



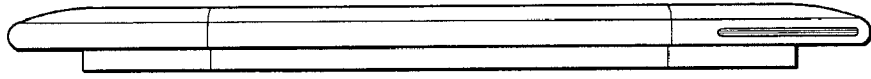
*Fig. 6*



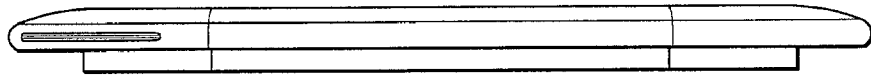
*Fig. 7*



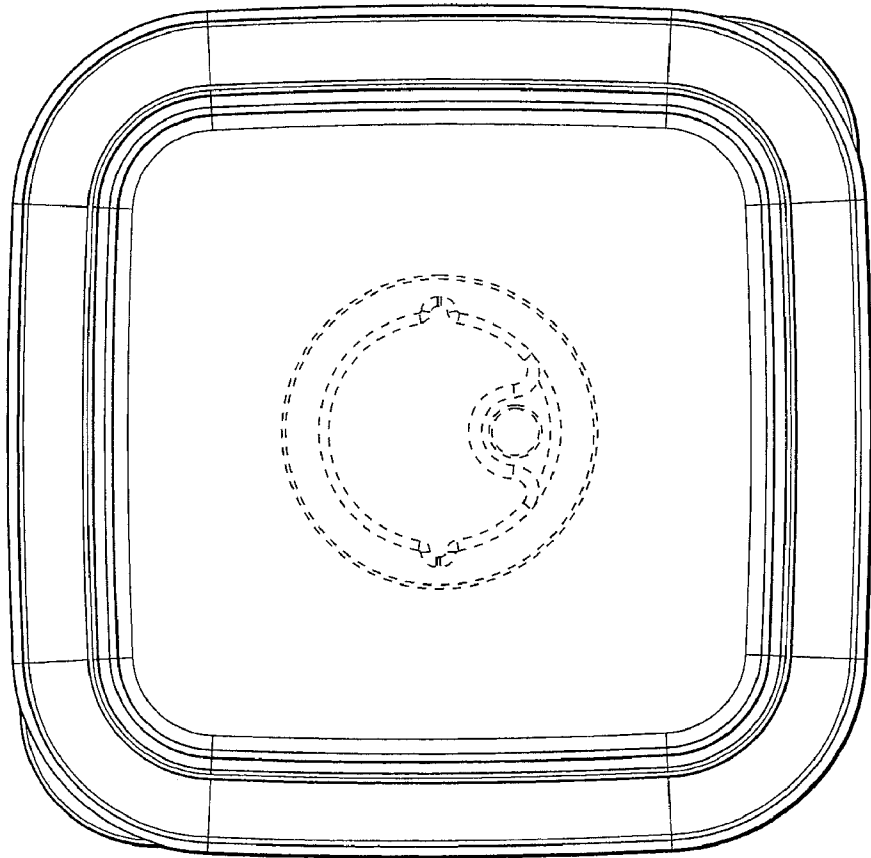
*Fig. 8*



*Fig. 9*

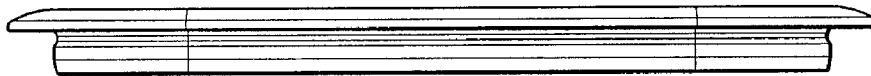


*Fig. 10*

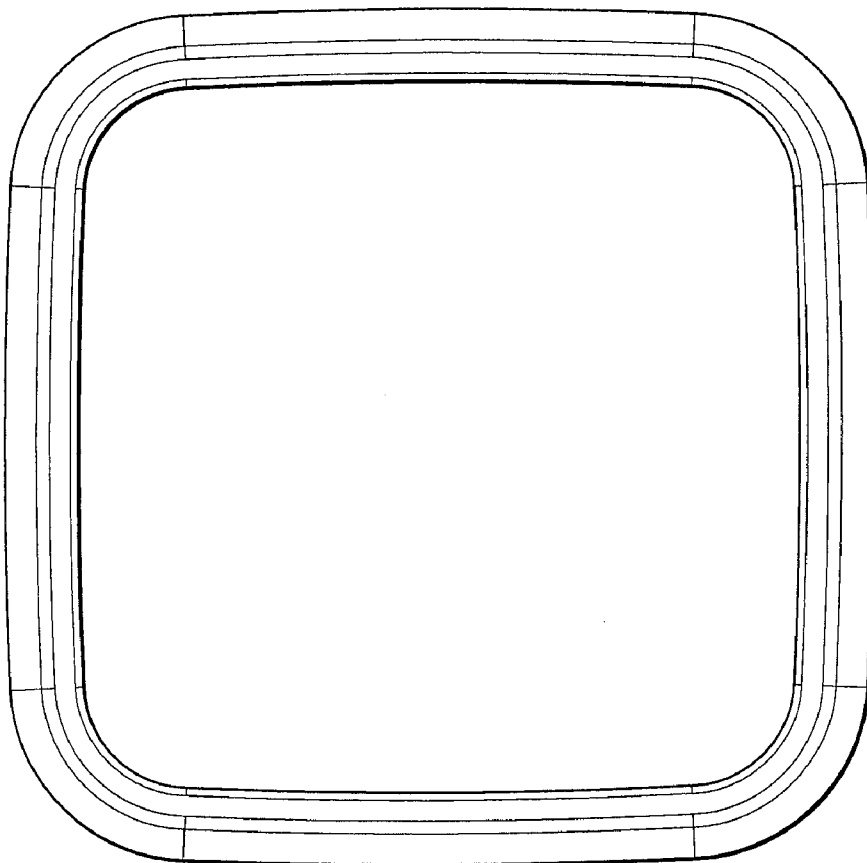


*Fig. 11*





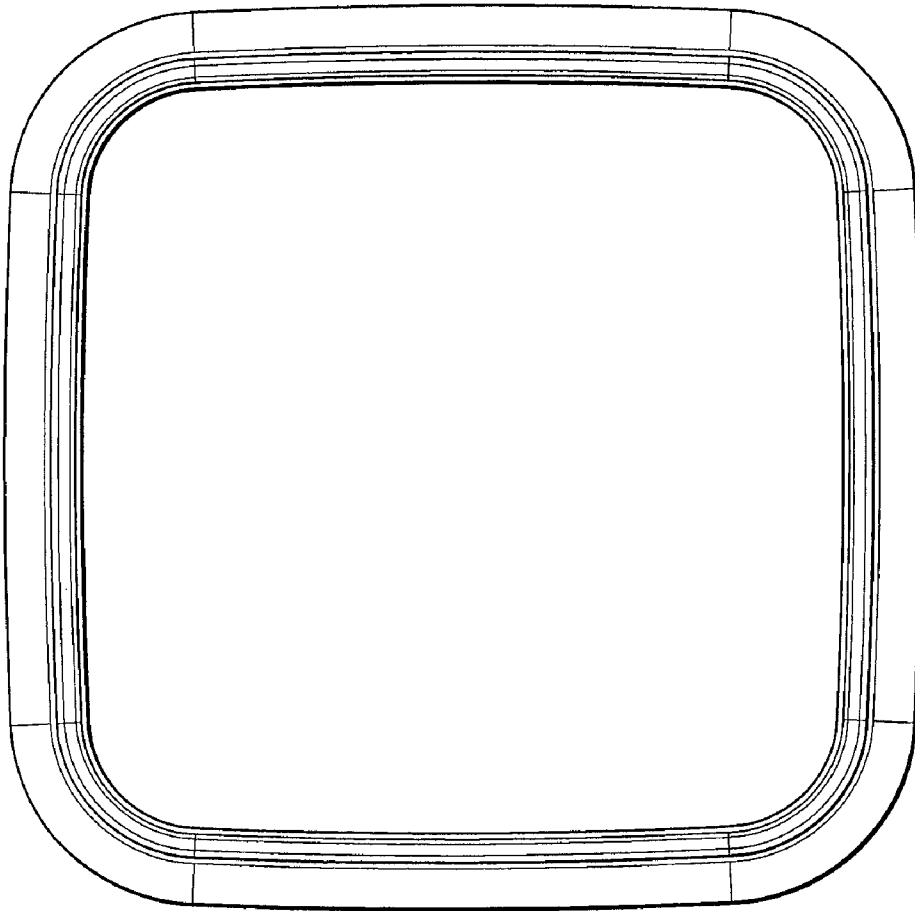
*Fig. 12*



*Fig. 13*



*Fig. 14*



*Fig. 15*