



US00D927180S

(12) **United States Design Patent**
Lopez

(10) **Patent No.:** **US D927,180 S**

(45) **Date of Patent:** **** Aug. 10, 2021**

- (54) **GLASSES CASE WITH A CLIP**
- (71) Applicant: **Oscar Lopez**, San Juan, TX (US)
- (72) Inventor: **Oscar Lopez**, San Juan, TX (US)
- (**) Term: **15 Years**
- (21) Appl. No.: **29/700,342**
- (22) Filed: **Aug. 1, 2019**
- (51) **LOC (13) Cl.** **03-01**
- (52) **U.S. Cl.**
USPC **D3/265**
- (58) **Field of Classification Search**
USPC D3/207, 215, 219, 229, 263–266, 301;
D12/417; D16/330, 339; 24/3.3, 3.7,
24/3.8, 563; 206/5, 5.1, 6; 248/902;
351/112, 155
CPC A45C 11/04; A45C 11/005; A47F 7/02;
A47F 7/021
See application file for complete search history.

D96,588 S *	8/1935	Carson	D3/265
D96,589 S *	8/1935	Carson	D3/265
2,102,218 A *	12/1937	Rakauskas	A45F 5/022
				24/3.8
D110,442 S *	7/1938	Pratt	D3/265
2,330,152 A *	9/1943	Spence	A45C 11/04
				40/651
2,332,266 A *	10/1943	Segal	A45C 11/043
				206/6
D151,477 S *	10/1948	Swikart	D3/265
2,634,018 A *	4/1953	Mageau, Jr.	A45C 11/06
				206/6
D175,537 S *	9/1955	Cambridge	D3/265
D186,135 S *	9/1959	Watkins	D3/265

(Continued)

Primary Examiner — T Chase Nelson

(74) *Attorney, Agent, or Firm* — Boudwin Intellectual Property; Daniel Boudwin

(57) **CLAIM**

The ornamental design for a glasses case with a clip, as shown and described.

DESCRIPTION

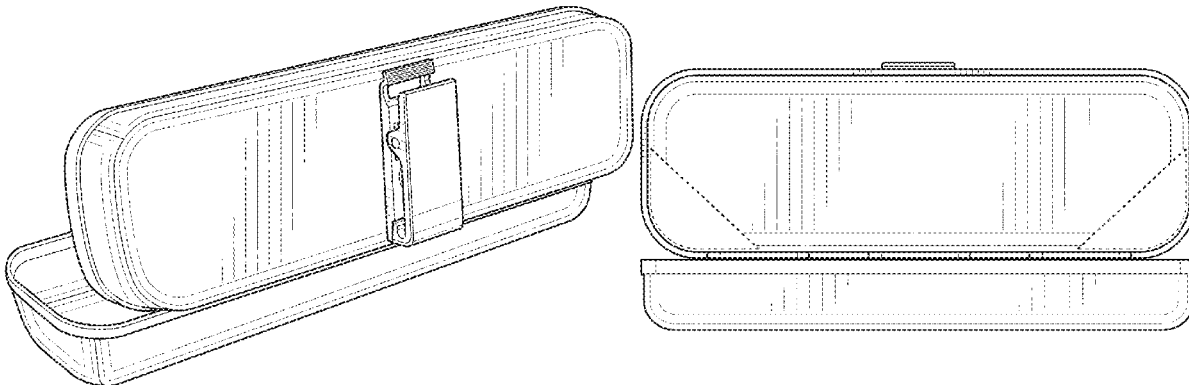
FIG. 1 shows a perspective view of a glasses case with a clip. FIG. 2 shows a rear view of the glasses case with a clip. FIG. 3 shows a front view of the glasses case with a clip. FIG. 4 shows a right side view of the glasses case with a clip. FIG. 5 shows a left side view of the glasses case with a clip. FIG. 6 shows a top plan view of the glasses case with a clip; and, FIG. 7 shows a bottom plan view of the glasses case with a clip. The shade lines in the Figures show contour and not surface ornamentation. The broken lines in the Figures show portions of the glasses case with a clip that form no part of the claimed design.

1 Claim, 4 Drawing Sheets

(56) **References Cited**

U.S. PATENT DOCUMENTS

D25,638 S *	6/1896	Casey et al.	D3/265
D27,622 S *	9/1897	Zoerb	D3/265
D31,070 S *	6/1899	Zoerb	D3/265
D31,351 S *	8/1899	Guyer	D3/265
663,647 A *	12/1900	Wells	A45C 11/04
				206/6
D34,056 S *	2/1901	Zoerb	D3/265
D49,217 S *	6/1916	King	D3/265
1,473,359 A *	11/1923	Schumacher	A45C 11/04
				206/6
1,513,776 A *	11/1924	Wells	A45C 13/34
				206/6
1,748,430 A *	2/1930	Stringham	A45F 5/022
				24/3.8
D93,249 S *	9/1934	Splaine	D3/265



US D927,180 S

Page 2

(56)

References Cited

U.S. PATENT DOCUMENTS

3,148,812	A	9/1964	Hilsinger						
D205,421	S *	8/1966	Hueber	D3/265					
3,323,638	A *	6/1967	Dishart	A45C 11/04					
				132/75					
3,977,516	A *	8/1976	Tilve	A45C 11/04					
				206/5					
3,994,391	A	11/1976	Holland						
D259,596	S *	6/1981	Gray	D3/205					
D262,585	S *	1/1982	Anema	D3/205					
4,452,354	A	6/1984	Tabachnick						
5,123,525	A *	6/1992	Orlowski	A45C 11/04					
				206/5					
D349,811	S *	8/1994	Gibb	D3/266					
D378,018	S *	2/1997	Ouellette	D3/215					
D379,263	S *	5/1997	Sussman	D3/264					
D383,602	S *	9/1997	Theodosakis	D3/263					
D400,009	S *	10/1998	Conway	D3/265					
D401,060	S *	11/1998	Delle Donne	D3/264					
D414,036	S *	9/1999	Conway	D3/263					
D417,541	S *	12/1999	Conway	D3/263					
D418,297	S *	1/2000	Budert	D3/286					
6,026,950	A *	2/2000	Wisniewski	A45C 11/04					
				206/6					
D427,432	S *	7/2000	Au	D3/263					
D430,393	S *	9/2000	Conway	D3/203.3					
D430,727	S *	9/2000	Wisniewski	D3/201					
D432,784	S *	10/2000	Conway	D3/203.5					
D439,738	S *	4/2001	McCormack	D3/263					
D441,953	S *	5/2001	Ben Moshe	D3/263					
6,321,958	B1	11/2001	Erdmann						
D451,674	S *	12/2001	Leins	D3/206					
D453,993	S *	3/2002	Diltoer	D3/263					
6,415,915	B1 *	7/2002	Grossman	A45C 11/04					
				206/45.23					
D462,837	S *	9/2002	Lin	A45C 11/04					
				D3/263					
D472,377	S *	4/2003	Tabacchi	A45C 11/04					
				D3/263					
D484,693	S *	1/2004	Au	D3/265					
D544,205	S *	6/2007	Fai Au	D3/265					
D546,060	S *	7/2007	Fai Au	D3/265					
D547,548	S *	7/2007	Au	D3/265					
D566,389	S *	4/2008	Conway	D3/266					
D685,986	S *	7/2013	Lazott	D3/215					
D699,945	S *	2/2014	Iacchetti	D3/265					
D709,694	S *	7/2014	Cafiero	D3/266					
D712,144	S *	9/2014	Albanese	D3/301					
D716,549	S *	11/2014	Porter	A45C 11/04					
				D3/266					
8,881,893	B1 *	11/2014	Cheng	A45C 11/04					
				206/6					
D731,178	S *	6/2015	Gorouvein	A45C 11/34					
				D3/265					
D740,018	S *	10/2015	Zhang	A45C 11/043					
				D3/201					
D771,371	S *	11/2016	Taylor	A45C 11/04					
				D3/215					
D785,936	S *	5/2017	Uche	A45C 11/04					
				D3/266					
D794,329	S *	8/2017	Knox	A45C 11/04					
				D3/266					
D809,292	S *	2/2018	Mason	A45C 11/043					
				D3/265					
D810,431	S *	2/2018	Kim	A45C 11/06					
				D3/266					
D814,186	S *	4/2018	Spiegel	A45C 11/04					
				D3/265					
D822,996	S *	7/2018	Ehara	A45C 11/04					
				D3/301					
D829,001	S *	9/2018	Kubal	H02J 7/0045					
				D3/265					
D857,391	S *	8/2019	Coleman	A45C 11/04					
				D3/301					
D877,505	S *	3/2020	Hanover	F16B 21/086					
				D3/265					
2001/0004053	A1 *	6/2001	Taormina	A45C 11/043					
				206/6					
2002/0096439	A1 *	7/2002	Lin	A45C 11/34					
				206/6					
2003/0173234	A1 *	9/2003	Lin	A45C 11/04					
				206/5					
2003/0178324	A1 *	9/2003	Watson	A45C 11/04					
				206/6					
2005/0146676	A1	7/2005	Silvestro						
2005/0194267	A1 *	9/2005	Lam	A45C 11/24					
				206/5					
2006/0164595	A1 *	7/2006	Karasik	B60R 7/05					
				351/158					
2008/0083627	A1 *	4/2008	Hamm	A45C 11/04					
				206/6					
2009/0045079	A1 *	2/2009	Au	B65D 43/20					
				206/5					
2009/0089984	A1	4/2009	Warren et al.						
2010/0096280	A1 *	4/2010	Breitt	A45C 11/04					
				206/6					
2010/0294675	A1 *	11/2010	Mangano	A45C 11/04					
				206/5					
2012/0144629	A1 *	6/2012	Wang	F16B 21/086					
				24/459					
2014/0361132	A1 *	12/2014	Busby	A45C 11/04					
				248/213.2					
2016/0021999	A1 *	1/2016	Harada	A45C 11/04					
				206/5					
2016/0166027	A1 *	6/2016	Godart	A45C 13/007					
				224/576					
2020/0383441	A1 *	12/2020	Kan	H02J 7/0045					

* cited by examiner

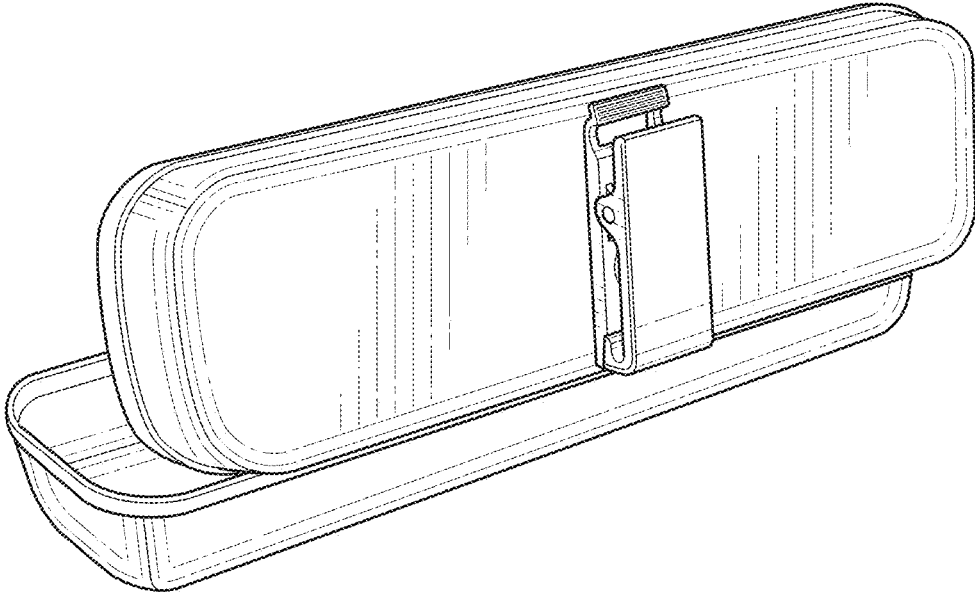


FIG. 1

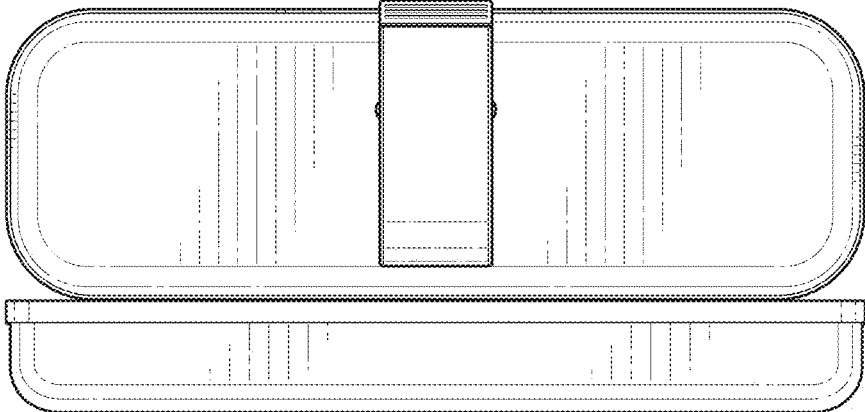


FIG. 2

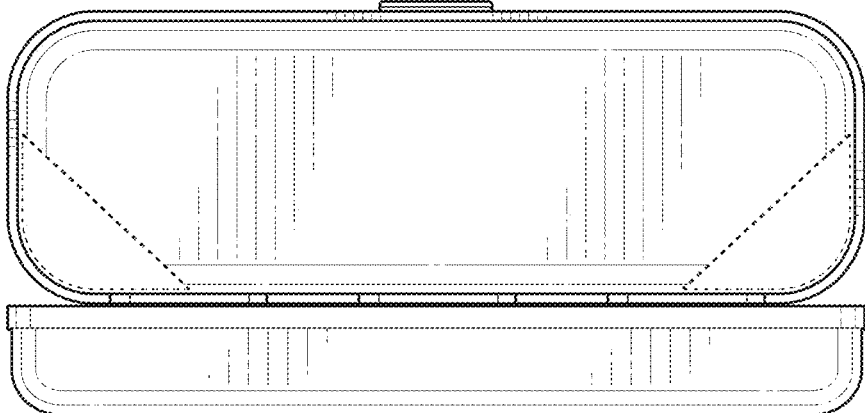


FIG. 3

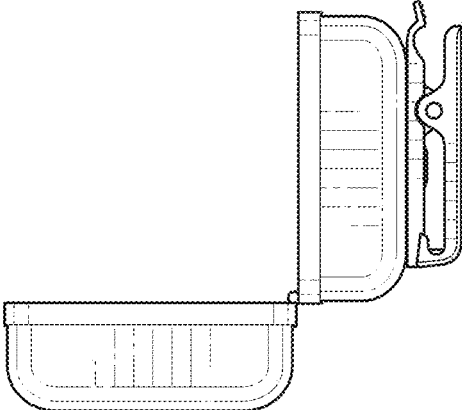


FIG. 4

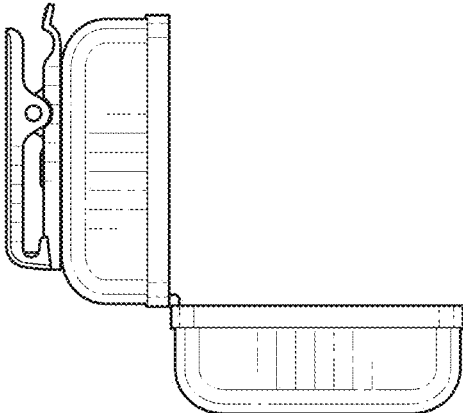


FIG. 5

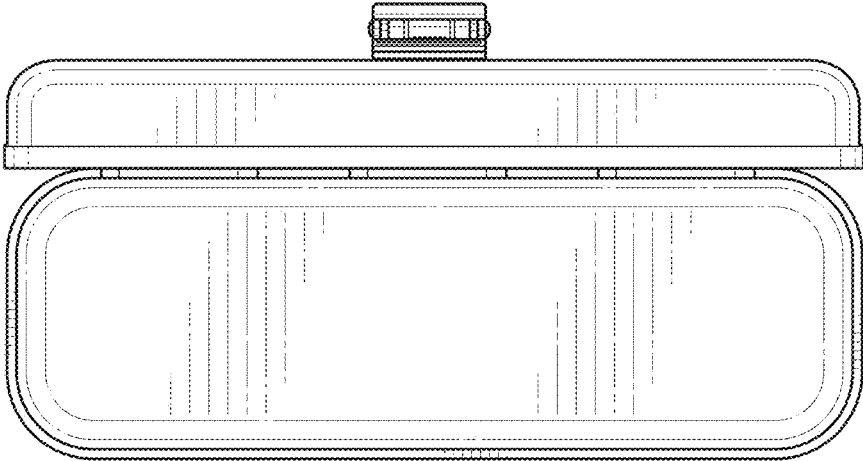


FIG. 6

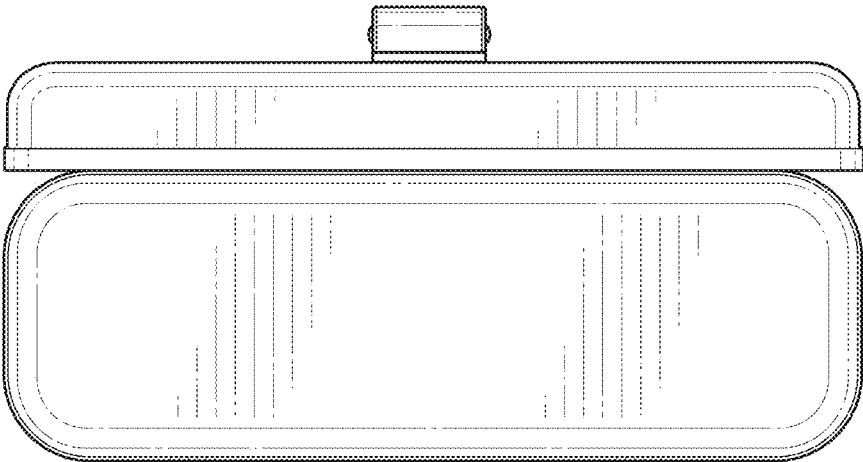


FIG. 7