



US00D877440S

(12) **United States Design Patent**
DeGuzman

(10) **Patent No.:** **US D877,440 S**
(45) **Date of Patent:** **** Mar. 3, 2020**

- (54) **HEADGEAR SUPPORT DEVICE**
- (71) Applicant: **Rex DeGuzman**, Conroe, TX (US)
- (72) Inventor: **Rex DeGuzman**, Conroe, TX (US)
- (**) Term: **15 Years**
- (21) Appl. No.: **29/658,160**
- (22) Filed: **Jul. 28, 2018**
- (51) **LOC (12) Cl.** **07-05**
- (52) **U.S. Cl.**
USPC **D32/59; D14/432**
- (58) **Field of Classification Search**
USPC D32/59; D6/411, 315; D2/892, 181.4,
D2/891; 2/181, 171.3, 175.1, 209.12,
2/195.5; 34/87, 213, 201
See application file for complete search history.

7,966,673 B1 *	6/2011	Gibson	A42B 1/08
				2/410
7,974,432 B1 *	7/2011	Ryan	A42B 1/245
				2/195.1
D657,104 S *	4/2012	Levin	D32/59
D660,555 S *	5/2012	Stoltz	D2/892
8,205,272 B2 *	6/2012	Green	A42C 5/02
				2/209.13
D689,671 S *	9/2013	Porti	D2/891
D696,498 S *	12/2013	Padgett	D2/891
D770,147 S *	11/2016	Byrd	D2/891
2015/0335085 A1 *	11/2015	Williams	A42B 1/002
				2/195.5

* cited by examiner

Primary Examiner — Austin Murphy
(74) *Attorney, Agent, or Firm* — Karen B. Tripp

(57) **CLAIM**

The ornamental design for a headgear support device, as shown.

(56) **References Cited**

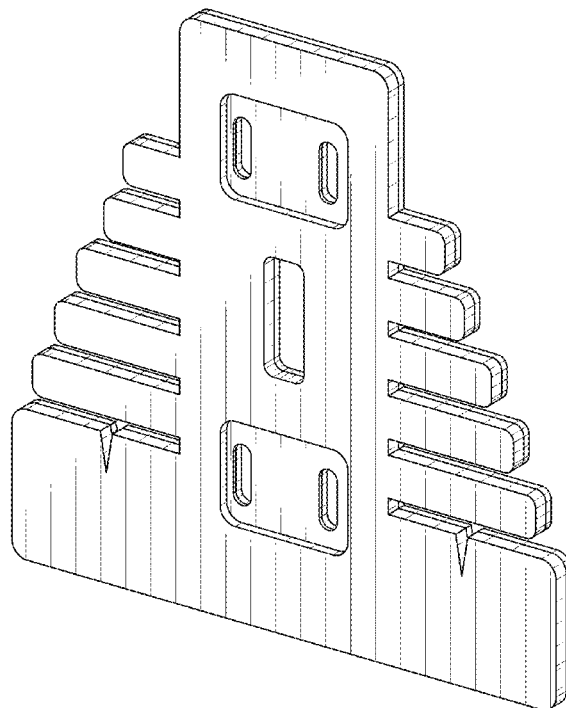
U.S. PATENT DOCUMENTS

1,392,409 A *	10/1921	Fullenwider	A42B 1/24
				131/257
2,740,567 A *	4/1956	Kaufman	A42B 1/002
				223/84
5,481,760 A *	1/1996	Wood, Jr.	A42B 1/061
				2/181.4
5,548,846 A *	8/1996	Bianchetti	A42B 1/064
				2/10
5,724,678 A *	3/1998	McCallum	A42B 1/241
				2/209.13
D621,099 S *	8/2010	Johnson	D29/122
D640,422 S *	6/2011	Green	D29/122
7,958,570 B1 *	6/2011	Mooney	A42B 1/069
				2/195.5

DESCRIPTION

FIG. 1 is a front perspective view of a support device showing my new design;
FIG. 2 is a front view thereof;
FIG. 3 is a back view thereof;
FIG. 4 is a left side view thereof;
FIG. 5 is a right side view thereof;
FIG. 6 is a top view thereof;
FIG. 7 is a bottom view thereof; and,
FIG. 8 is another perspective view thereof.
The headgear shown in broken lines is for illustrative purposes only and forms no part of the claimed design.

1 Claim, 6 Drawing Sheets



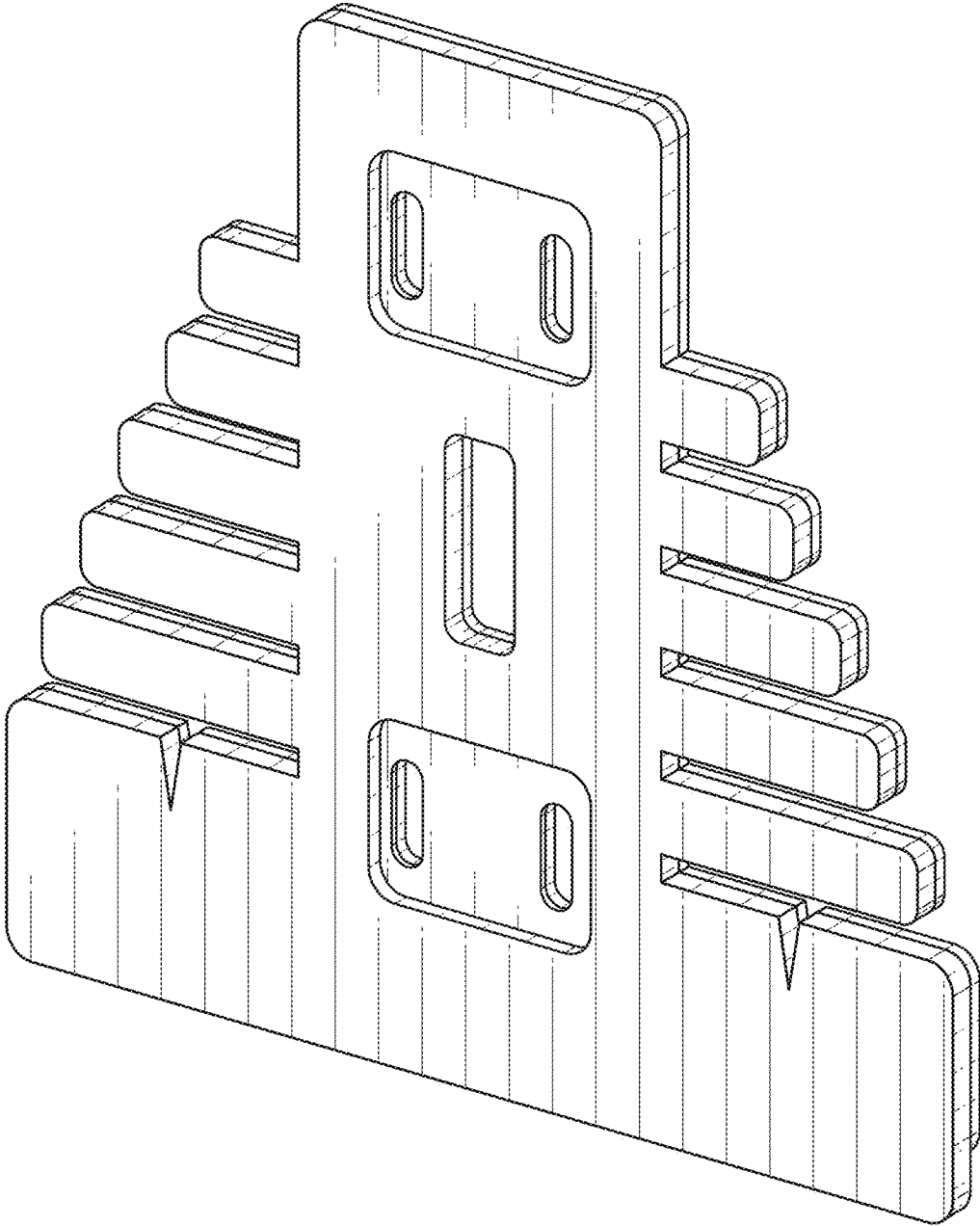


FIG. 1

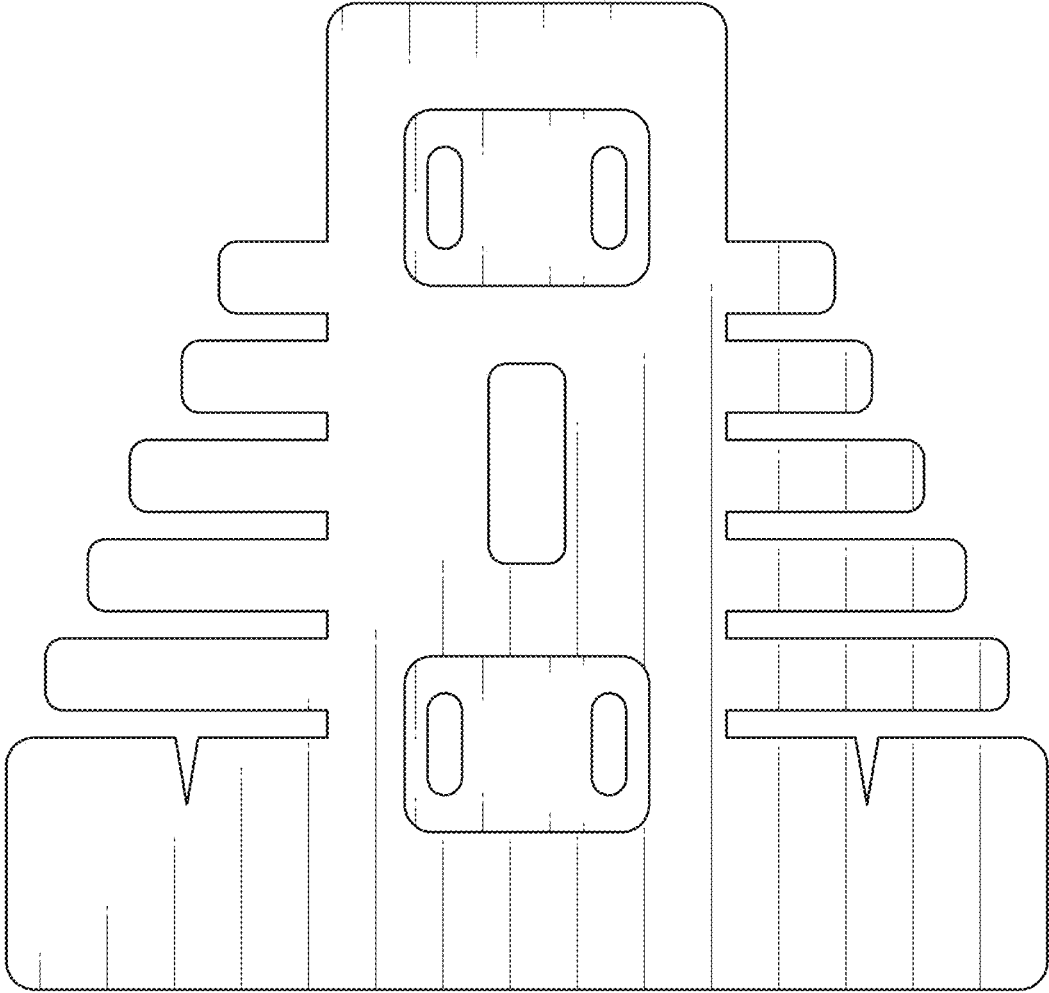


FIG. 2

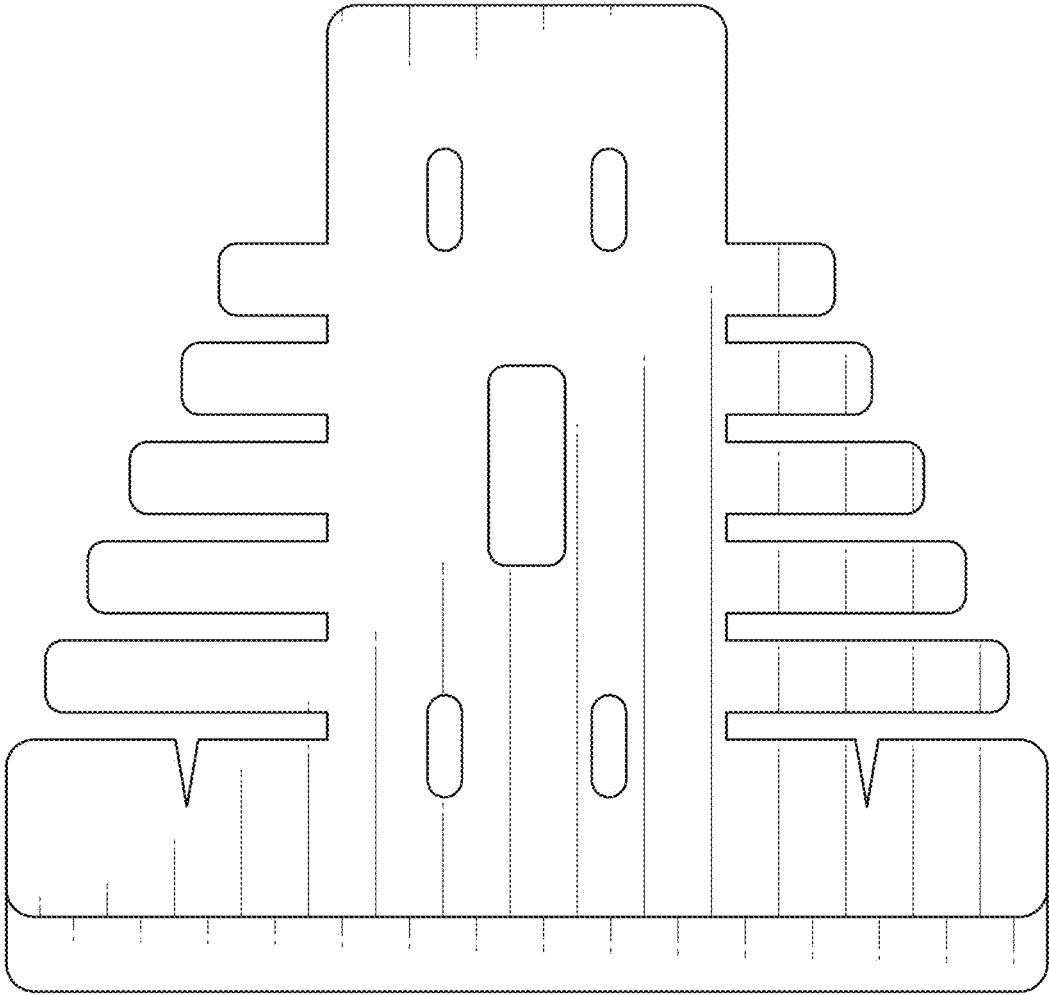


FIG. 3



FIG. 4



FIG. 5

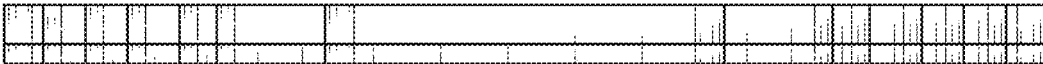


FIG. 6

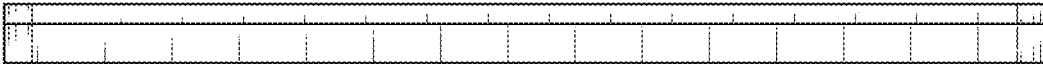


FIG. 7

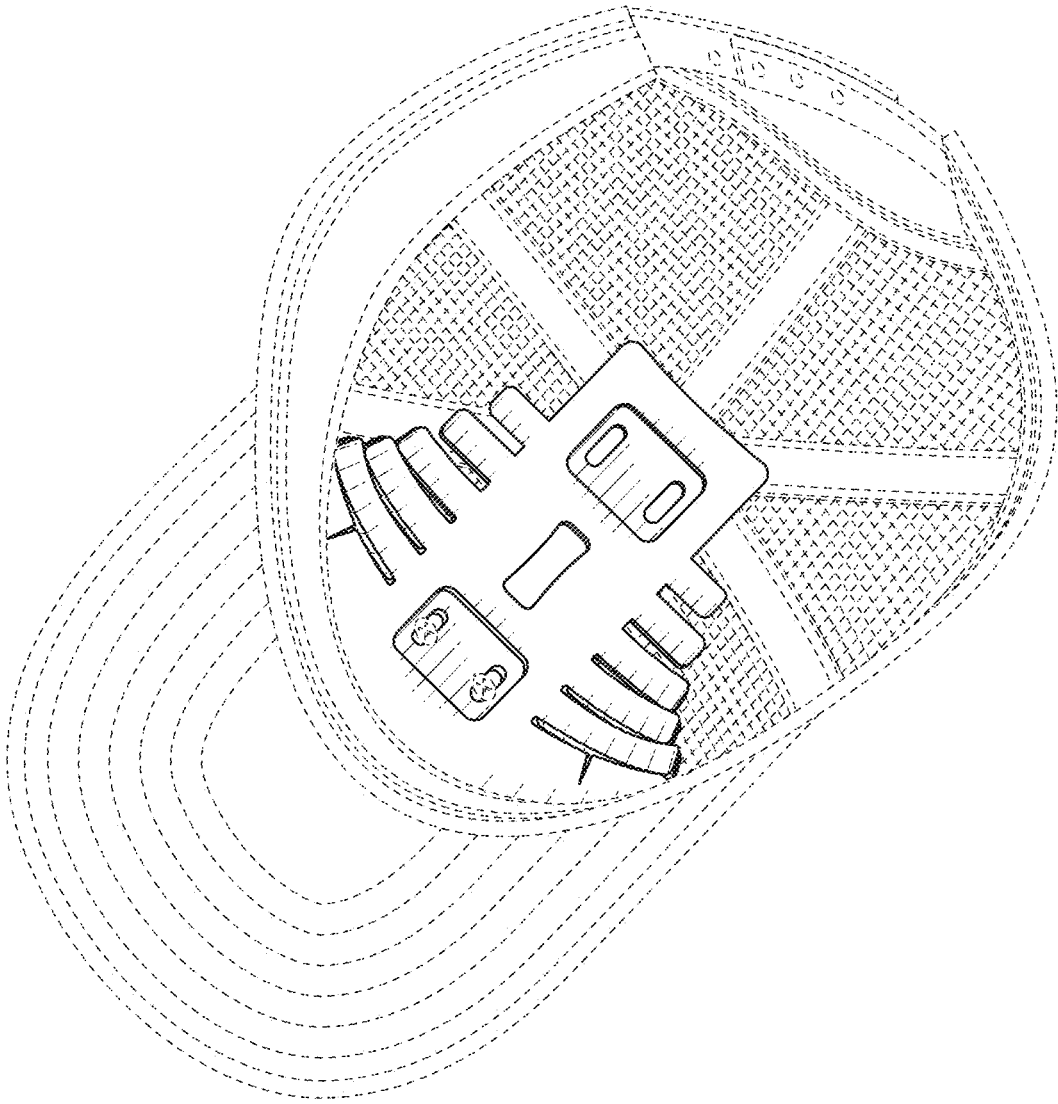


FIG. 8