



US00D381379S

# United States Patent [19]

[11] Patent Number: **Des. 381,379**

Lee

[45] Date of Patent: **\*\*Jul. 22, 1997**

[54] **FOLDABLE EXERCISER HORSE**

OTHER PUBLICATIONS

[76] Inventor: **Kuo-Ron Lee**, No. 61, Mai Jou II Rd., Yi Lan City, Taiwan

Service Merchandise Catalog, 1996, pp. 502 & 503. Voit Gravity Rider & Weslo Cardio Glide.

[\*\*] Term: **14 Years**

*Primary Examiner*—Philip S. Hyder  
*Attorney, Agent, or Firm*—Varndell Legal Group

[21] Appl. No.: **50,458**

[57] **CLAIM**

[22] Filed: **Feb. 20, 1996**

The ornamental design for a foldable exerciser horse, as shown and described.

[51] **LOC (6) Cl.** ..... **21-02**

[52] **U.S. Cl.** ..... **D21/195**

[58] **Field of Search** ..... D21/191, 192, D21/193, 194, 195; 482/51, 57, 62, 72, 95, 96, 137

**DESCRIPTION**

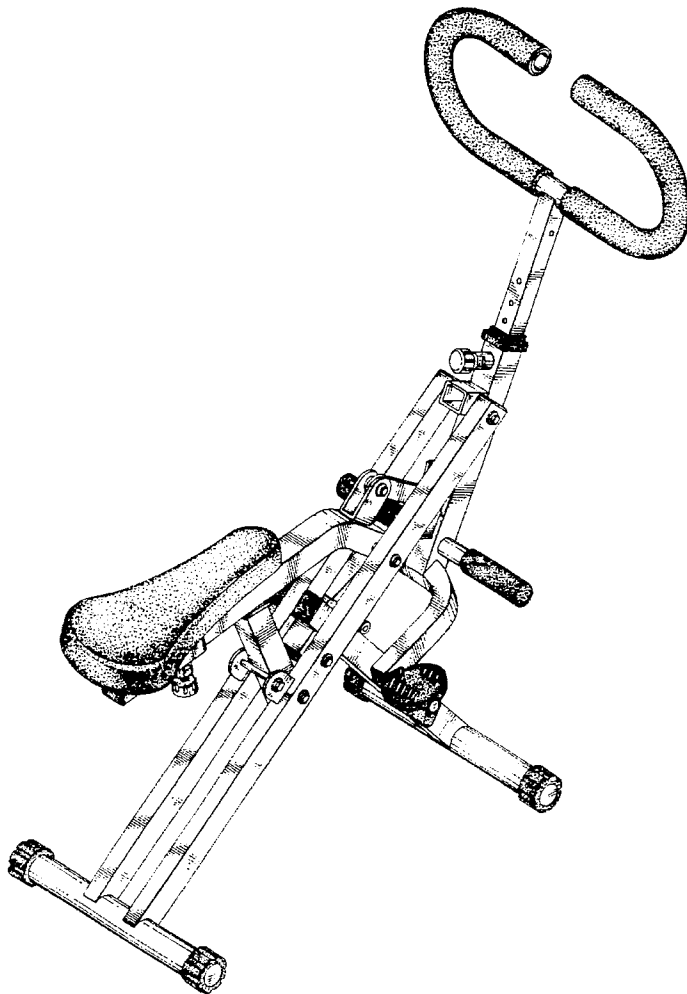
[56] **References Cited**

**FIG. 1** is a perspective view of a foldable exerciser horse showing my new design;  
**FIG. 2** is a front elevational view thereof;  
**FIG. 3** is a left side elevational view thereof;  
**FIG. 4** is a right side elevational view thereof;  
**FIG. 5** is a top plan view thereof;  
**FIG. 6** is a bottom plan view thereof;  
**FIG. 7** is a rear elevational view thereof; and  
**FIG. 8** illustrates the foldable status thereof.

**U.S. PATENT DOCUMENTS**

D. 344,112	2/1994	Smith	.....	D21/195
D. 367,689	3/1996	Wilkinson et al.	.....	D21/195
5,299,997	4/1994	Chen	.....	482/96
5,342,269	8/1994	Huang et al.	.....	482/96
5,366,428	11/1994	Liao	.....	482/72
5,429,568	7/1995	Chen	.....	482/96
5,458,553	10/1995	Wu	.....	482/72
5,478,298	12/1995	Chen	.....	482/95

**1 Claim, 7 Drawing Sheets**



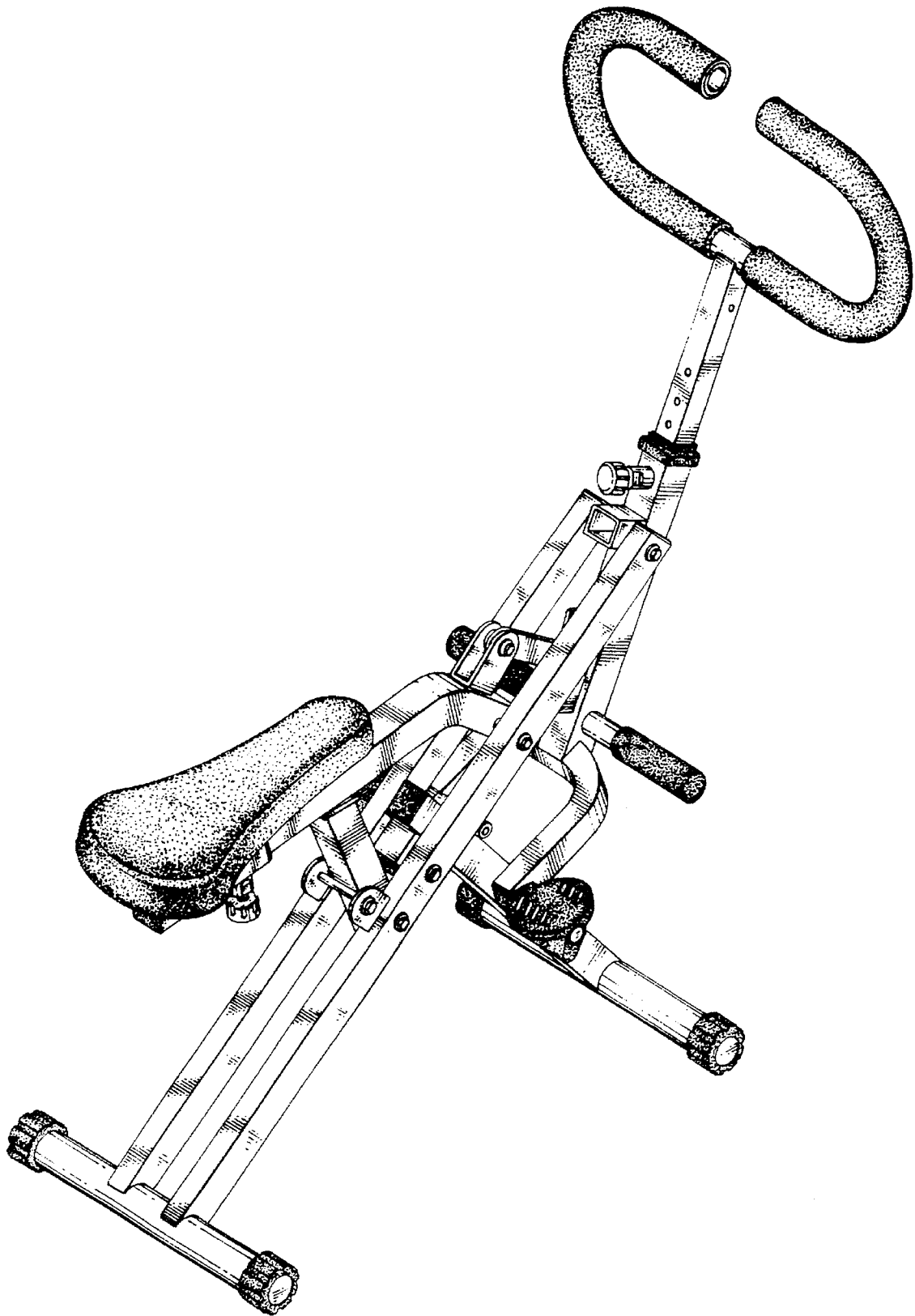


Fig . 1

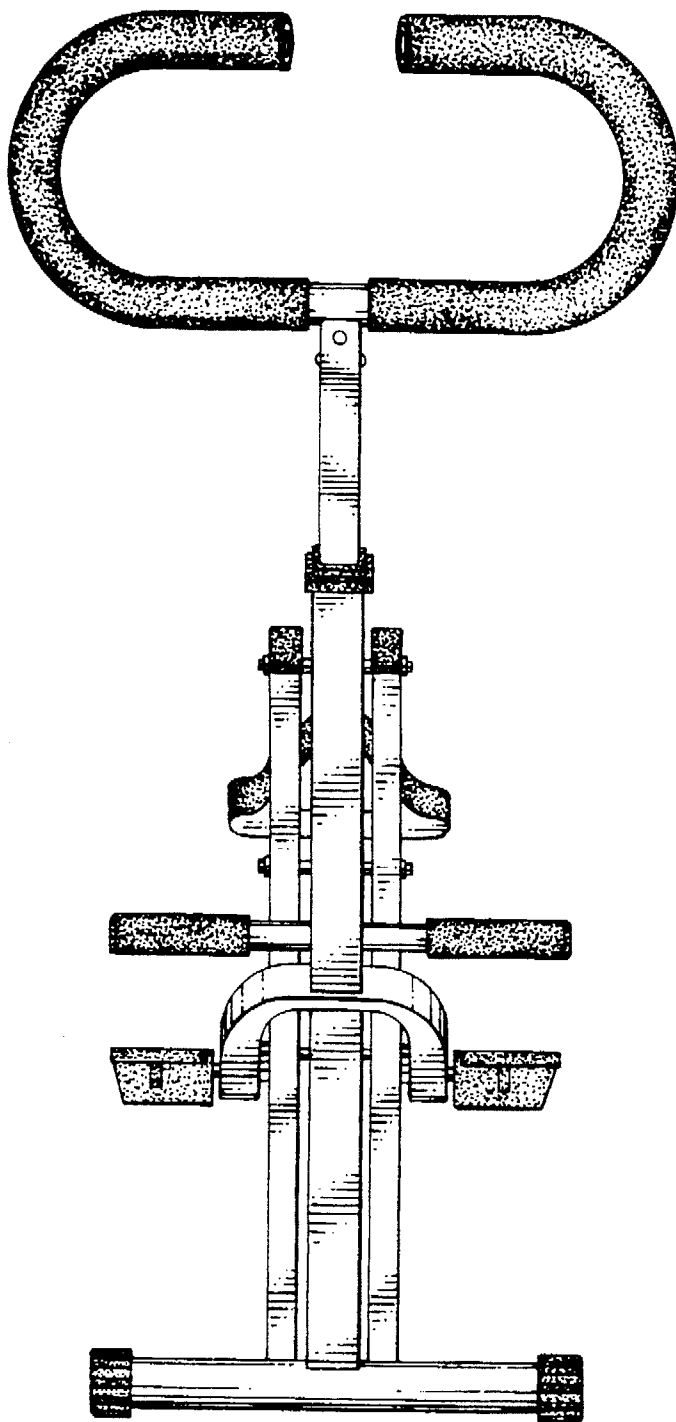


Fig . 2

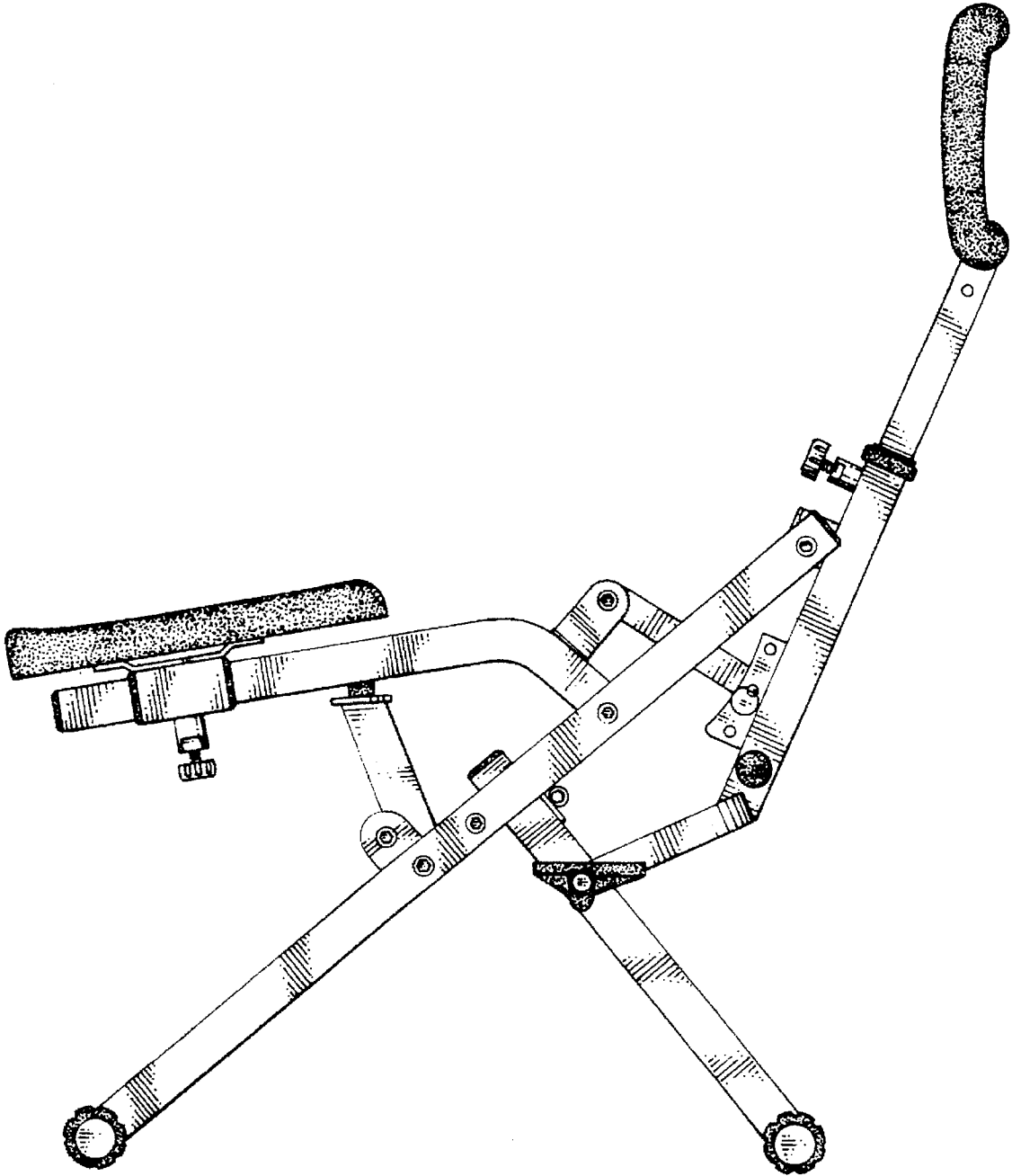


Fig . 3

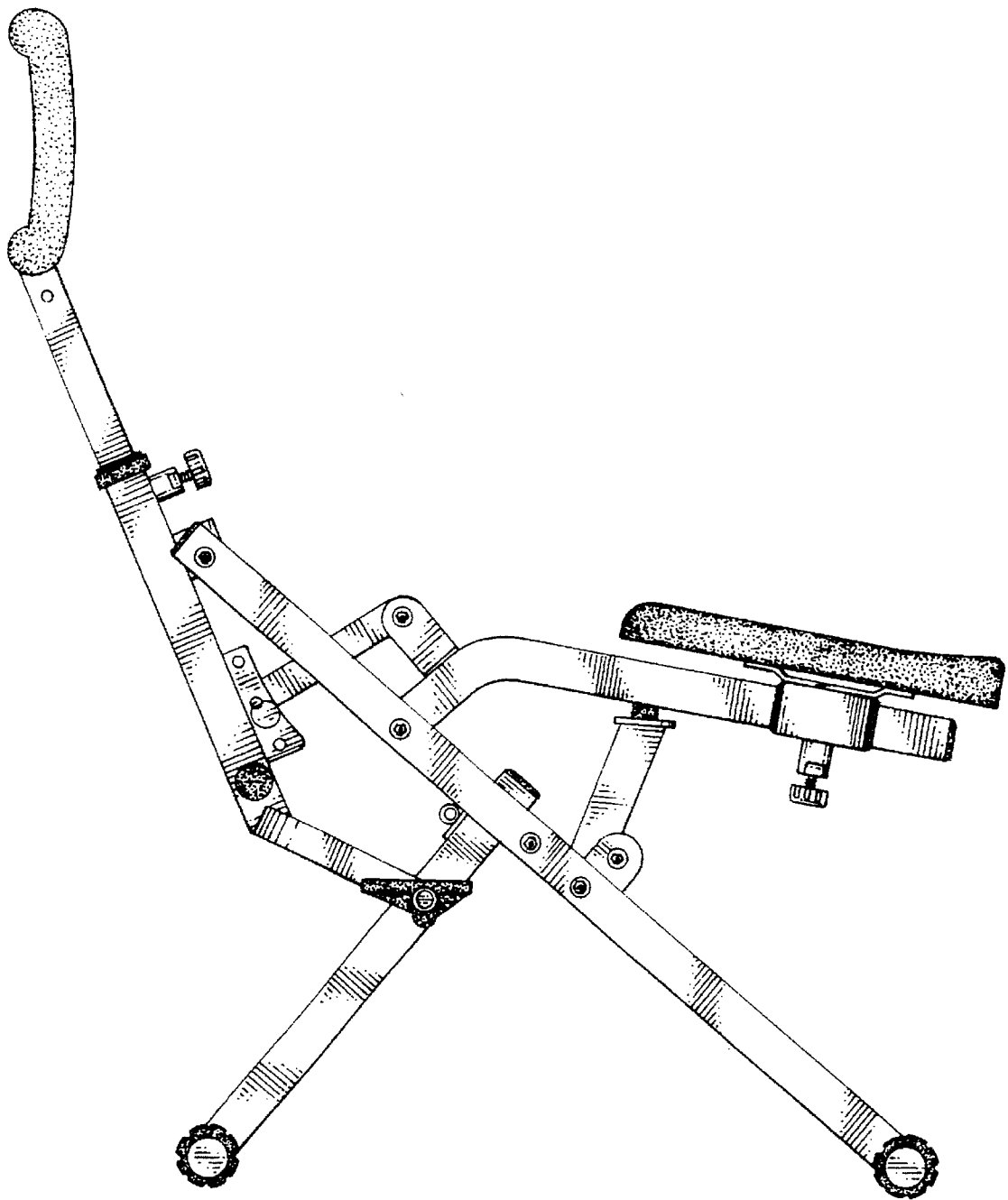


Fig . 4

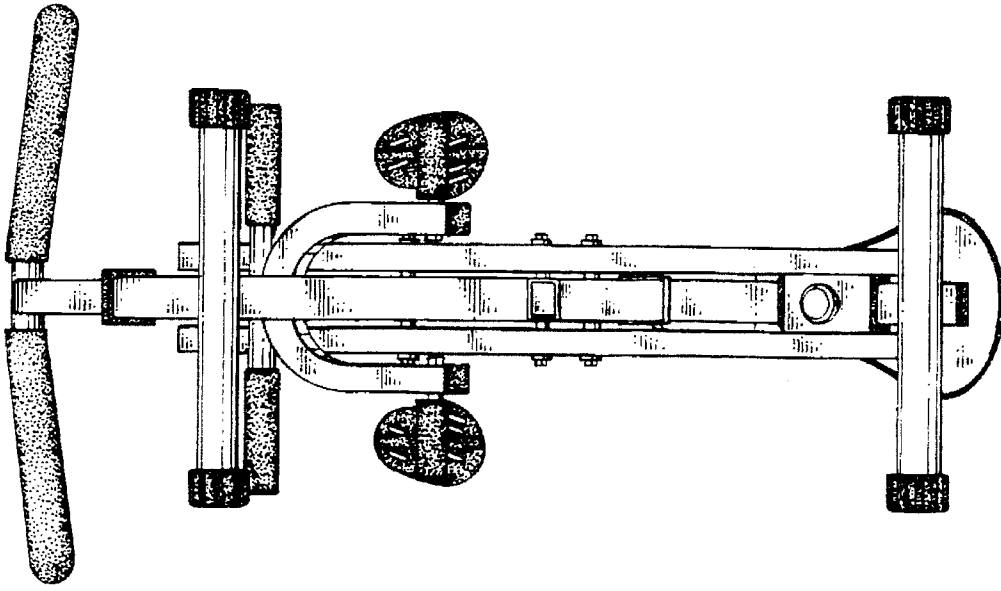


Fig. 5

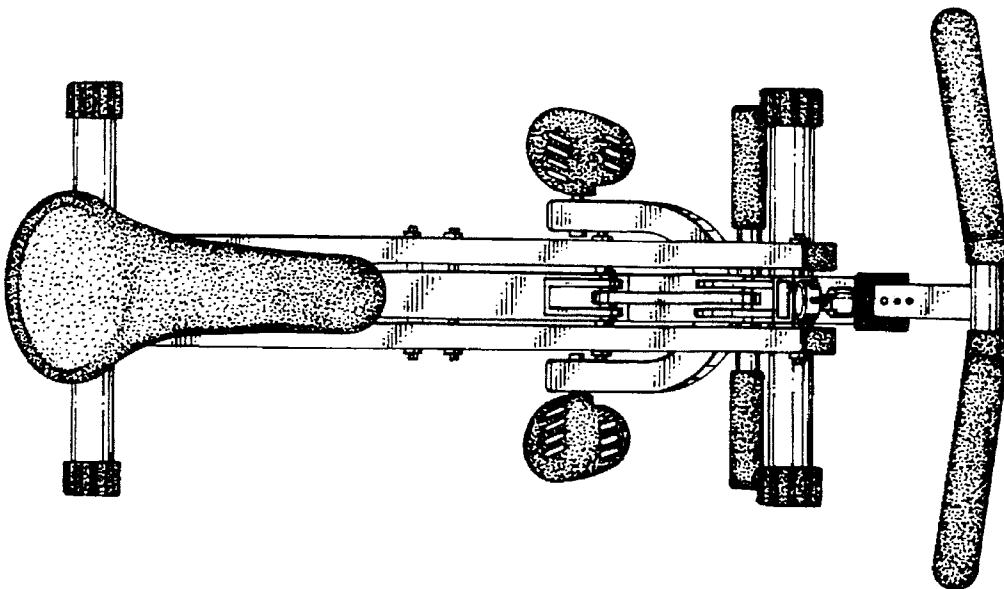


Fig. 6

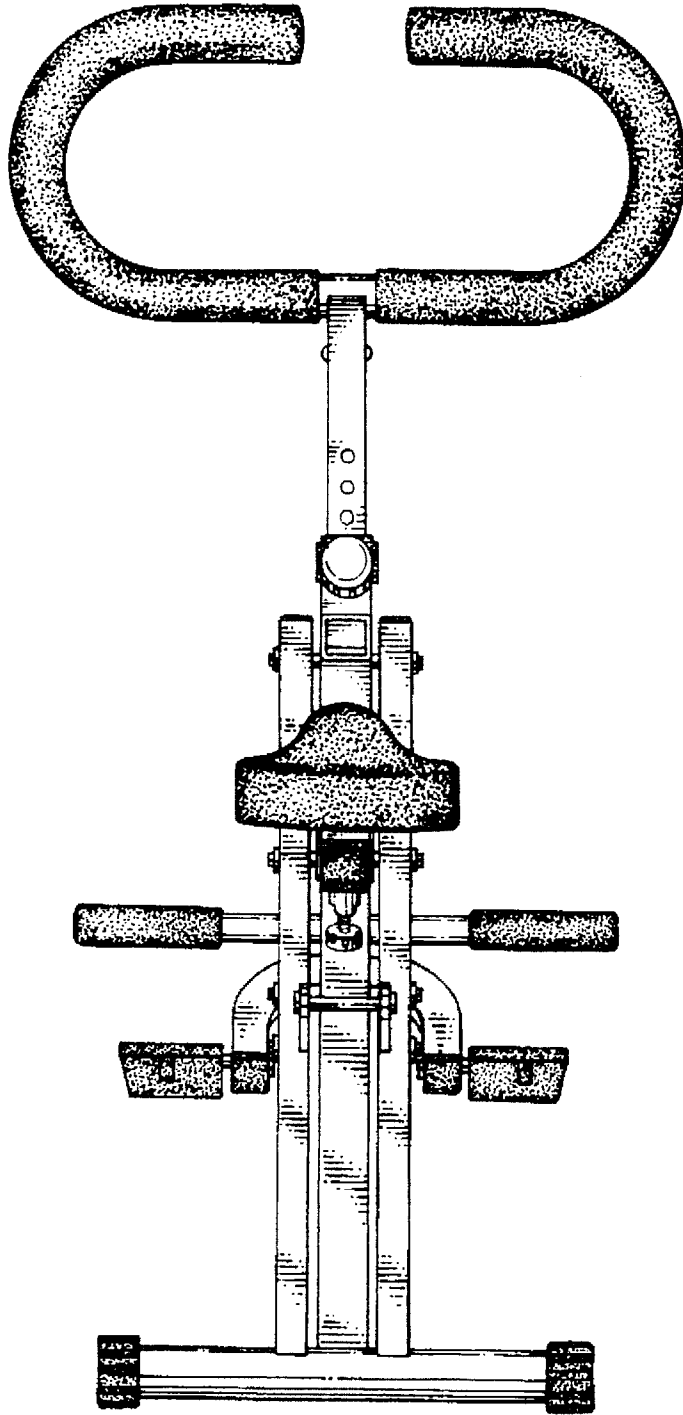


Fig . 7

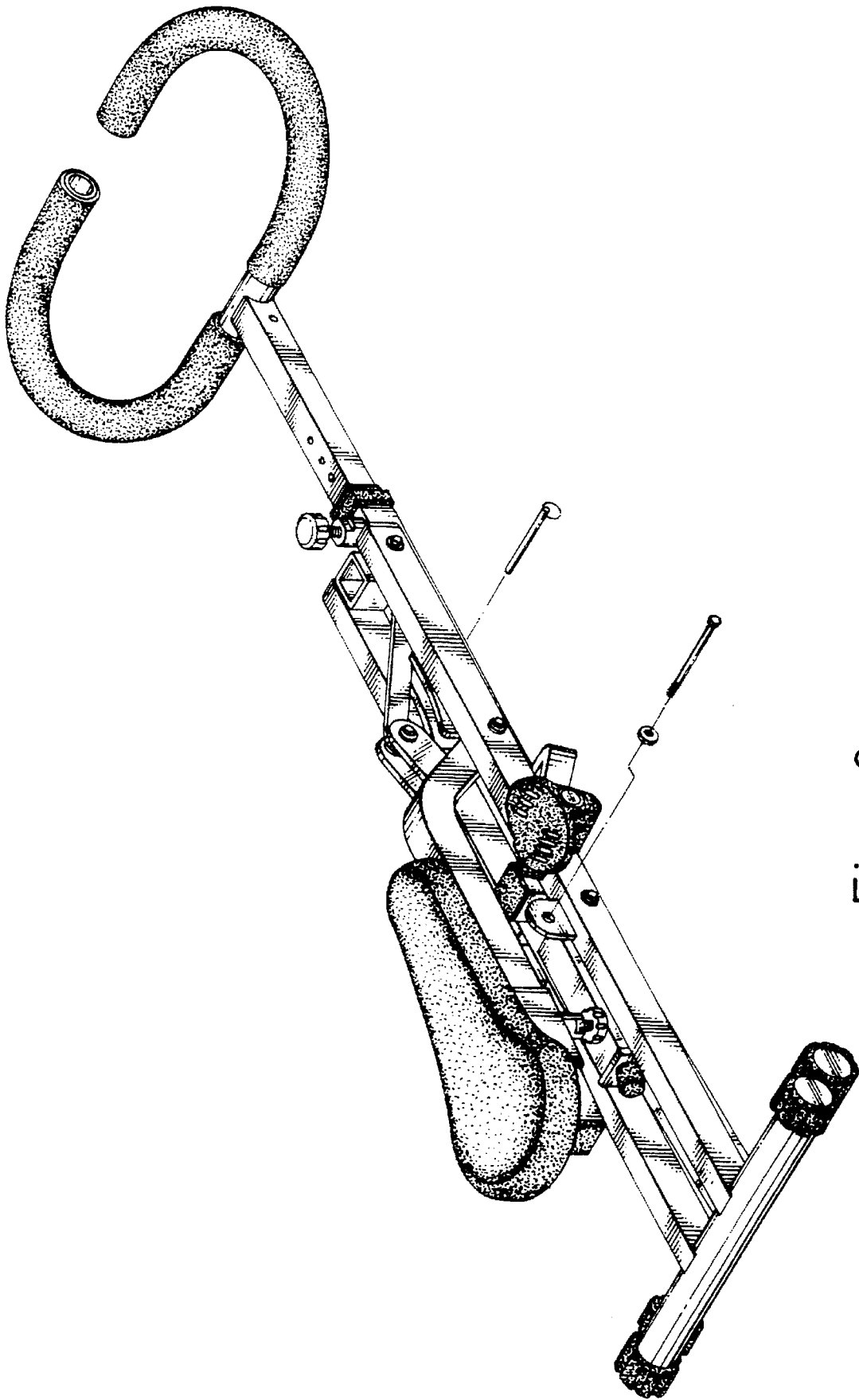


Fig. 8