



US00D751619S

(12) **United States Design Patent**
Jeong et al.

(10) **Patent No.:** **US D751,619 S**

(45) **Date of Patent:** **** Mar. 15, 2016**

(54) **MONITORING CAMERA**

(56) **References Cited**

U.S. PATENT DOCUMENTS

(71) Applicant: **HANWHA TECHWIN CO., LTD.**,
Changwon (KR)

5,153,623	A *	10/1992	Bouvier	396/427
6,268,882	B1 *	7/2001	Elberbaum	348/151
D542,319	S *	5/2007	Ishida et al.	D16/203
D552,650	S *	10/2007	Yamakawa et al.	D16/203
D556,803	S *	12/2007	Ishida	D16/203
D597,117	S *	7/2009	Yamane et al.	D16/203
D609,732	S *	2/2010	Frank et al.	D16/203
D626,984	S *	11/2010	Miyaji	D16/203
D629,439	S *	12/2010	Yoshida	D16/219
8,131,145	B2 *	3/2012	Scheucher	396/278
D673,989	S *	1/2013	Ying et al.	D16/203

(72) Inventors: **Kwang-seok Jeong**, Changwon (KR);
Mun-Jun Park, Changwon (KR)

(73) Assignee: **Hanwha Techwin Co., Ltd.**,
Changwon-si (KR)

* cited by examiner

(**) Term: **14 Years**

Primary Examiner — Adir Aronovich

Assistant Examiner — Ramzi Almatrahi

(21) Appl. No.: **29/440,877**

(74) *Attorney, Agent, or Firm* — Sughrue Mion, PLLC

(22) Filed: **Dec. 28, 2012**

(57) **CLAIM**

The ornamental design for a monitoring camera, as shown and described.

(30) **Foreign Application Priority Data**

Jul. 3, 2012 (KR) 30-2012-0032440

(51) **LOC (10) Cl.** **16-01**

(52) **U.S. Cl.**
USPC **D16/203**

(58) **Field of Classification Search**

USPC D16/200, 202-206, 218, 219, 242;
348/143, 148, 151, 164, 373-376;
396/278, 419, 427, 535, 539-541
CPC G03B 17/02; G03B 19/04; G03B 17/56;
G03B 17/04; G03B 15/03; H04N 5/2251;
H04N 5/2252; H04N 5/2253; H04N 5/2254;
H04N 7/181; H04N 7/183; H04N 7/18;
G08B 13/1963; G08B 13/19619; G08B
13/19632; F16M 11/04; F16M 13/00

See application file for complete search history.

DESCRIPTION

The present design application contains a least one drawing executed in color. Copies of this patent or patent application publication with color drawing(s) will be provided by the Office upon request and payment of the necessary fee.

FIG. 1 is a perspective view of a monitoring camera showing our new design;

FIG. 2 is a front elevation view of the monitoring camera;

FIG. 3 is a rear elevation view of the monitoring camera;

FIG. 4 is a left side elevation view of the monitoring camera;

FIG. 5 is a right side elevation view of the monitoring camera;

FIG. 6 is a top plan view of the monitoring camera; and,

FIG. 7 is a bottom plan view of the monitoring camera.

The broken lines depict portions of the monitoring camera in which the design is embodied, and form no part of the claimed design.

1 Claim, 7 Drawing Sheets

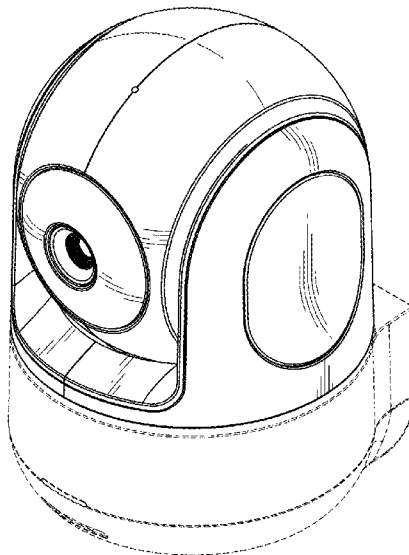


FIG. 1

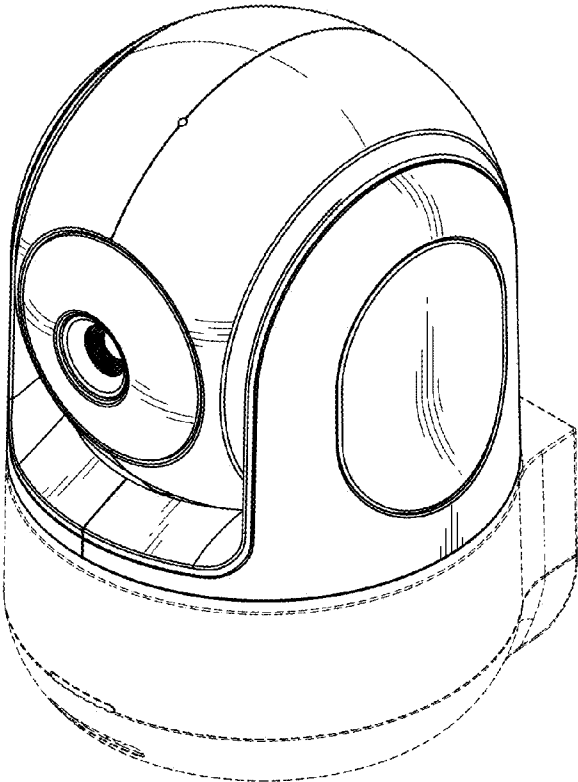


FIG. 2

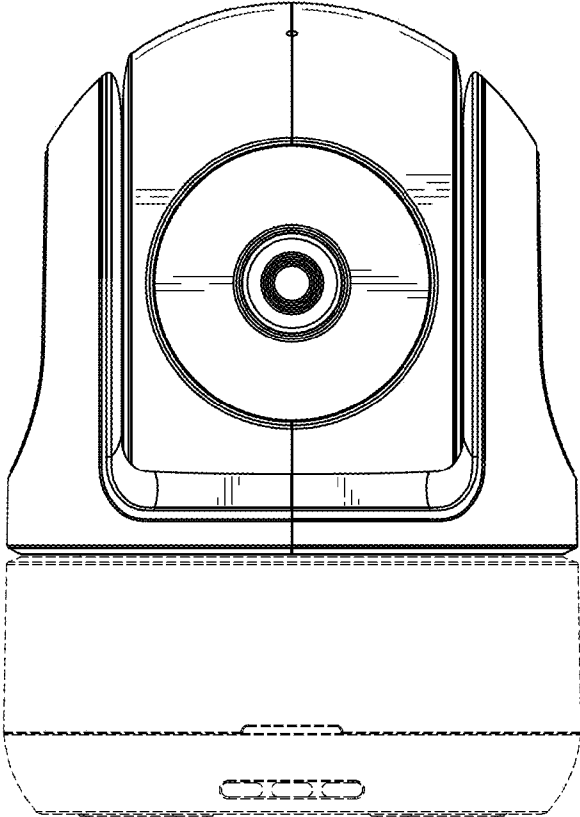


FIG. 3

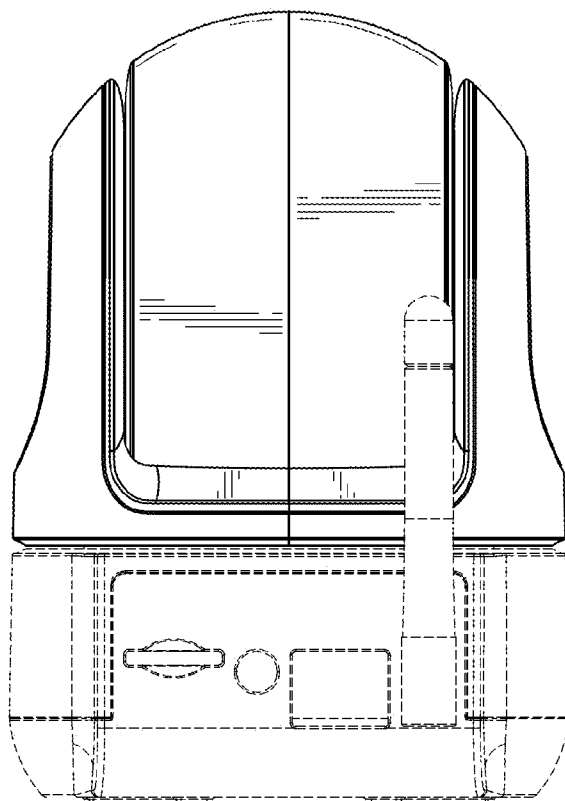


FIG. 4

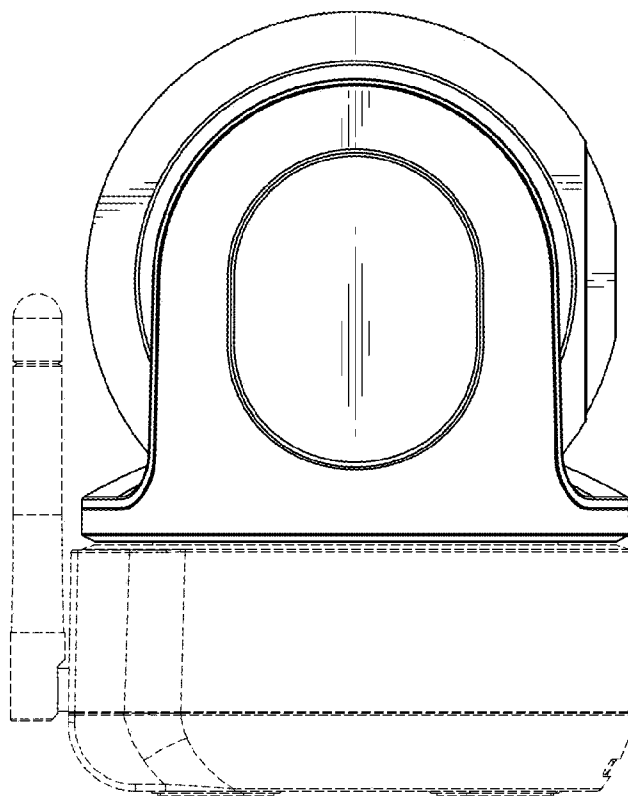


FIG. 5

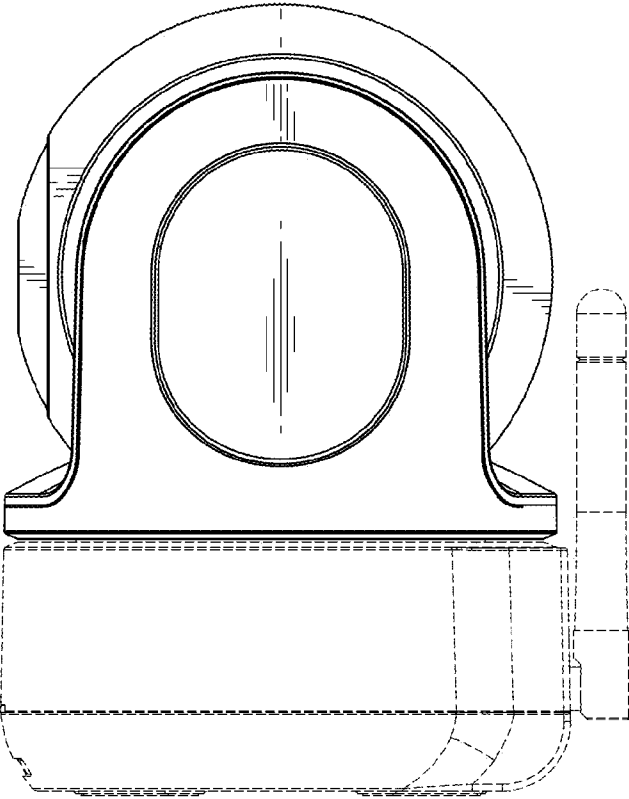


FIG. 6

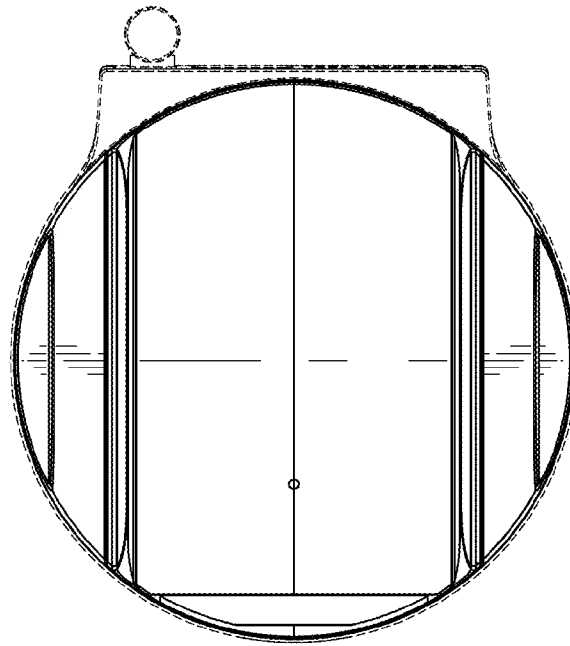


FIG. 7

