



(12) **United States Design Patent**
Kamiyama

(10) **Patent No.:** **US D902,326 S**
(45) **Date of Patent:** **** Nov. 17, 2020**

- (54) **TOY FERRIS WHEEL**
- (71) Applicant: **EPOCH COMPANY, LTD**, Tokyo (JP)
- (72) Inventor: **Kei Kamiyama**, Tokyo (JP)
- (73) Assignee: **EPOCH COMPANY, LTD.**, Tokyo (JP)
- (**) Term: **15 Years**

D552,642 S * 10/2007 Schulman D15/145
 D572,317 S * 7/2008 Lam D21/530
 D587,777 S * 3/2009 Chu D21/829
 D800,862 S * 10/2017 Easler D21/829
 D815,201 S * 4/2018 Larson et al. D19/1

FOREIGN PATENT DOCUMENTS

CN 304869766 * 10/2018

OTHER PUBLICATIONS

AmazonSmile: Sylvanian Families School, Kindergarten Cute Ferris Wheel Set, website 2019, <https://smile.amazon.com/Sylvanian-Families-School-Kindergarten-S-66/dp/B0799KCLC> . . . site visited Dec. 8, 2019.*

* cited by examiner

Primary Examiner — John R Yeh
(74) *Attorney, Agent, or Firm* — Fitzgerald IP Law; John K Fitzgerald, Esq.

- (21) Appl. No.: **29/645,067**
- (22) Filed: **Apr. 23, 2018**

(30) **Foreign Application Priority Data**

Oct. 24, 2017 (JP) 2017-023482

- (51) **LOC (12) CL.** **21-01**
- (52) **U.S. CL.**
USPC **D21/530**

- (58) **Field of Classification Search**
USPC D21/519–522, 523–524, 528, 530, 532,
D21/586, 814, 816, 820, 827, 615, 611,
D21/582, 447, 405, 409; D6/707, 707.22;
D23/272
CPC A47C 31/11; A47C 13/00; A47C 7/62;
A63H 33/3055; A63H 33/30; A63H
33/003; A63H 5/00; A47D 11/00
See application file for complete search history.

(56) **References Cited**

U.S. PATENT DOCUMENTS

D35,331 S * 11/1901 Clark D12/209
 1,867,996 A * 7/1932 Baer D11/121
 D199,744 S * 12/1964 McDonald D21/530
 D205,366 S * 7/1966 Lakin D34/15
 D285,592 S * 9/1986 Kushner D21/248
 D303,692 S * 9/1989 Jones D21/124
 D379,777 S * 6/1997 Segan D11/121
 6,037,679 A * 3/2000 Pirillo 307/125

(57) **CLAIM**

The ornamental design for a toy ferris wheel, as shown and described.

DESCRIPTION

FIG is a front perspective view of a toy ferris wheel showing my new design;
 FIG. 2 is a rear perspective view thereof;
 FIG. 3 is a front view thereof;
 FIG. 4 is a rear view thereof;
 FIG. 5 is a top plan view thereof;
 FIG. 6 is a bottom view thereof;
 FIG. 7 is a left side view thereof; and,
 FIG. 8 is a right side view thereof.
 The broken lines shown are included for the purpose of illustrating portions of the article which form no part of the claimed design.

1 Claim, 8 Drawing Sheets

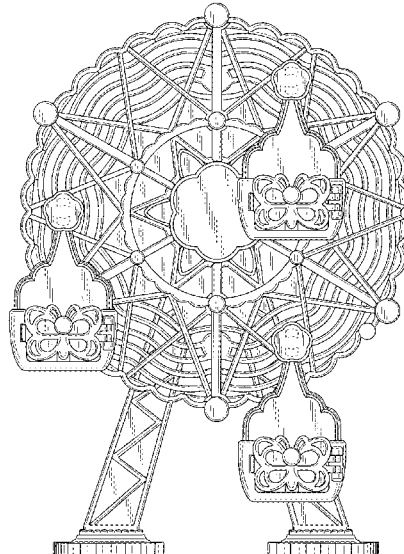


FIG. 1

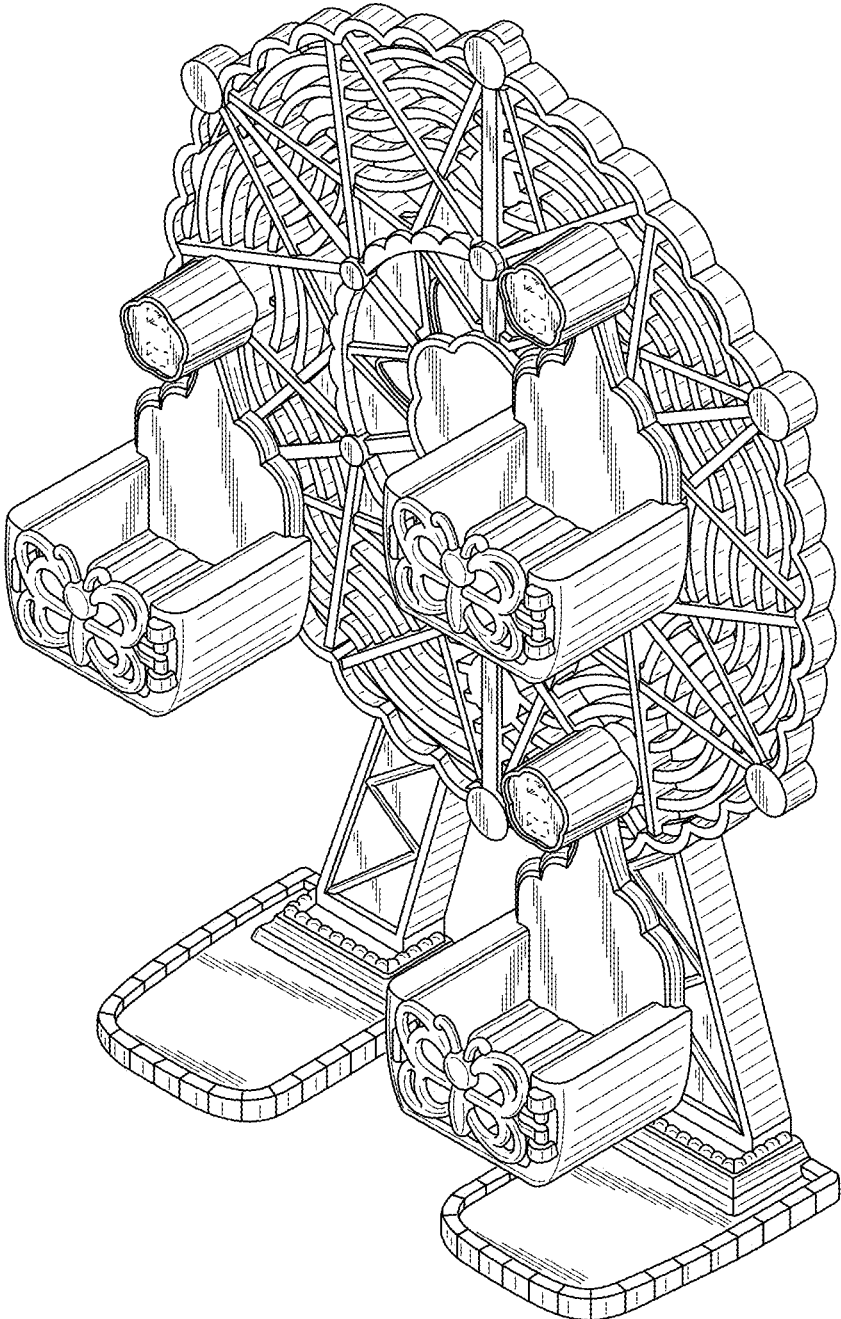


FIG. 2

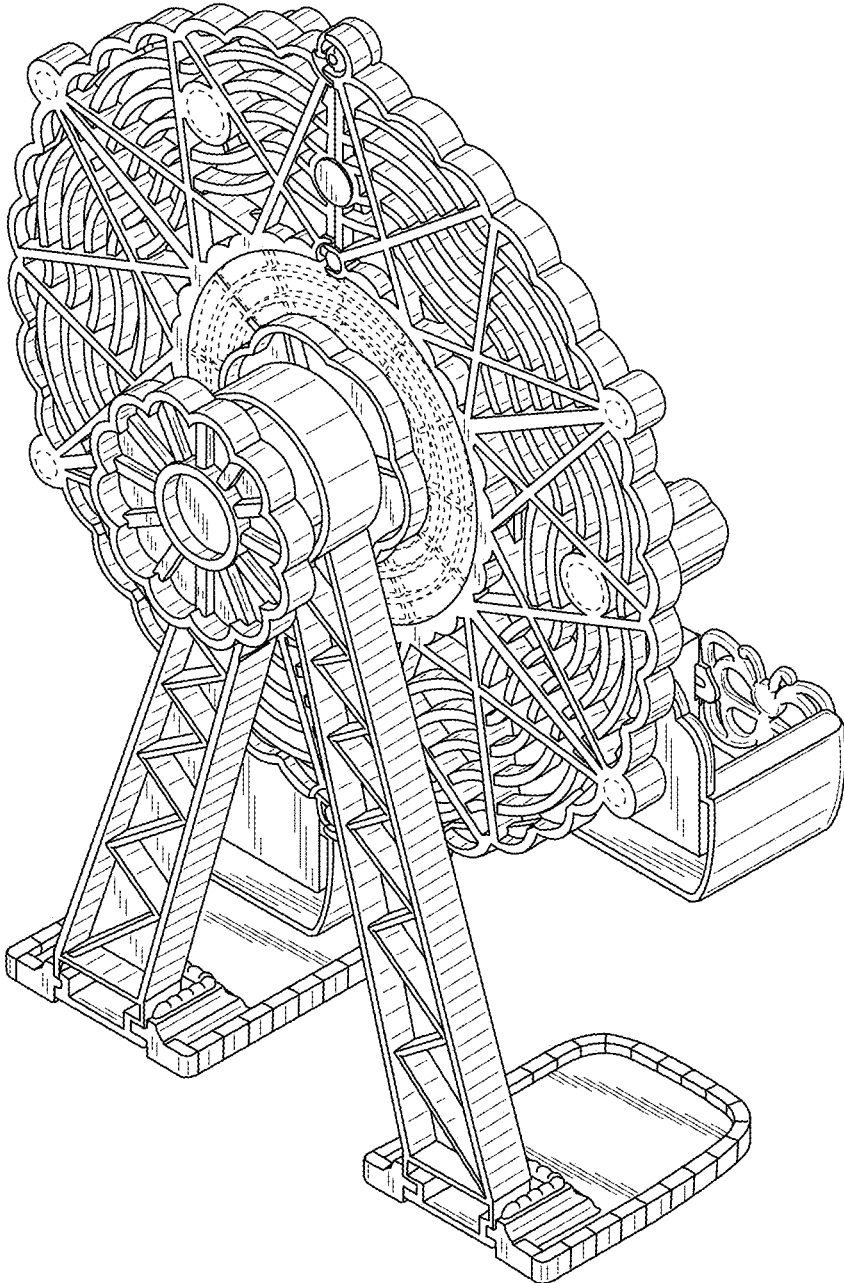


FIG. 3

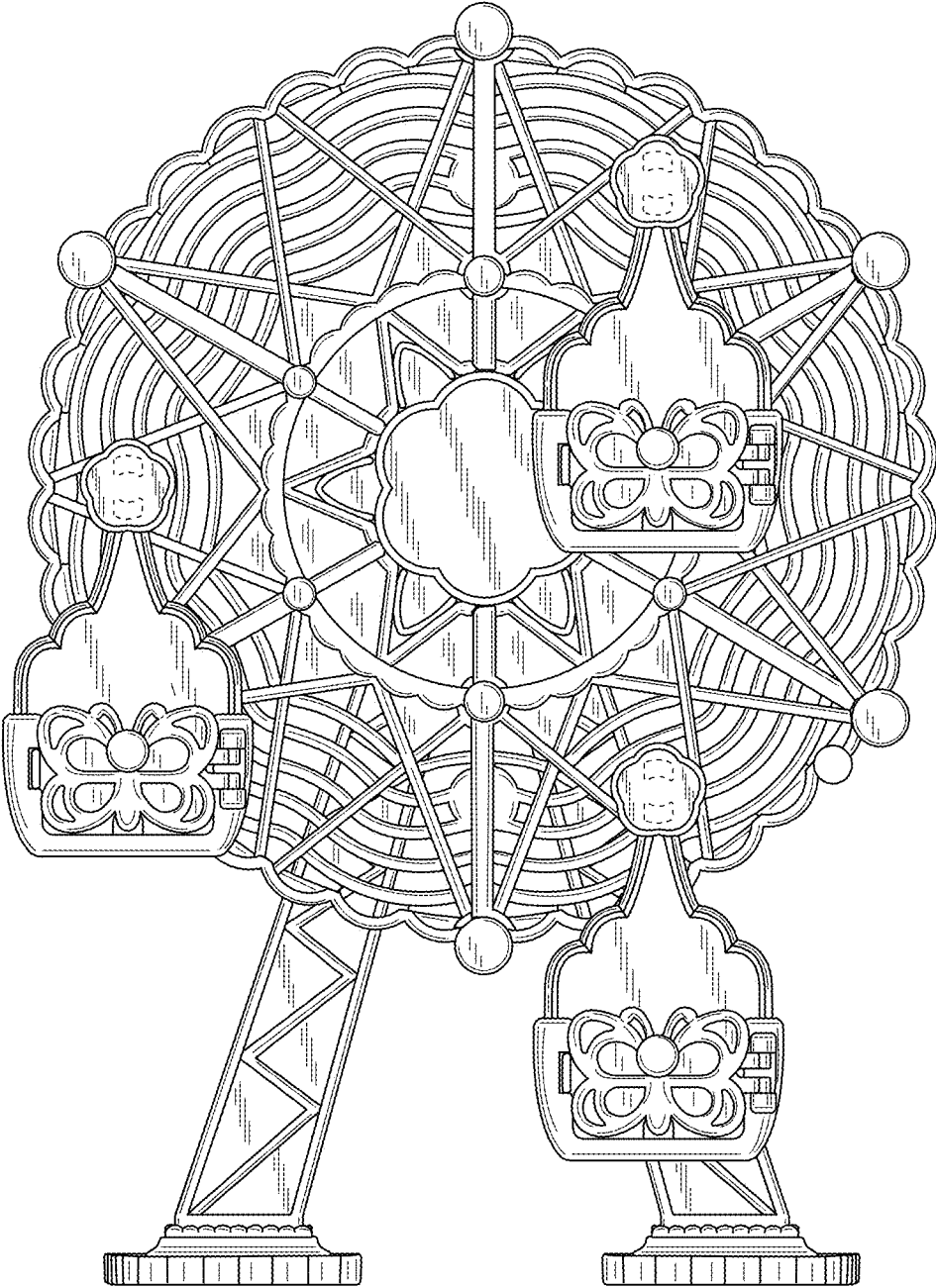


FIG. 4

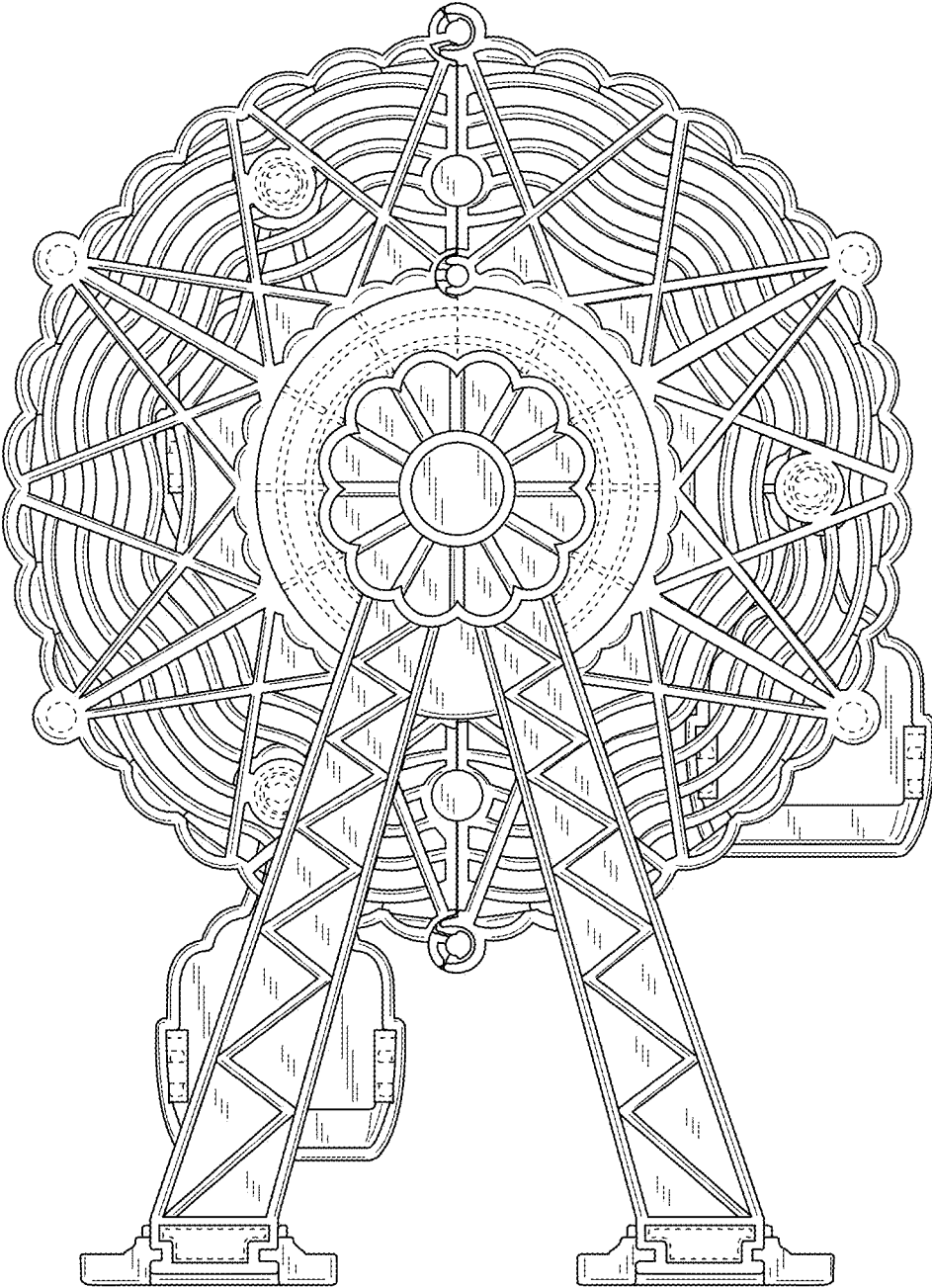


FIG. 5

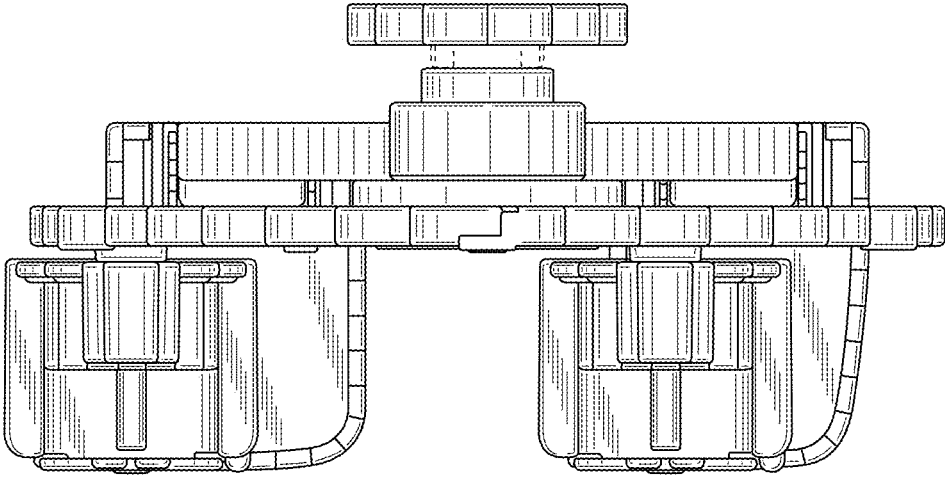


FIG. 6

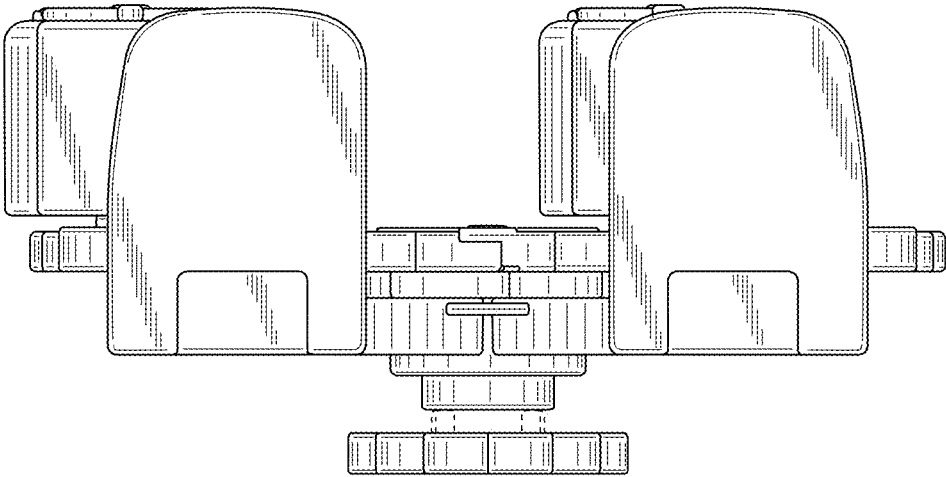


FIG. 7

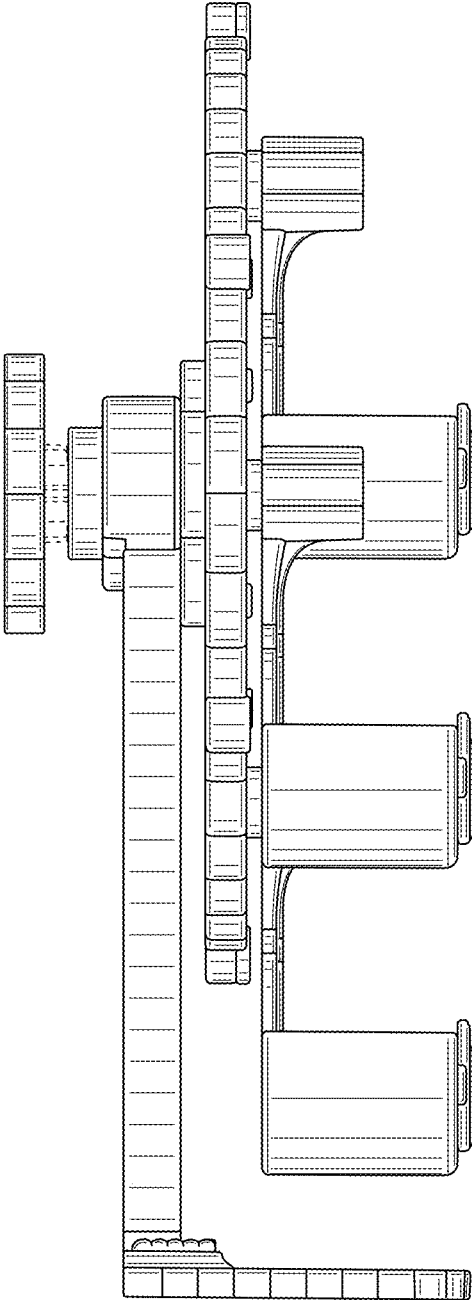


FIG. 8

