



US00D460189S

(12) **United States Design Patent** (10) **Patent No.:** **US D460,189 S**
Michelson (45) **Date of Patent:** **** Jul. 9, 2002**

(54) **TRAILING END OF A SPINAL IMPLANT** 5,015,247 A 5/1991 Michelson
D377,095 S 12/1996 Michelson
(76) **Inventor:** **Gary K. Michelson**, 438 Sherman 5,776,196 A 7/1998 Matsuzaki et al.
Canal, Venice, CA (US) 90291 D377,096 S 12/1996 Michelson
D397,439 S 8/1998 Koros et al.
(**) **Term:** **14 Years** 5,860,973 A 1/1999 Michelson
6,019,763 A * 2/2000 Nakamura et al. 606/77
(21) **Appl. No.:** **29/155,186** 6,019,792 A 2/2000 Cauthen
D425,989 S 5/2000 Michelson
(22) **Filed:** **Jan. 30, 2002** 6,217,579 B1 4/2001 Koros

Related U.S. Application Data

(62) Division of application No. 29/151,251, filed on Oct. 31, 2001, which is a division of application No. 29/141,974, filed on May 16, 2001, now Pat. No. Des. 454,197, which is a division of application No. 29/130,269, filed on Sep. 28, 2000, now Pat. No. Des. 442,691, which is a division of application No. 29/115,228, filed on Dec. 9, 1999, now Pat. No. Des. 437,055.
(51) **LOC (7) Cl.** **24-03**
(52) **U.S. Cl.** **D24/155**
(58) **Field of Search** D24/155; 128/92 R, 128/926; 134/3, 32, 41; 606/60, 61, 72, 73; 623/10-12, 16, 17, 66

References Cited

U.S. PATENT DOCUMENTS

4,501,269 A 2/1985 Bagby
4,704,126 A 11/1987 Baswell et al.

* cited by examiner

Primary Examiner—Antoine Duval Davis
(74) *Attorney, Agent, or Firm*—Martin & Ferraro, LLP

CLAIM

(57) The ornamental design for a trailing end of a spinal implant, as shown and described.

DESCRIPTION

FIG. 1 is a perspective view of the trailing end of a spinal implant in accordance with an embodiment of my claimed design with the remainder of the implant shown in hidden line and forming no part of the claimed design; FIG. 2 is an end view of FIG. 1; and, FIG. 3 is a side elevational view of FIG. 1 with the remainder of the implant shown in hidden line and forming no part of the claimed design.

1 Claim, 1 Drawing Sheet

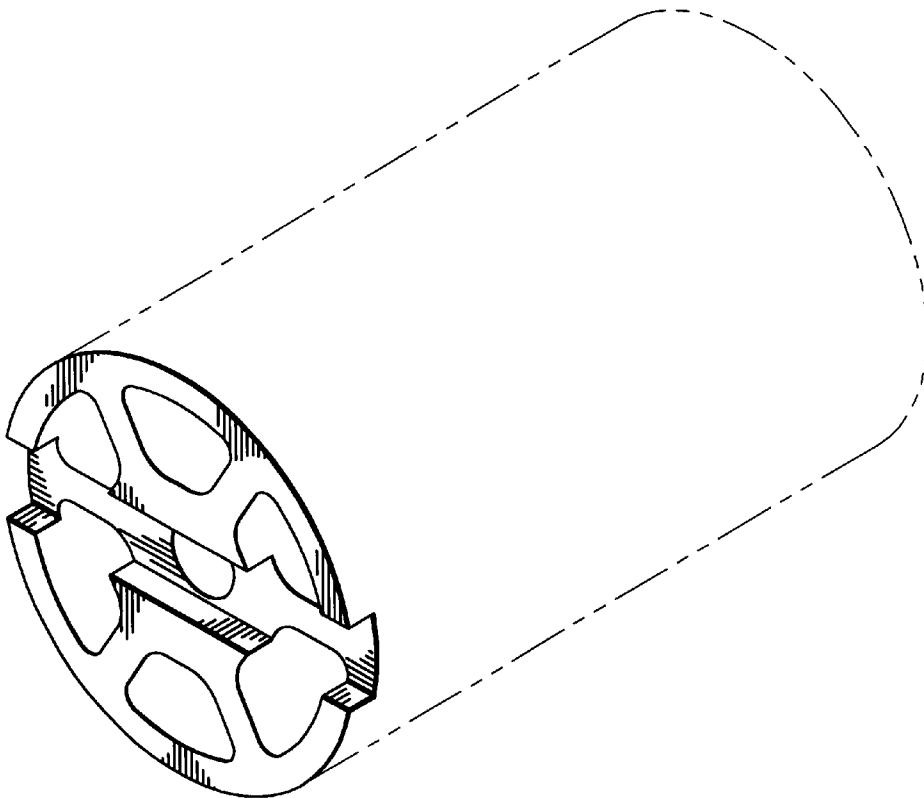


FIG. 1

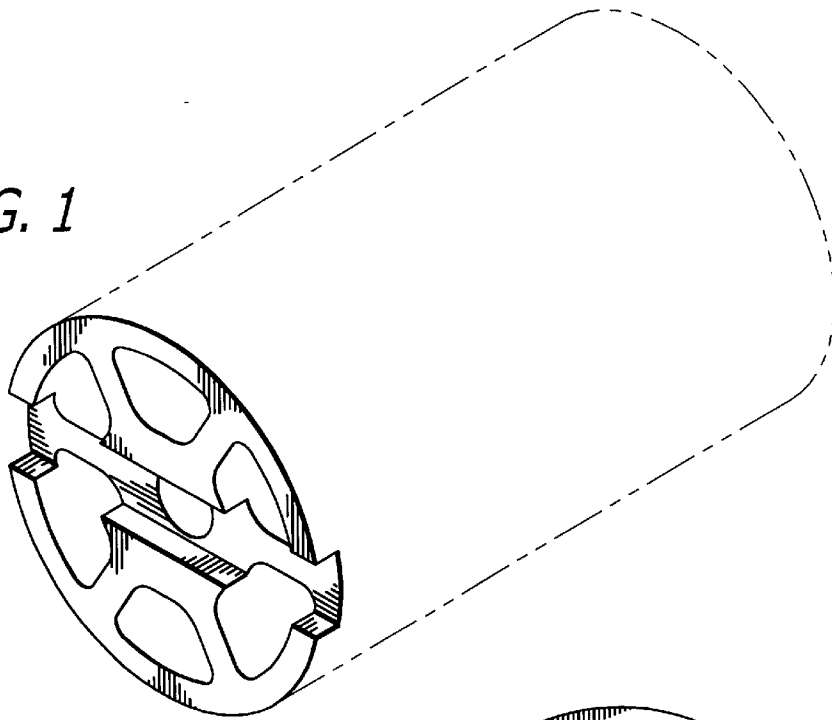


FIG. 2

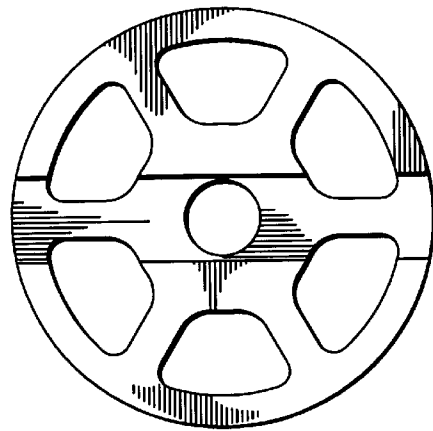


FIG. 3

