



US00D930428S

(12) **United States Design Patent**
Lindsay

(10) **Patent No.:** **US D930,428 S**

(45) **Date of Patent:** **** Sep. 14, 2021**

(54) **BOTTLE**

(71) Applicant: **Sistema Plastics Limited**, Auckland (NZ)

(72) Inventor: **Cameron Lindsay**, Auckland (NZ)

(73) Assignee: **SISTEMA PLASTICS LIMITED**

(**) Term: **15 Years**

(21) Appl. No.: **29/684,845**

(22) Filed: **Mar. 25, 2019**

(30) **Foreign Application Priority Data**

Sep. 26, 2018 (NZ) 425019

(51) **LOC (13) CL.** **07-01**

(52) **U.S. Cl.**

USPC **D7/392.1**; D7/396.2

(58) **Field of Classification Search**

USPC D9/443, 449, 452, 500-503, 504, 517, D9/520, 527, 529, 530, 541, 544, 553, D9/556, 558, 564, 640, 667, 683, 686, D9/688, 693, 695, 696, 698, 708, 744; D7/300.1, 392, 396.2, 507, 509, 510, 511, D7/532, 535, 536, 608, 900; D6/698; D24/197

CPC A47G 19/2211; A47G 19/2222; A47G 19/22; A47G 19/2272; A47G 19/2227; A47G 19/2288; B65D 3/26; B65D 1/04; B65D 1/06; B65D 51/24; B65D 23/00; B65D 23/08; B65D 81/38; A45F 3/20; A45F 3/16; A47J 41/00

See application file for complete search history.

(56) **References Cited**

U.S. PATENT DOCUMENTS

5,282,541 A 2/1994 Chen
D519,380 S * 4/2006 Leoncavallo D7/511

D528,921 S * 9/2006 Leoncavallo D7/511
D627,602 S * 11/2010 Eyal D7/510
D634,972 S * 3/2011 Staton D7/392.1
D652,255 S * 1/2012 Carland D7/510
D688,093 S * 8/2013 Roth D7/392.1
8,550,269 B2 10/2013 Lane
8,684,231 B2 4/2014 Lane et al.

(Continued)

FOREIGN PATENT DOCUMENTS

CA 2491577 A1 7/2005
CN 203693166 U 7/2014

(Continued)

OTHER PUBLICATIONS

Nalgene, "Nalgene Tritan On The Fly Water Bottle," Sep. 21, 2010, Amazon.com, www.amazon.com/dp/B0043T9DKC (Year: 2010).*

(Continued)

Primary Examiner — Janice Patyk

Assistant Examiner — Arva P Adams

(74) *Attorney, Agent, or Firm* — McCarter & English, LLP

(57)

CLAIM

The ornamental design for a bottle, as shown and described.

DESCRIPTION

FIG. 1 is a top front perspective view of a bottle; FIG. 2 is a front view of the bottle of FIG. 1; FIG. 3 is a left side view of the bottle of FIG. 1; FIG. 4 is a right side view of the bottle of FIG. 1; FIG. 5 is a rear view of the bottle of FIG. 1; FIG. 6 is a top view of the bottle of FIG. 1; FIG. 7 is a bottom view of the bottle of FIG. 1; and, FIG. 8 is an enlarged front view of the top portion of the bottle as shown in FIG. 2.

The broken lines show portions of the bottle that form no part of the claimed design.

1 Claim, 8 Drawing Sheets



(56)

References Cited

U.S. PATENT DOCUMENTS

8,978,923 B2 3/2015 George
 8,985,370 B2 3/2015 Lane
 D767,328 S * 9/2016 Boroski D7/392.1
 D767,337 S * 9/2016 Boroski D7/510
 9,675,191 B2 6/2017 Kurabe et al.
 D801,173 S * 10/2017 Lown D9/449
 D801,174 S * 10/2017 Lown D9/449
 D808,213 S * 1/2018 Lown D7/396.2
 D830,771 S * 10/2018 Lin D7/510
 D840,187 S * 2/2019 Sams D7/392
 D841,391 S * 2/2019 Pape D7/391
 D846,354 S * 4/2019 Omdahl, II D7/510
 D874,216 S * 2/2020 Henkel D7/392
 D879,552 S * 3/2020 Omdahl, II D7/396.2
 D901,250 S * 11/2020 McCabe D7/511
 D902,647 S * 11/2020 McCabe D7/392.1
 D903,407 S * 12/2020 McCabe D7/392.1
 2004/0217139 A1 11/2004 Roth et al.

FOREIGN PATENT DOCUMENTS

CN 304424960 * 12/2017
 NZ 425020 * 7/2019

OTHER PUBLICATIONS

Laken, Laken Thermo Classic Vacuum Insulated Stainless Steel Water Bottle, May 15, 2013, Amazon.com, www.amazon.com/dp/B00CS9B9OW (Year: 2013).
 ZULU, "Zulu Swift Bouteille," Mar. 28, 2019, Amazon.ca, www.amazon.ca/-/fr/Zulu-Swift-Bouteille-deau-Tritan/dp/B07PM93GM7 (Year: 2019).
 Sistema, "Sistema 900ml Tritan Adventum Bottle," May 31, 2019, Amazon.com, www.amazon.com/dp/B07QRBWN38 (Year: 2019).

* cited by examiner

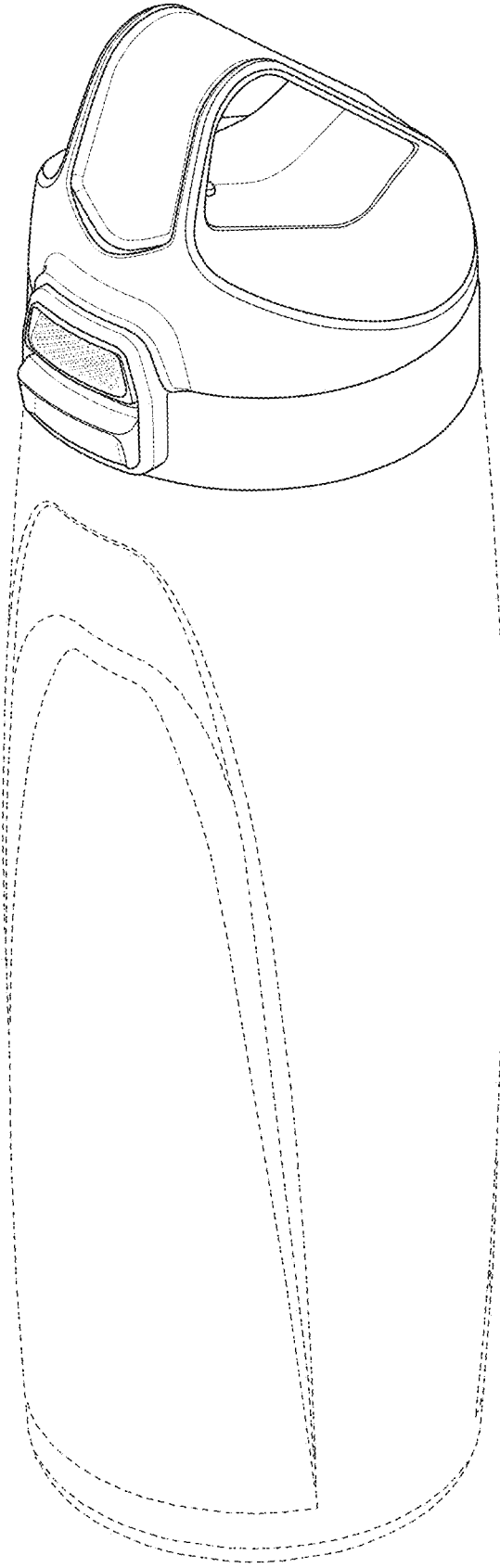


FIG. 1

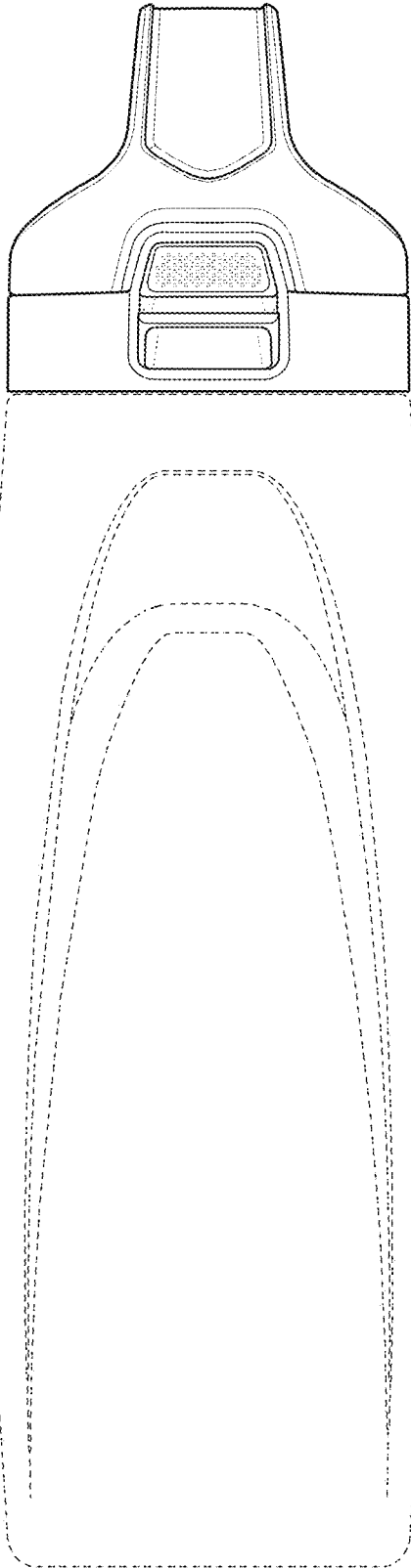


FIG. 2

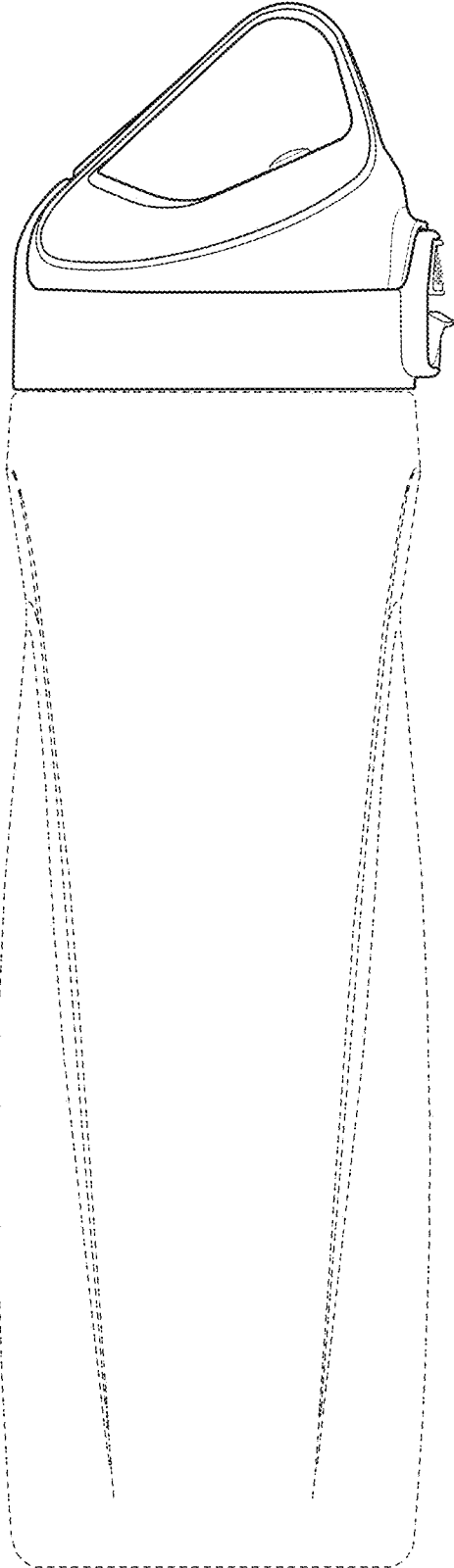


FIG. 3

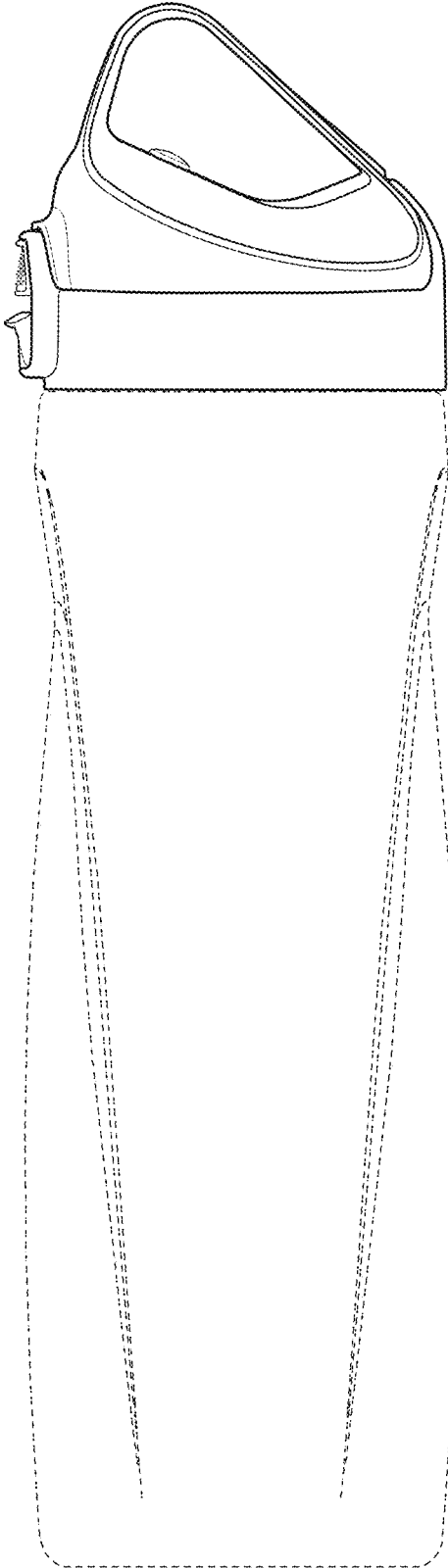


FIG. 4

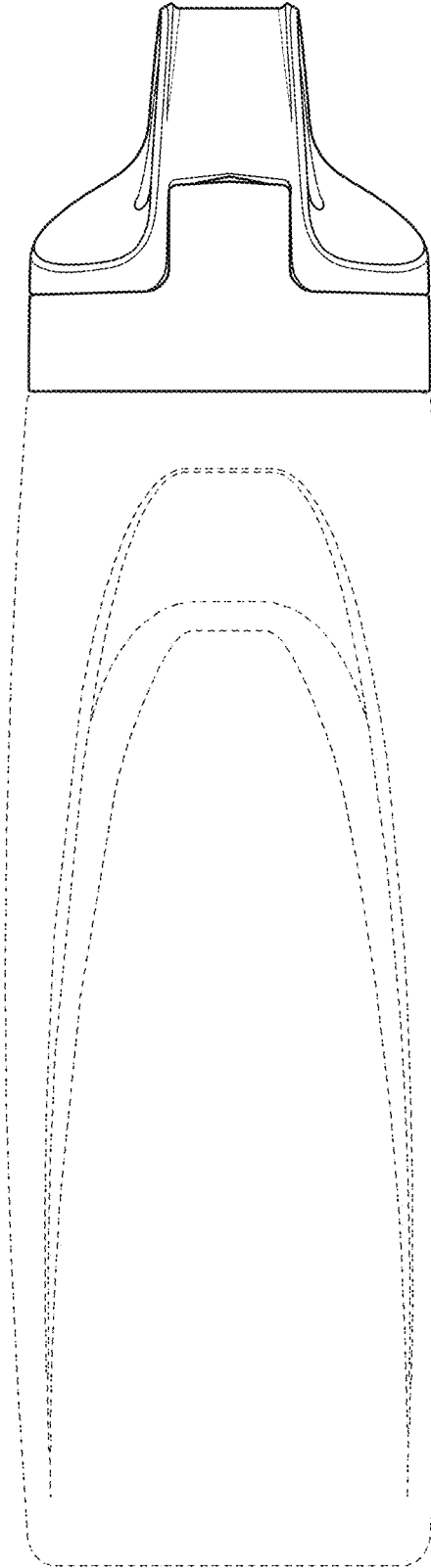


FIG. 5

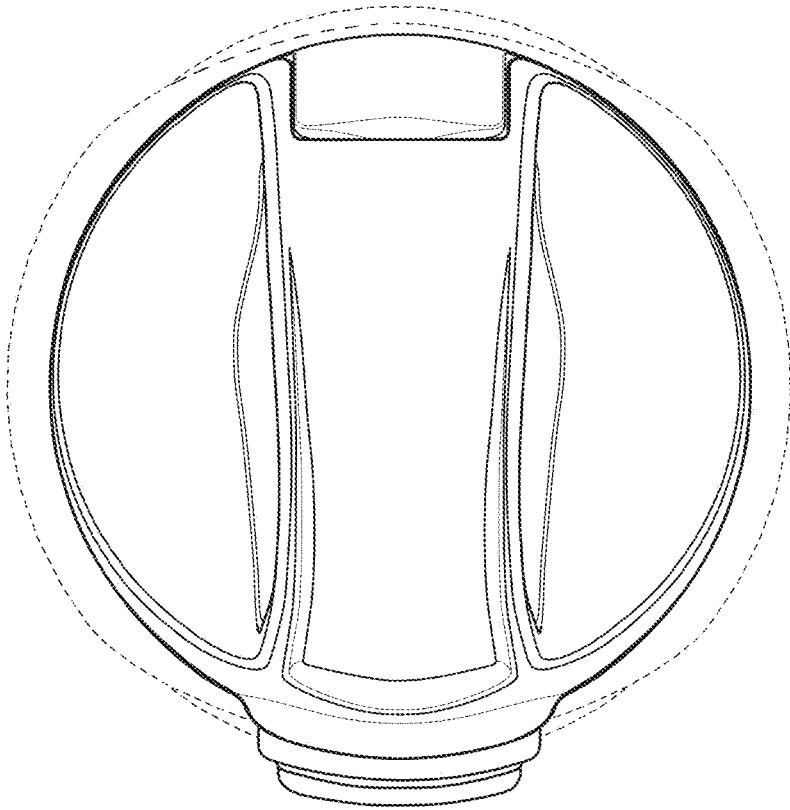


FIG. 6

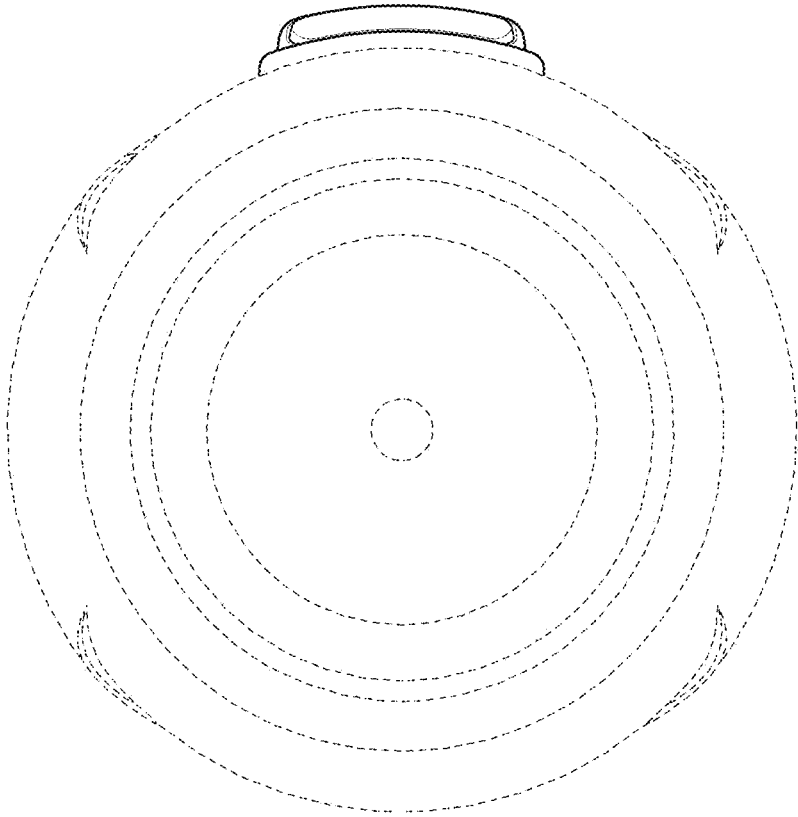


FIG. 7

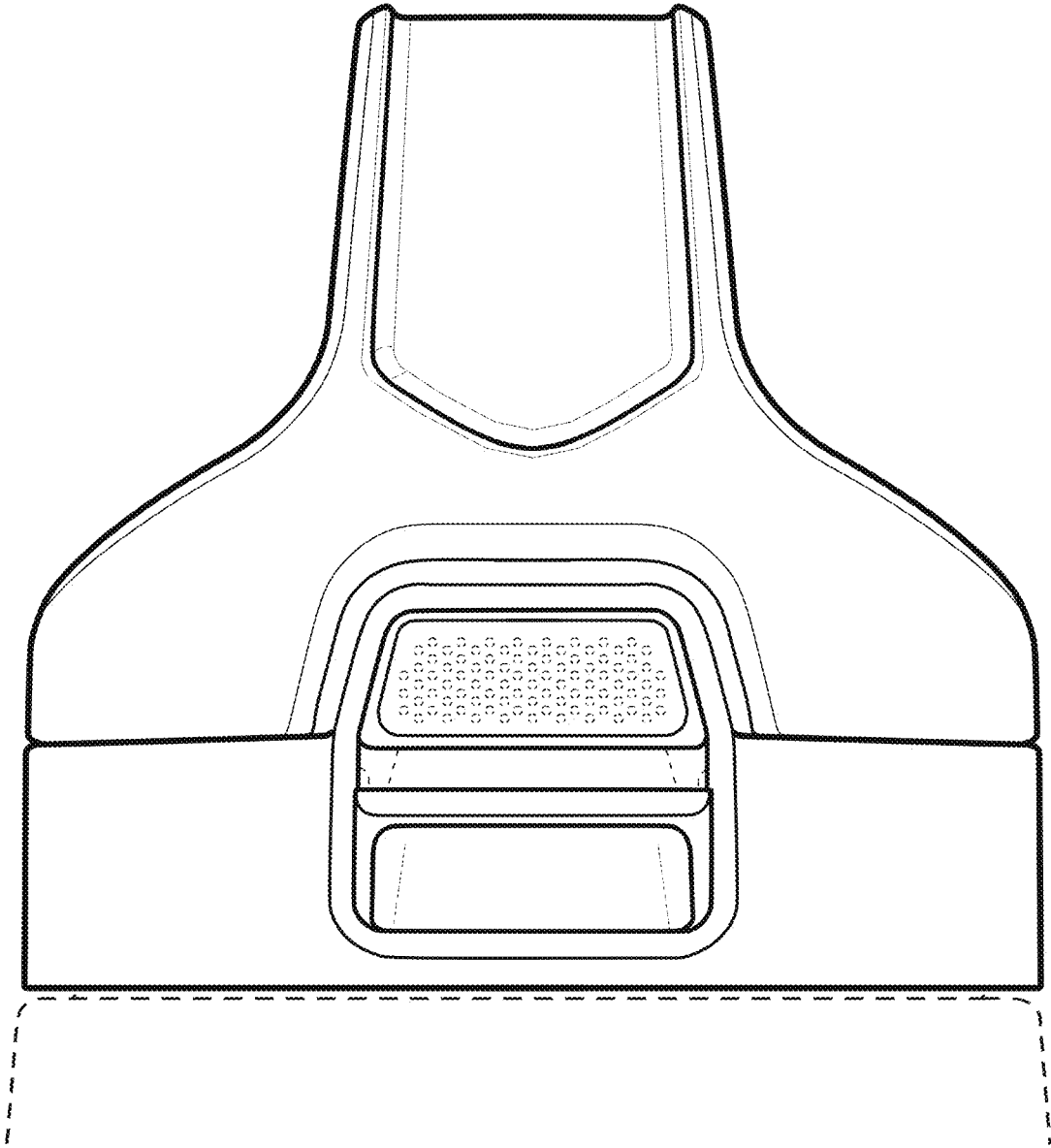


FIG. 8