



US00D929168S

(12) **United States Design Patent**
Lin et al.

(10) **Patent No.:** **US D929,168 S**

(45) **Date of Patent:** **** Aug. 31, 2021**

(54) **TOASTER**

(71) Applicant: **SHENZHEN QIANHAI PATUOXUN NETWORK AND TECHNOLOGY CO., LTD.**, Shenzhen (CN)

(72) Inventors: **Zhilin Lin**, Shenzhen (CN); **Gang Qin**, Shenzhen (CN)

(73) Assignee: **SHENZHEN QIANHAI PATUOXUN NETWORK AND TECHNOLOGY CO., LTD.**, Shenzhen (CN)

(**) Term: **15 Years**

(21) Appl. No.: **29/775,717**

(22) Filed: **Mar. 25, 2021**

(51) **LOC (13) Cl.** **07-03**

(52) **U.S. Cl.**
USPC **D7/330**

(58) **Field of Classification Search**
USPC D7/330
CPC A47J 37/08
See application file for complete search history.

(56) **References Cited**

U.S. PATENT DOCUMENTS

D413,224 S * 8/1999 Cruz D7/330
D644,473 S * 9/2011 Pantaleo D7/330

D724,885 S * 3/2015 Kunz D7/330
D749,348 S * 2/2016 Carlson D7/330
D749,349 S * 2/2016 Carlson D7/330
D796,890 S 9/2017 De' Longhi et al.
D797,490 S * 9/2017 Averty D7/330
D807,677 S * 1/2018 Ho D7/330
D838,132 S * 1/2019 Kowalewski D7/330
D886,505 S 6/2020 Thun et al.
D886,506 S * 6/2020 Thun D7/330
2015/0257597 A1* 9/2015 Marschke A47J 37/0807
99/389
2021/0121018 A1* 4/2021 Denham A47J 37/0807

* cited by examiner

Primary Examiner — Charles D Hanson

(57) **CLAIM**

The ornamental design for a toaster, as shown and described.

DESCRIPTION

FIG. 1 is a perspective view of a toaster showing my new design;

FIG. 2 is another perspective view thereof;

FIG. 3 is a front elevational view thereof;

FIG. 4 is a rear elevational view thereof;

FIG. 5 is a left side elevational view thereof;

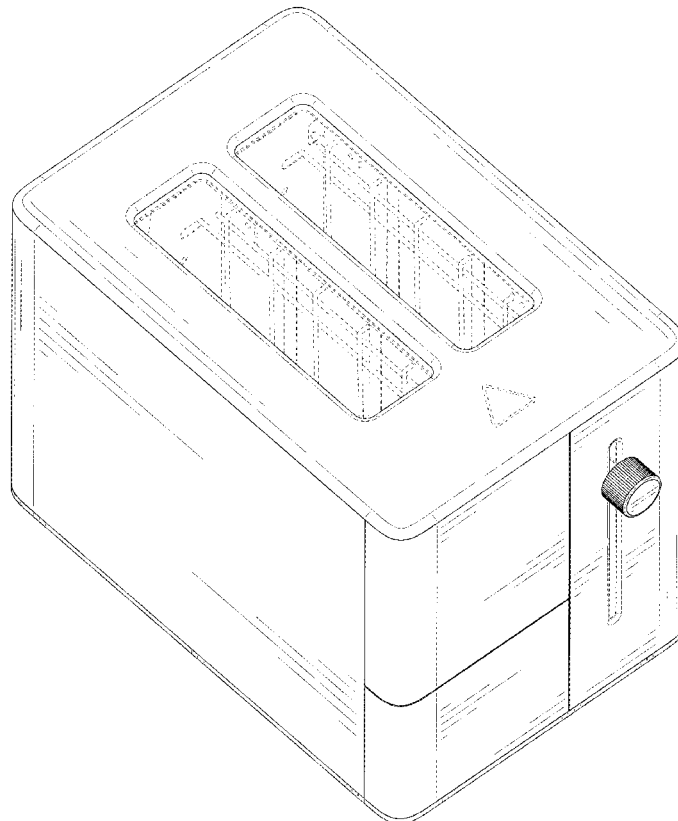
FIG. 6 is a right side elevational view thereof;

FIG. 7 is a top plan view thereof; and,

FIG. 8 is a bottom plan view thereof.

The broken lines in the drawings depict portions of the toaster that form no part of the claimed design.

1 Claim, 8 Drawing Sheets



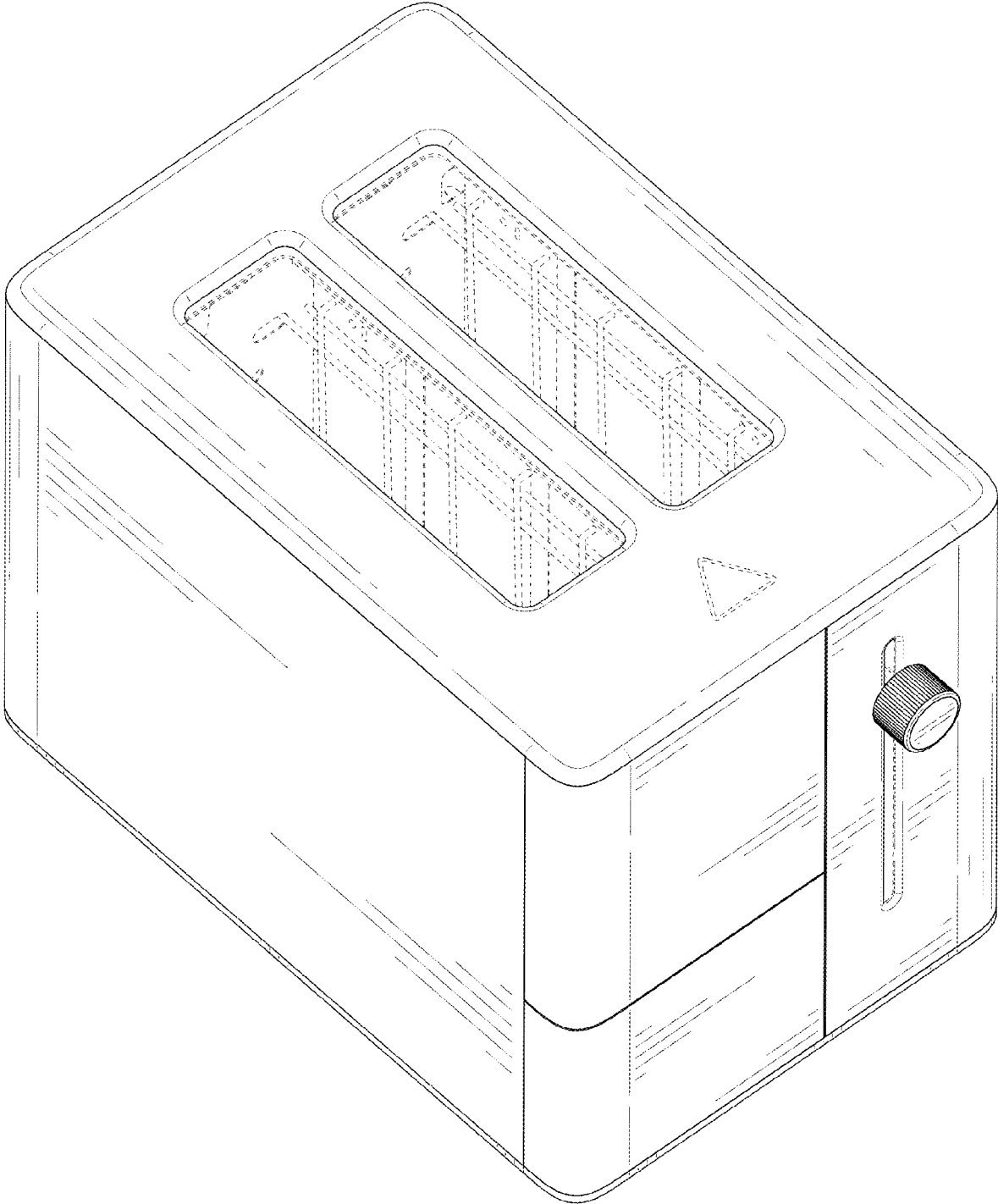


FIG. 1

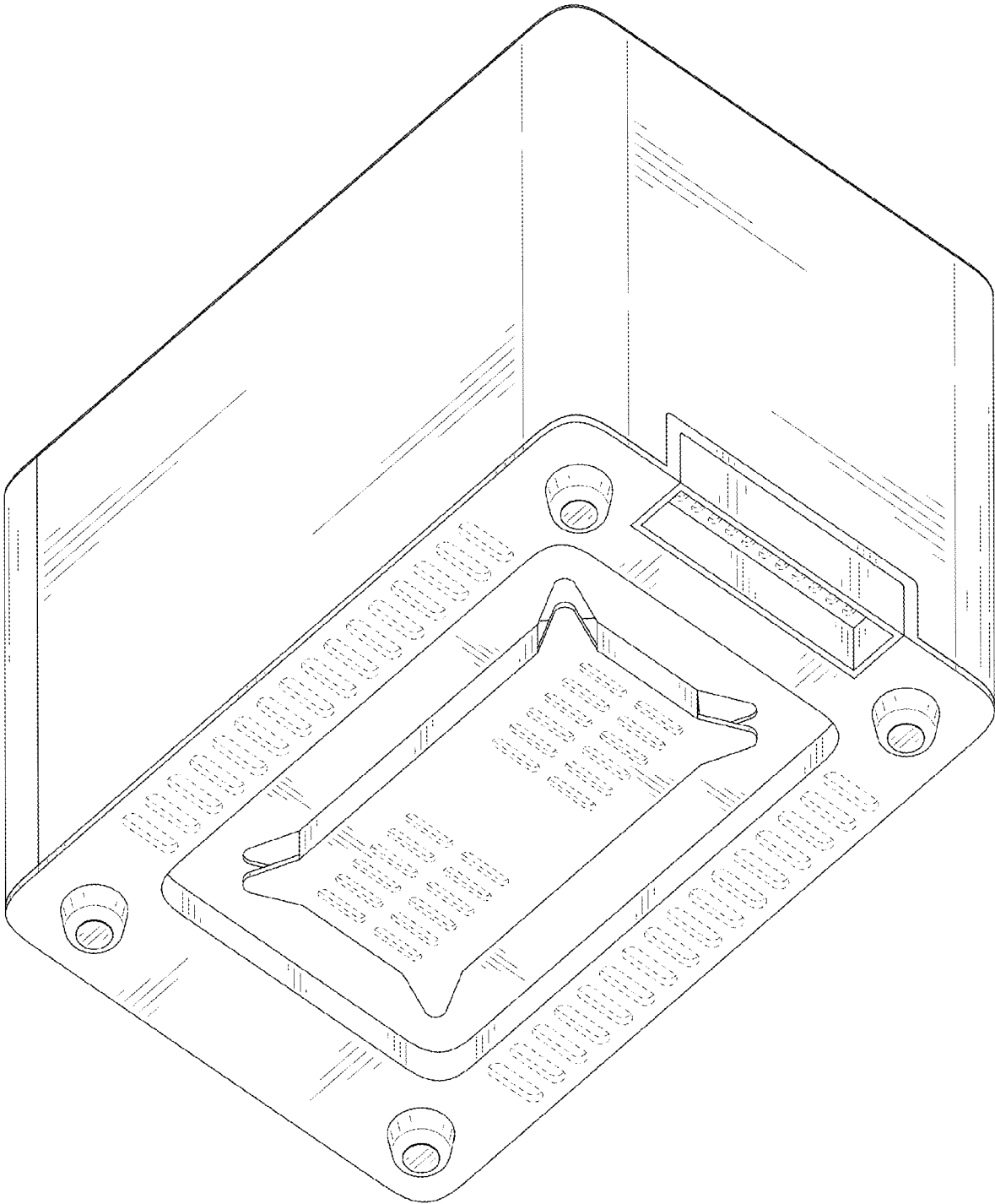


FIG. 2

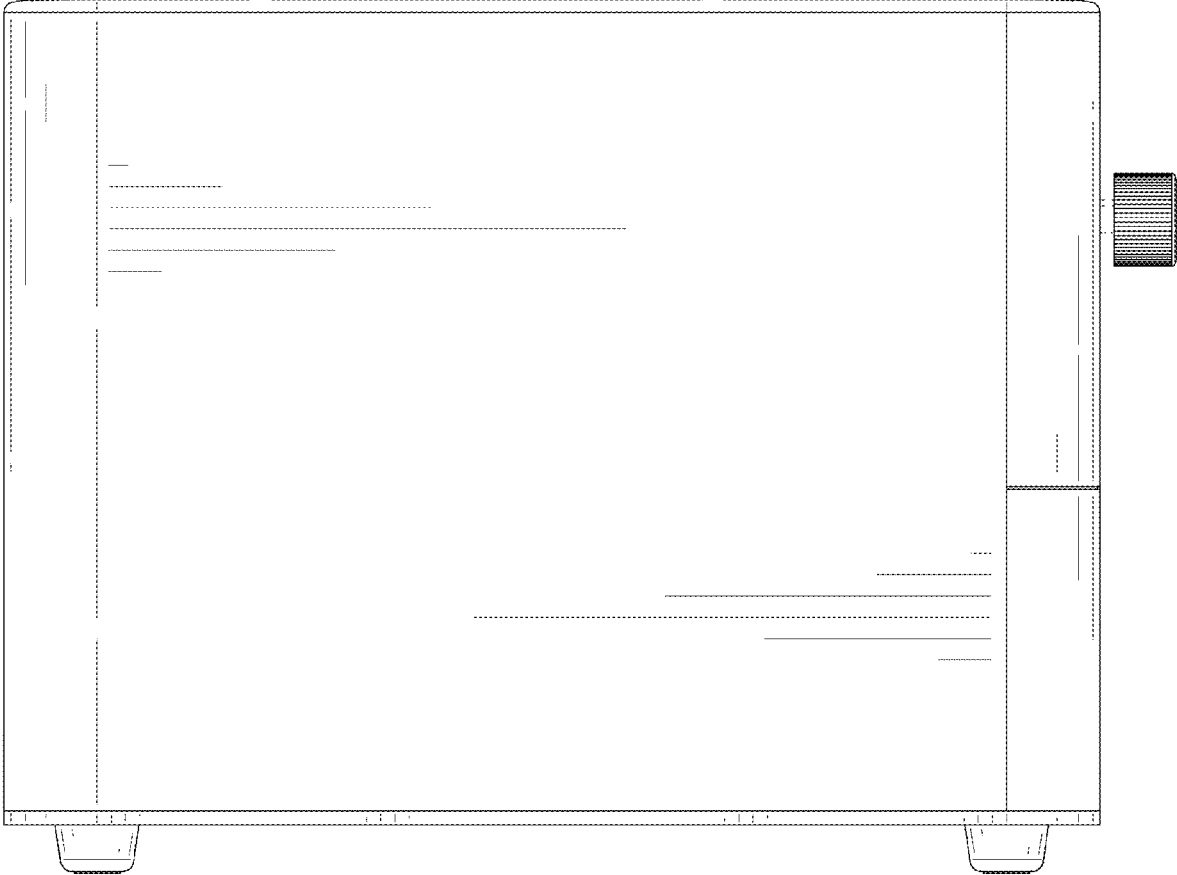


FIG. 3

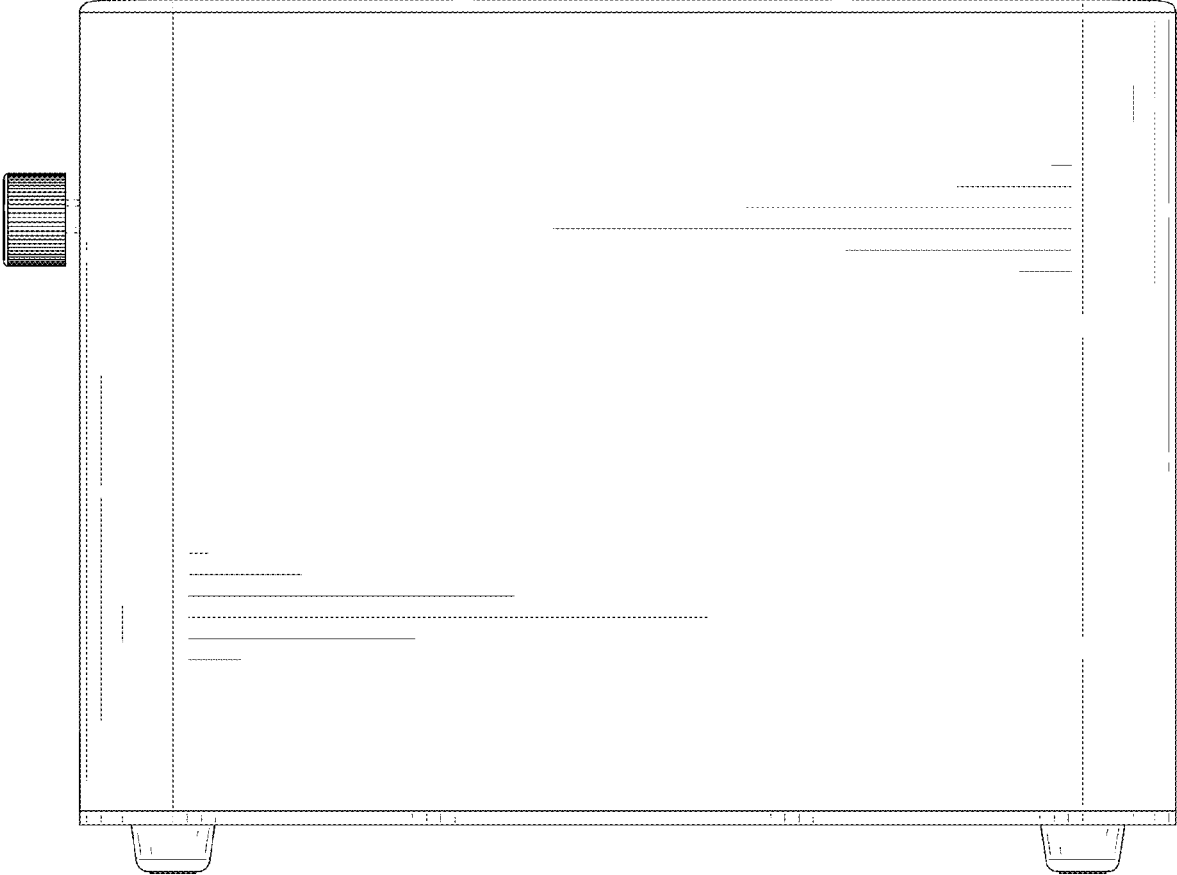


FIG. 4

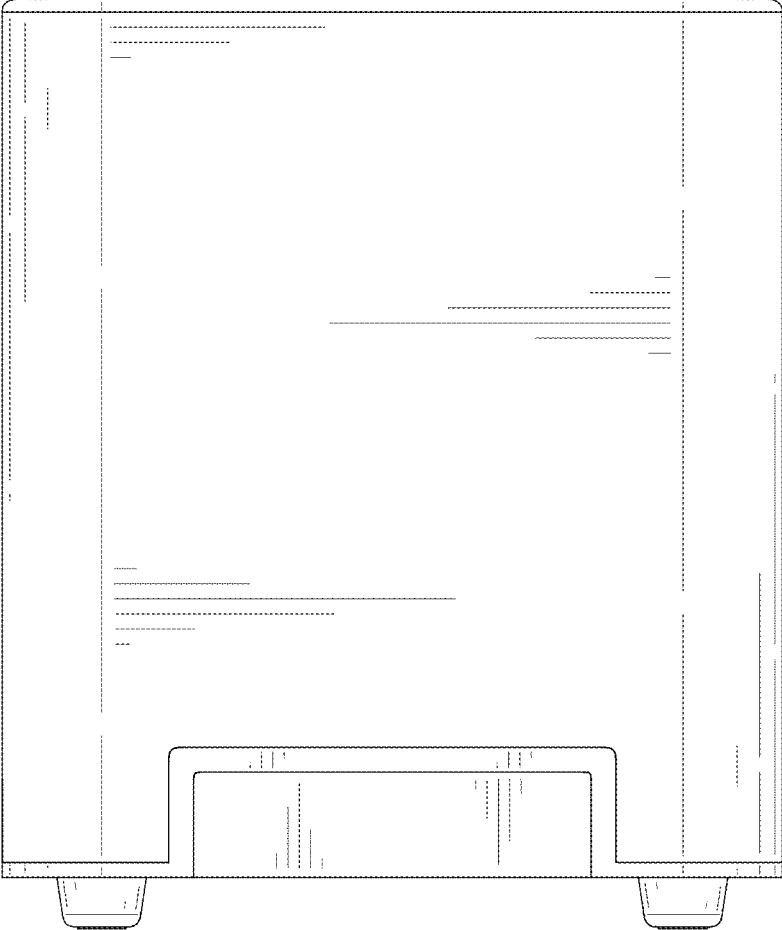


FIG. 5

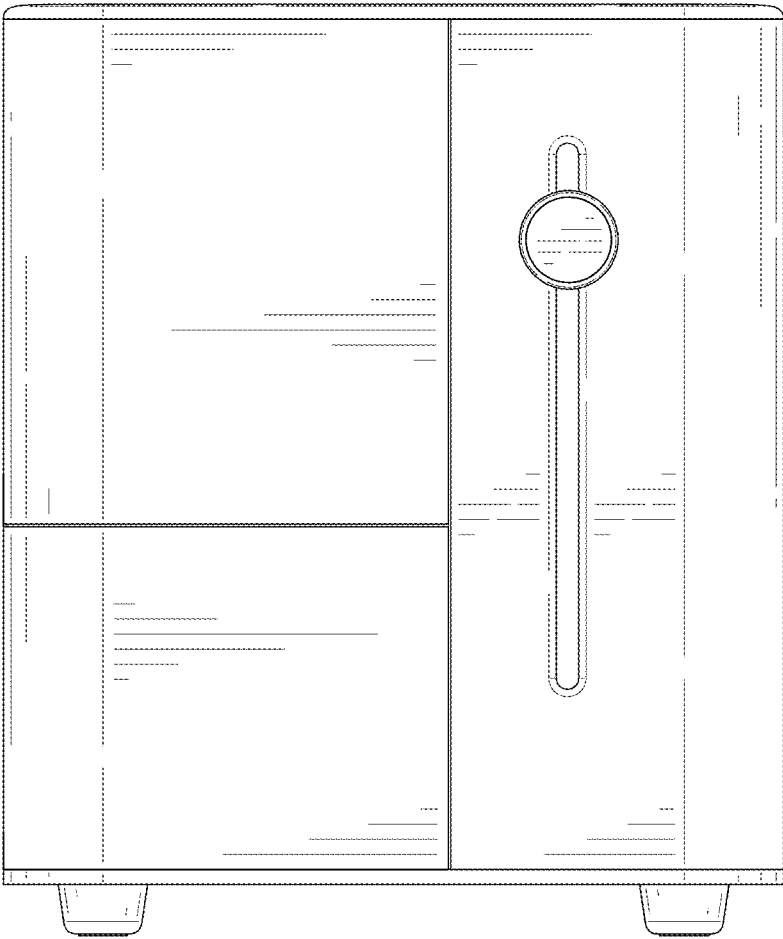


FIG. 6

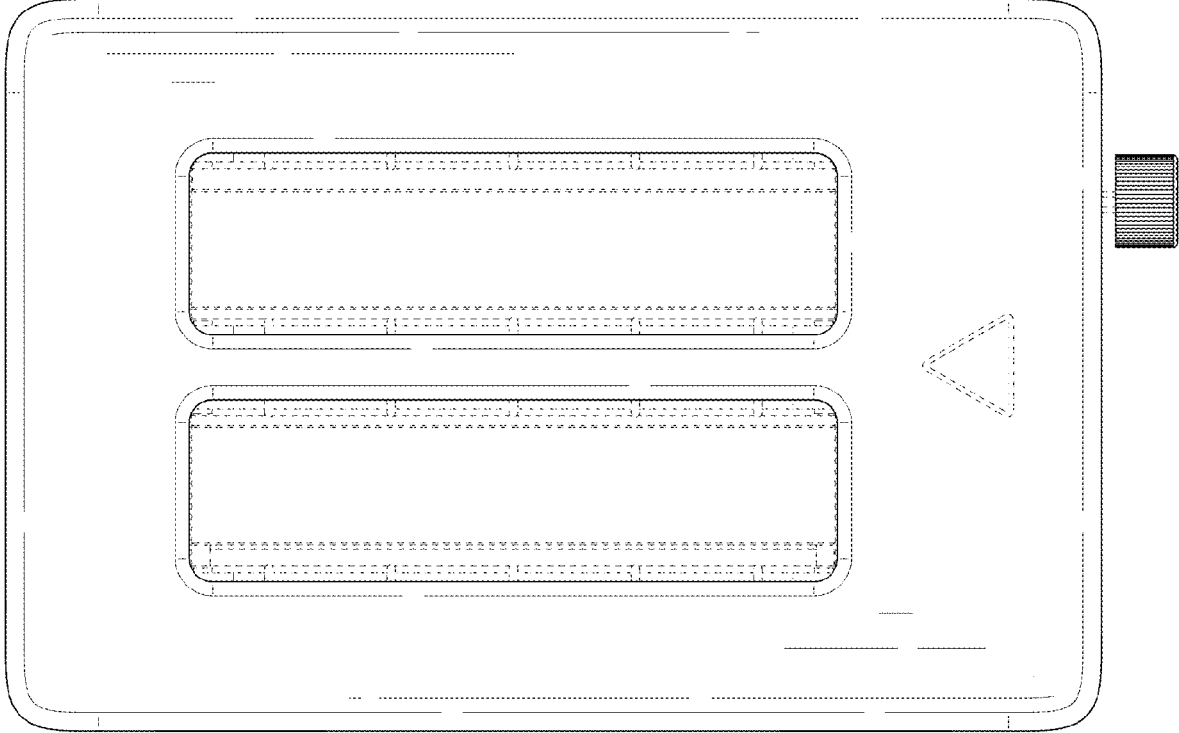


FIG. 7

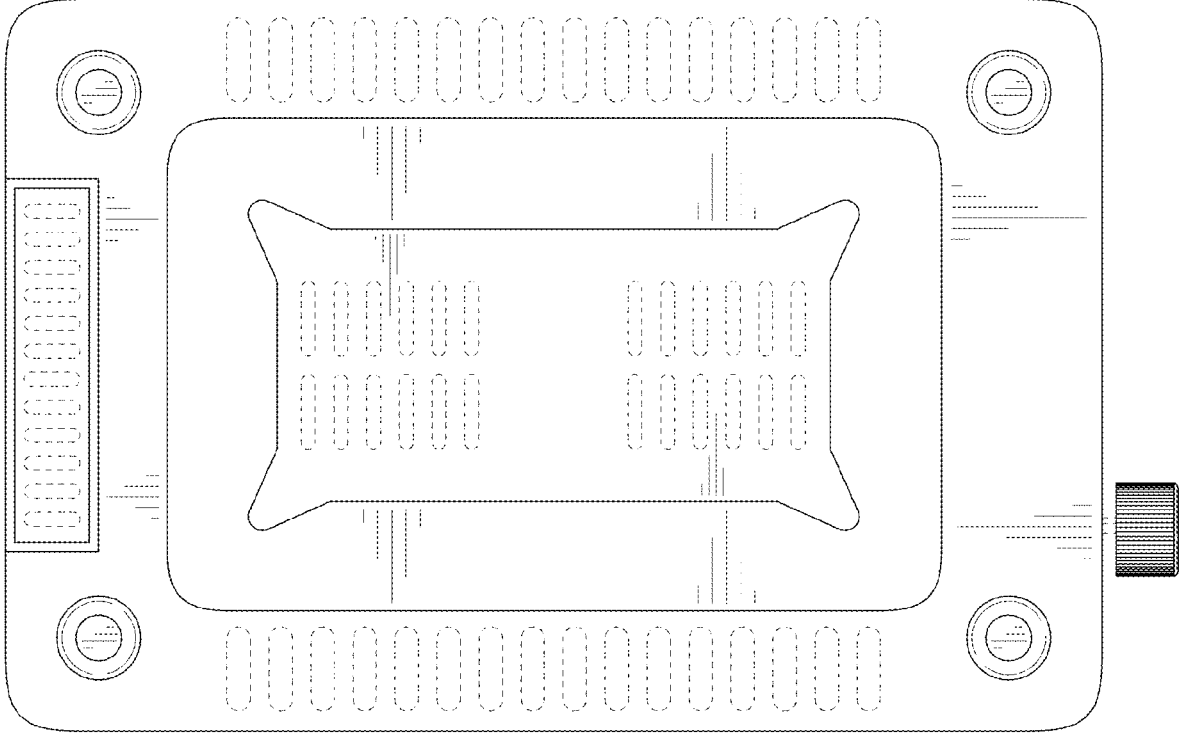


FIG. 8