



US00D748006S

(12) **United States Design Patent**  
**Vartanian**

(10) **Patent No.:** **US D748,006 S**

(45) **Date of Patent:** **\*\* Jan. 26, 2016**

(54) **EARRING**

(71) Applicant: **Jack Vartanian**, São Paulo (BR)

(72) Inventor: **Jack Vartanian**, São Paulo (BR)

(73) Assignee: **JACK VARTANIAN EPP**, Sao Paulo (BR)

(\*\*) Term: **14 Years**

(21) Appl. No.: **29/484,340**

(22) Filed: **Mar. 7, 2014**

(30) **Foreign Application Priority Data**

Sep. 9, 2013 (BR) ..... 302013004506

(51) **LOC (10) Cl.** ..... **11-01**

(52) **U.S. Cl.**  
USPC ..... **D11/42**

(58) **Field of Classification Search**  
USPC ..... D11/1, 2, 40-52, 79-86, 91, 92; 63/12, 63/13, 14, 18, 26-28, 29.1, 29.2, 31, 32, 63/1.11, 35

See application file for complete search history.

(56) **References Cited**

**U.S. PATENT DOCUMENTS**

D132,457 S *	5/1942	Nathan	.....	D11/75
D145,263 S *	7/1946	Philippe	.....	D11/40
D152,068 S	12/1948	Donchi	.....	
D156,312 S *	12/1949	Bogoff	.....	D11/40
D172,623 S	7/1954	Katz	.....	
D257,026 S *	9/1980	Barr	.....	D11/75
D279,878 S *	7/1985	Moon	.....	D11/43
D335,471 S *	5/1993	Coleman	.....	D11/79
D381,925 S *	8/1997	Bergannini	.....	D11/42
D386,439 S *	11/1997	Itzkowitz	.....	D11/41
D394,824 S *	6/1998	Itzkowitz	.....	D11/79

D406,246 S	3/1999	Bulgari	.....	
D417,636 S	12/1999	Ambar	.....	
D439,190 S *	3/2001	Itzkowitz	.....	D11/26
D442,110 S *	5/2001	Edmond	.....	D11/40
D447,716 S *	9/2001	Itzkowitz	.....	D11/26
D452,183 S	12/2001	Pinto	.....	
D460,714 S	7/2002	Steinberg	.....	
D485,778 S *	1/2004	Steckbeck	.....	D11/7
D485,779 S *	1/2004	Steckbeck	.....	D11/7
D486,416 S *	2/2004	Pachachi	.....	D11/40

(Continued)

**OTHER PUBLICATIONS**

[Online] <http://media-cache-ec0.pinimg.com/736x/c7/84/f1/c784f163e3fcb9749c47f66cec011f52.jpg>. Retrieved Sep. 11, 2014.\*

(Continued)

*Primary Examiner* — Jennifer Rivard

*Assistant Examiner* — Melanie Pellegrini

(74) *Attorney, Agent, or Firm* — Ladas & Parry, LLP

(57) **CLAIM**

The ornamental design for an earring, as shown and described.

**DESCRIPTION**

FIG. 1 is a front perspective view of a first embodiment of an earring showing my new design;

FIG. 2 is a front view of the design thereof;

FIG. 3 is a rear view of the design thereof;

FIG. 4 is a right side view of the design thereof;

FIG. 5 is a left side view of the design thereof;

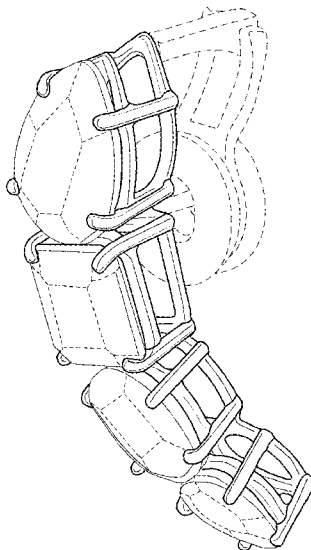
FIG. 6 is a top perspective view of the design thereof; and,

FIG. 7 is a bottom perspective view of the design thereof.

The broken lines in the drawings represent portions of the earring which form no part of the claimed design.

The design of the earring includes a second embodiment which is a mirror image of the first embodiment.

**1 Claim, 4 Drawing Sheets**



(56)

References Cited

U.S. PATENT DOCUMENTS

D499,046	S	11/2004	Pinto	
D511,310	S	* 11/2005	Gruosi	D11/41
D642,088	S	7/2011	Kothari	
D655,219	S	3/2012	Kothari	
D666,522	S	9/2012	Dholakiya	
D674,315	S	1/2013	Dholakiya	
D679,215	S	4/2013	Roehl	
D682,139	S	5/2013	Kothari	
2011/0056242	A1	3/2011	Chan	

OTHER PUBLICATIONS

U.S. Appl. No. 29/467,066, filed Sep. 13, 2013, Vartanian.  
 U.S. Appl. No. 29/469,684, filed Oct. 12, 2013, Vartanian.  
 U.S. Appl. No. 29/472,467, filed Nov. 12, 2013, Vartanian.  
 U.S. Appl. No. 29/472,468, filed Nov. 12, 2013, Vartanian.  
 U.S. Appl. No. 29/482,689, filed Feb. 20, 2014, Vartanian.  
 U.S. Appl. No. 29/483,607, filed Feb. 28, 2014, Vartanian.  
 U.S. Appl. No. 29/483,609, filed Feb. 28, 2014, Vartanian.  
 U.S. Appl. No. 29/483,610, filed Feb. 28, 2014, Vartanian.  
 U.S. Appl. No. 29/483,611, filed Feb. 28, 2014, Vartanian.  
 U.S. Appl. No. 29/483,914, filed Mar. 4, 2014, Vartanian.  
 U.S. Appl. No. 29/484,341, filed Mar. 7, 2014, Vartanian.  
 U.S. Appl. No. 29/484,502, filed Mar. 10, 2014, Vartanian.

Picture of table, taken on Jul. 16, 2014.  
 [Online] <http://cherylkremkow.com/core/wp-content/uploads/2014/07/Jack-Vartanian-Ruby.jpg>. Retrieved Sep. 15, 2014.

[Online] <http://mdemulher.abril.com.br/blogs/modaspot-news/files/legado/2013/03/joias.jpg>. Retrieved Aug. 21, 2014.

[Online] <http://media-cache-ak0.pinimg.com/236x/28/58/c6/2858c6829b4485a5e6022552327a81e5.jpg>. Retrieved Sep. 17, 2014.

[Online] <http://media-cache-ak0.pinimg.com/236x/77/c6/94/77c694ba4375d2e3fbf93b28e187b9d3.jpg>. Retrieved Sep. 11, 2014.

[Online] <http://media-cache-ak0.pinimg.com/736x/24/f6/e7/24f6e7fba27f0b3c11e32ec62d3e273.jpg>. Retrieved Sep. 17, 2014.

[Online] <http://media-cache-ec0.pinimg.com/236x/7e/91/ff/7e91ff2bb400a39579acf5d39c021196.jpg>. Retrieved Sep. 17, 2014.

[Online] <http://media-cache-ec0.pinimg.com/736x/23/ff/eb/23ffeb119625af9a8b1104757e0a166e.jpg>. Retrieved Sep. 17, 2014.

[Online] <http://onlinestore.jackvartanian.com/coliection/new-desire#!/campanha/0>. Retrieved Jun. 26, 2014.

[Online] <http://onlinestore.jackvartanian.com/collection/new-desire#!/campanha/3>. Retrieved Jun. 26, 2014.

[Online] <http://thefashion-court.com/wp-content/uploads/2014/06/jack-vartanian-universal-diamond-ear-climbers-earrings.png>. Retrieved Sep. 17, 2014.

[Online] <http://thefashion-court.com/wp-content/uploads/2014/08/jack-vartanian-diamond-ear-climbers-black.png>. Retrieved Sep. 17, 2014.

Office Action from Design U.S. Appl. No. 29/467,066 mailed on Sep. 17, 2014.

Office Action from Design U.S. Appl. No. 29/469,684 mailed on Aug. 25, 2014.

Office Action from Design U.S. Appl. No. 29/472,467 mailed on Jun. 27, 2014.

Office Action from Design U.S. Appl. No. 29/472,468 mailed on Jun. 30, 2014.

Office Action from Design U.S. Appl. No. 29/482,689 mailed on Oct. 1, 2014.

Office Action from Design U.S. Appl. No. 29/483,607 mailed on Sep. 23, 2014.

Office Action from Design U.S. Appl. No. 29/483,609 mailed on Sep. 17, 2014.

Office Action from Design U.S. Appl. No. 29/483,610 mailed on Sep. 18, 2014.

Office Action from Design U.S. Appl. No. 29/483,611 mailed on Sep. 22, 2014.

Office Action from Design U.S. Appl. No. 29/483,914 mailed on Sep. 25, 2014.

Office Action from Design U.S. Appl. No. 29/484,341 mailed on Sep. 19, 2014.

Office Action from Design U.S. Appl. No. 29/484,502 mailed on Sep. 22, 2014.

\* cited by examiner

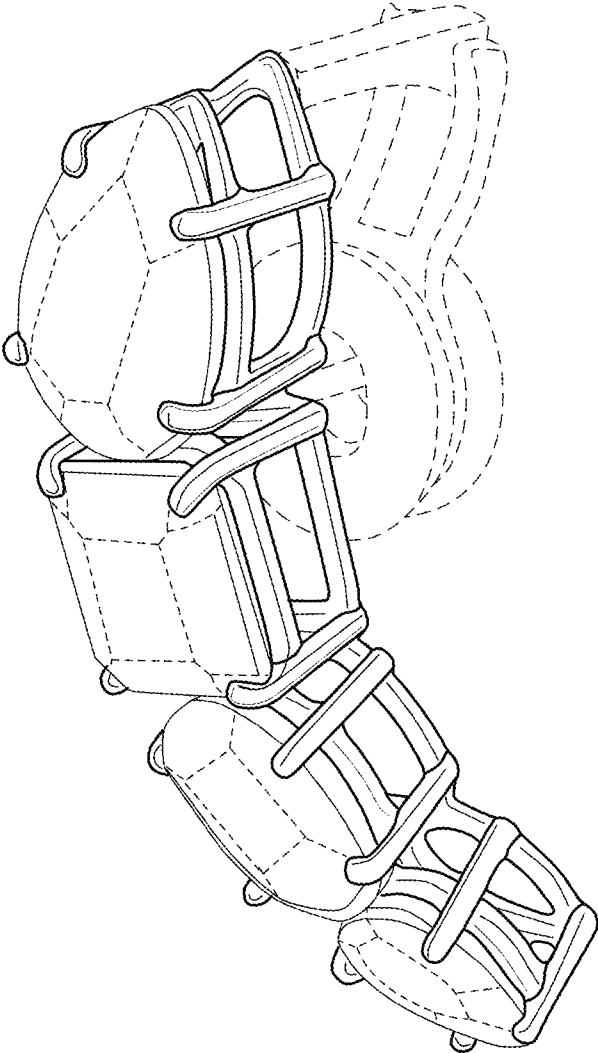
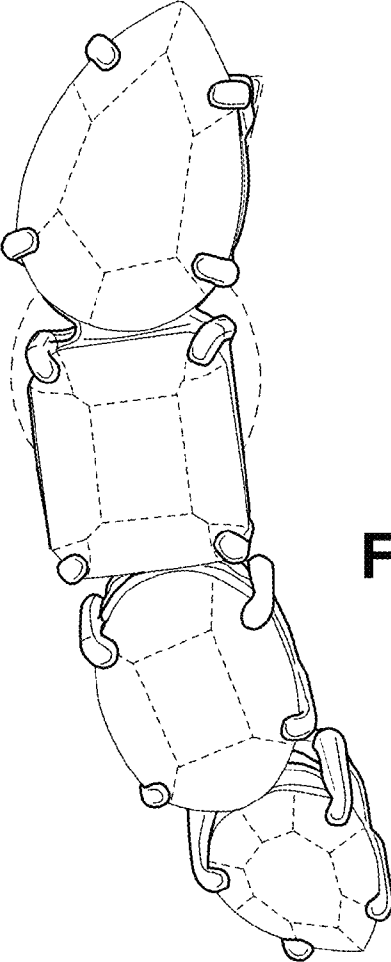
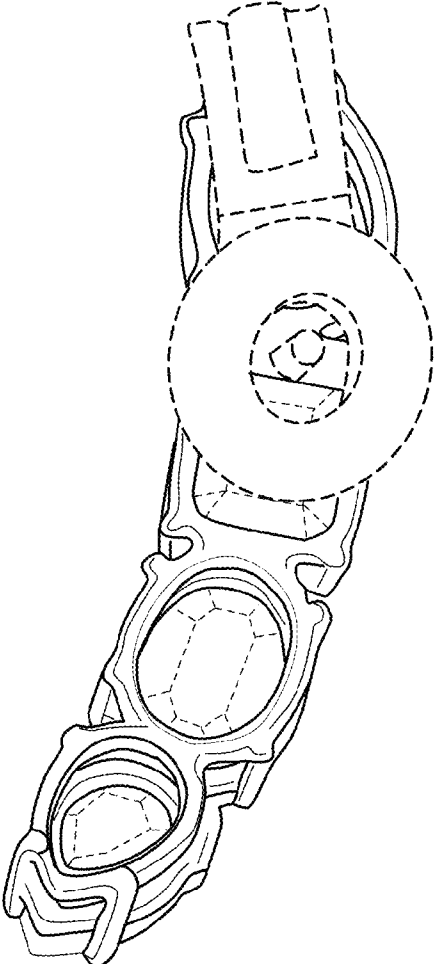


FIG. 1



**FIG. 2**



**FIG. 3**

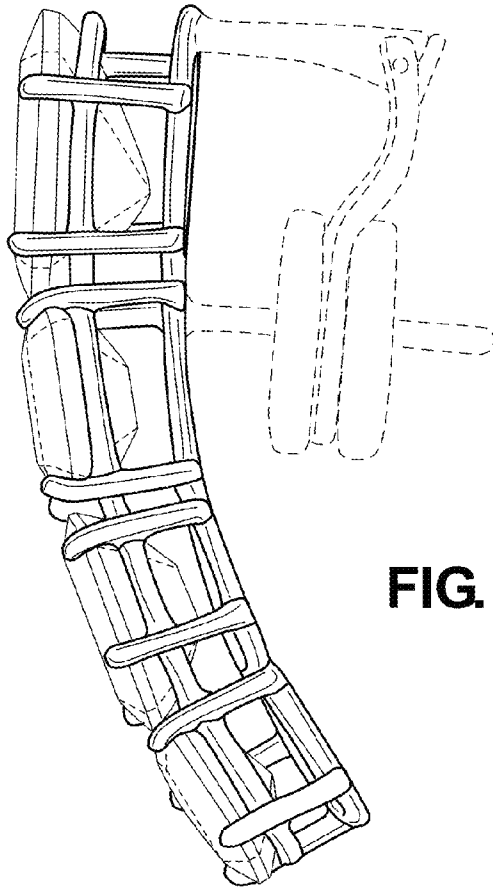


FIG. 4

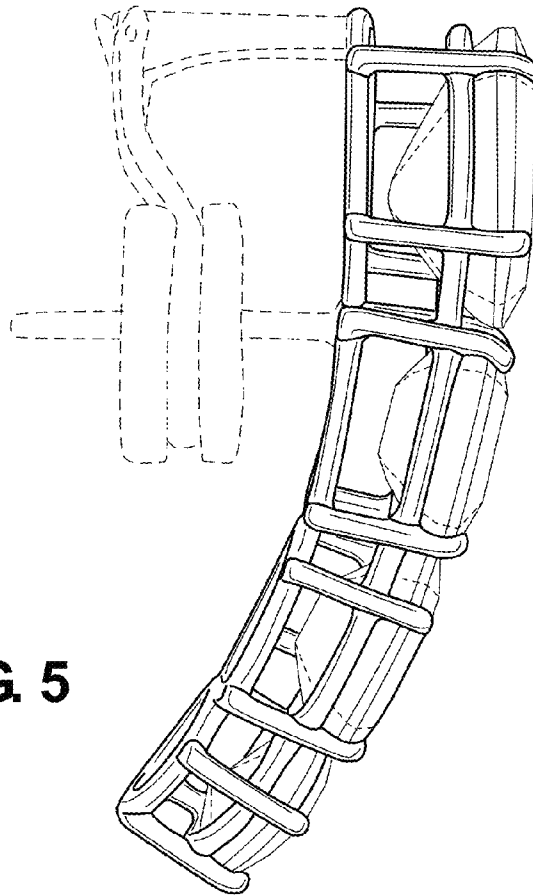
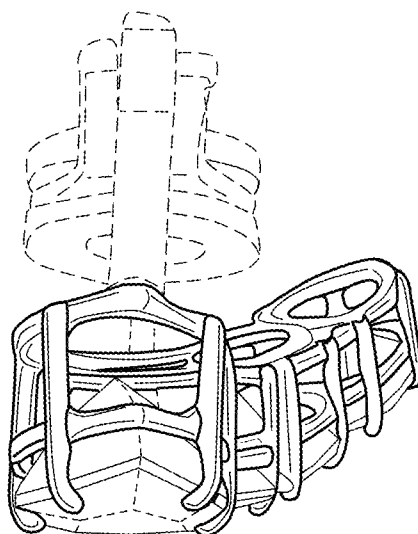
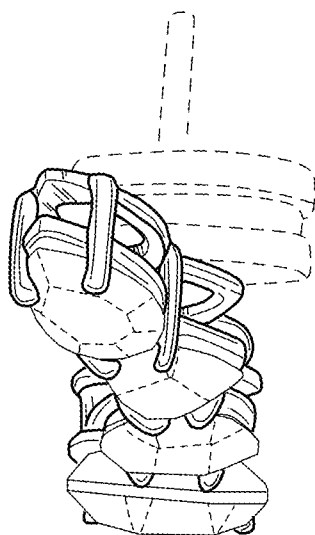


FIG. 5



**FIG. 6**



**FIG. 7**