



US00D423534S

# United States Patent [19]

[11] Patent Number: **Des. 423,534**

Raab et al.

[45] Date of Patent: **\*\* Apr. 25, 2000**

[54] **ARTICULATED ARM**

D. 410,477	6/1999	Nihei et al. ....	D15/199
5,807,449	9/1998	Hooker et al. ....	33/503 X
5,829,148	11/1998	Eaton .....	33/503
5,890,300	4/1999	Brenner et al. ....	33/503

[75] Inventors: **Simon Raab**, Maitland; **Ali Seyed Sajedi**, Winter Park; **John A. Bodjack**, Orlando, all of Fla.

[73] Assignee: **Faro Technologies, Inc.**, Lake Mary, Fla.

*Primary Examiner*—Antoine Duval Davis  
*Attorney, Agent, or Firm*—Cantor Colburn LLP

[\*\*] Term: **14 Years**

### [57] CLAIM

[21] Appl. No.: **29/100,808**

The ornamental design for an articulated arm, as shown.

[22] Filed: **Feb. 19, 1999**

### DESCRIPTION

#### Related U.S. Application Data

[63] Continuation-in-part of application No. 29/090,380, Jul. 7, 1998.

FIG. 1 is a perspective view of our new articulated arm;

FIG. 2 is a front view thereof,

FIG. 3 is a rear view thereof;

[51] **LOC (6) Cl.** ..... **15-09**

FIG. 4 is a left side view thereof;

[52] **U.S. Cl.** ..... **D15/199**

FIG. 5 is a right side view thereof;

[58] **Field of Search** ..... D10/46, 65; D15/199; 33/503; 74/409.02; 702/150

FIG. 6 is a top view thereof; and,

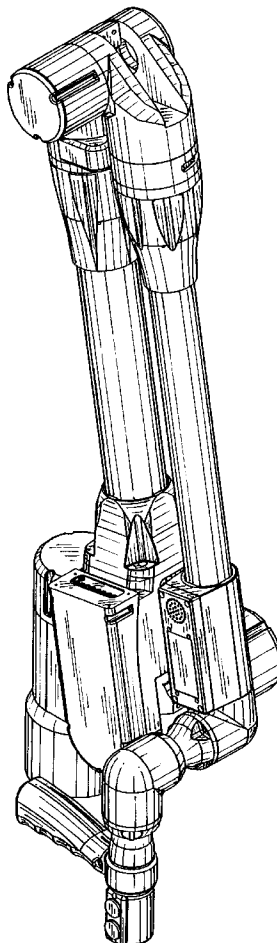
FIG. 7 is a bottom view thereof.

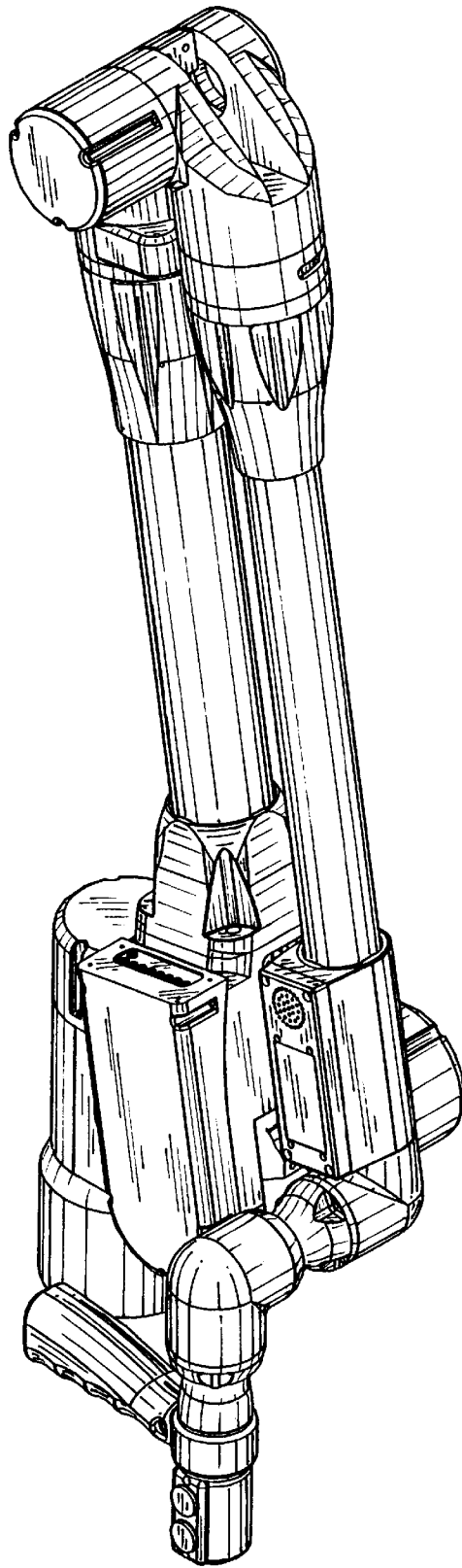
#### [56] References Cited

##### U.S. PATENT DOCUMENTS

D. 344,279 2/1994 Koyama et al. .... D15/199

**1 Claim, 6 Drawing Sheets**





*FIG. 1*

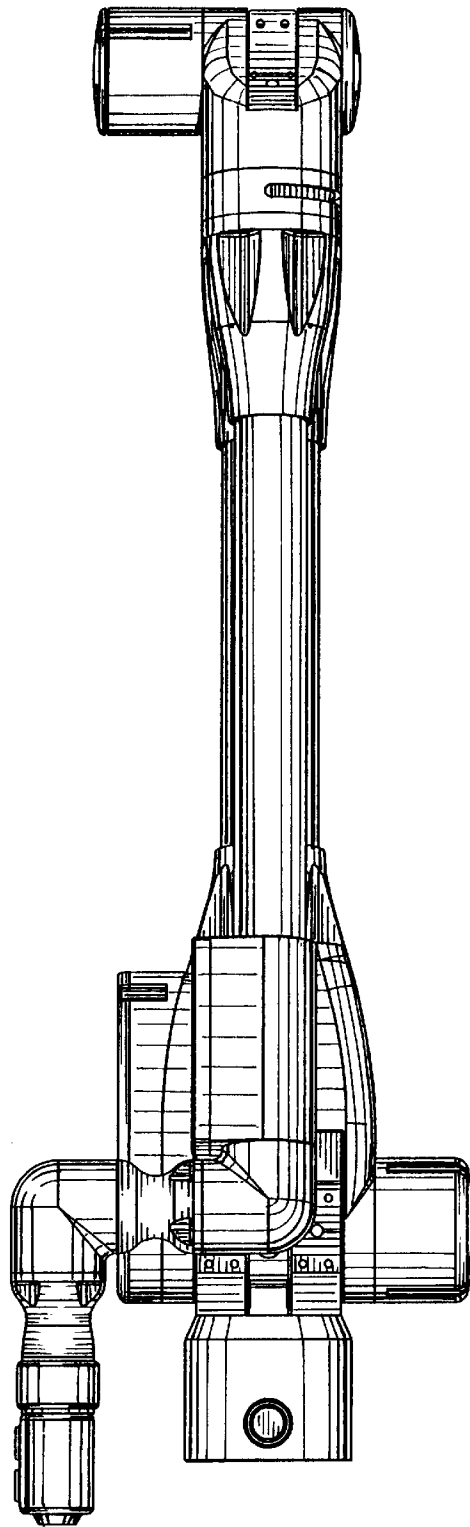


FIG. 2

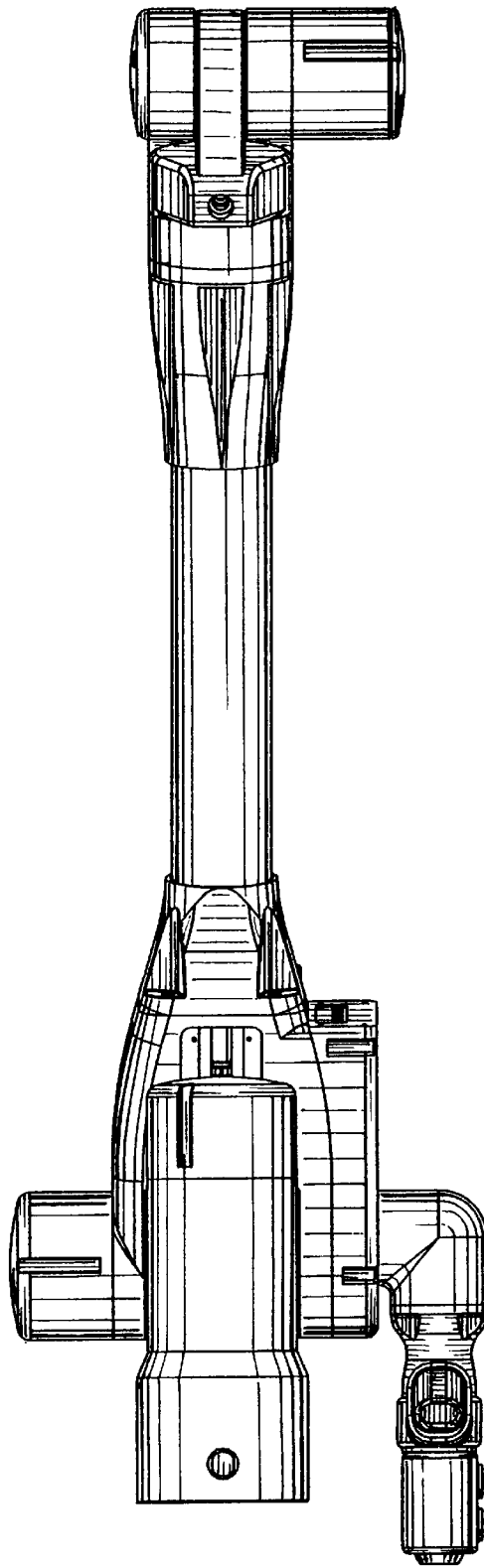


FIG. 3

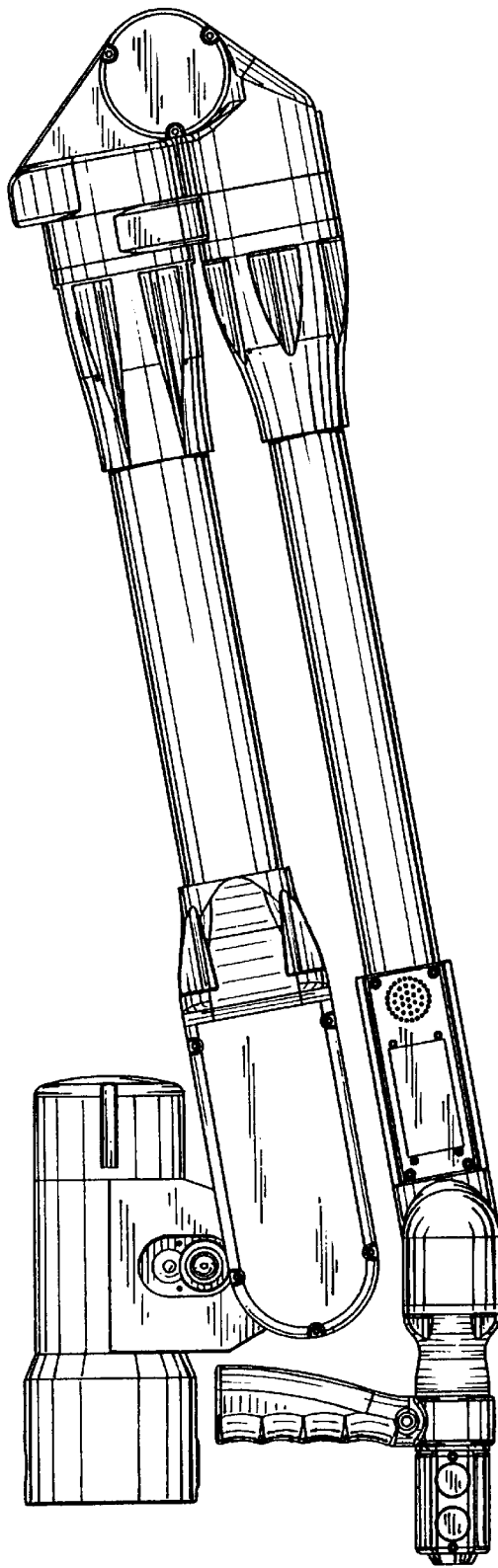


FIG. 4

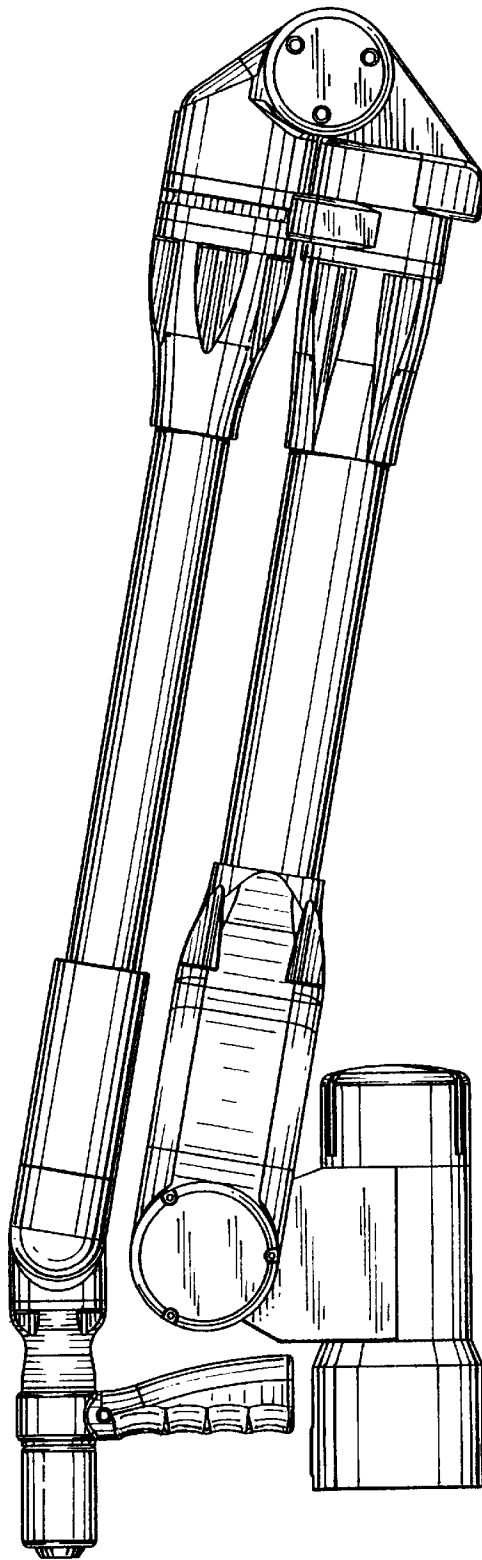
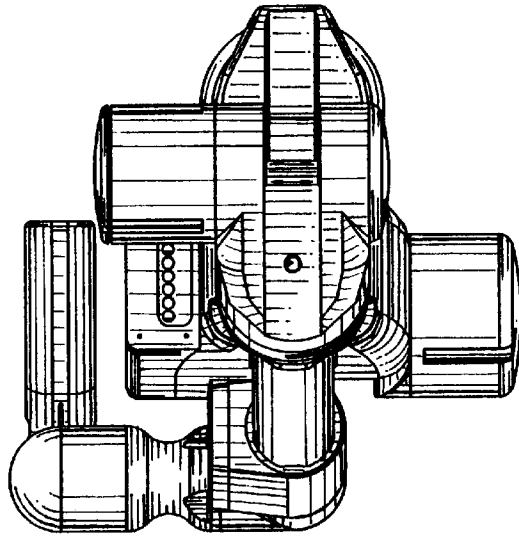
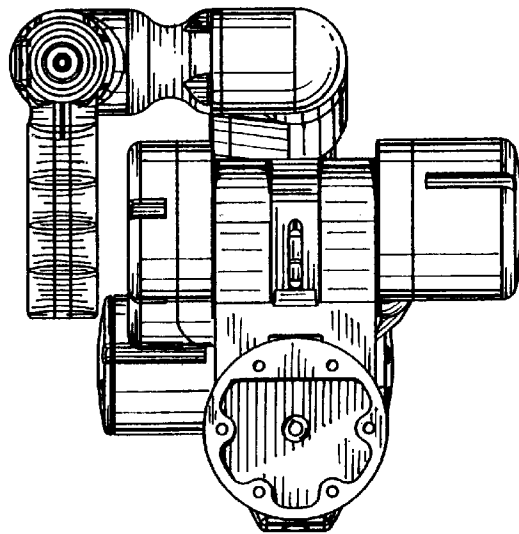


FIG. 5



*FIG. 6*



*FIG. 7*