



US00D771684S

(12) **United States Design Patent**
Kim

(10) **Patent No.:** **US D771,684 S**

(45) **Date of Patent:** **** *Nov. 15, 2016**

(54) **DISPLAY SCREEN OR PORTION THEREOF WITH GRAPHICAL USER INTERFACE**

6,097,390 A * 8/2000 Marks G06F 3/04812
715/772

(71) Applicant: **Samsung Electronics Co., Ltd.**,
Suwon-si (KR)

(Continued)

(72) Inventor: **Jae-In Kim**, Goyang-si (KR)

OTHER PUBLICATIONS

(73) Assignee: **SAMSUNG ELECTRONICS CO., LTD.**, Suwon-Si (KR)

Mohan, Murukesh, "Why did Android Jellybean get rid of the timer function?", posted at quora.com, Apr. 22, 2013, [site visited Feb. 8, 2016]. Available from Internet: <<https://www.quora.com/Why-did-Android-Jellybean-get-rid-of-the-timer-function>>.*

(*) Notice: This patent is subject to a terminal disclaimer.

(Continued)

(**) Term: **14 Years**

(21) Appl. No.: **29/513,735**

Primary Examiner — Karen E Kearney

(22) Filed: **Jan. 5, 2015**

Assistant Examiner — John M Otte

(30) **Foreign Application Priority Data**

(74) *Attorney, Agent, or Firm* — McAndrews Held & Malloy, Ltd.

Aug. 28, 2014 (KR) 30-2014-0041982

(51) **LOC (10) Cl.** **14-04**

(52) **U.S. Cl.**

USPC **D14/487**; D14/492

(58) **Field of Classification Search**

USPC D14/485-495; 222/192, 638; 701/469;
715/734, 766, 772, 839, 856; 345/173,
345/179; 709/232; 704/275, 270, E15.045;
434/112, 362; D9/671; D10/8, 33, 44;
D26/54

CPC A46B 15/00; A46B 15/0002; G06F 1/26;
G06F 3/023; G06F 3/033; G06F 3/048;
G06F 3/04812; G06F 3/04817; G06F 3/16;
G06F 11/32; G06F 15/177; H04N 1/0041;
H04N 1/00408; G08B 25/14; H04H 1/02;
H04H 1/10

See application file for complete search history.

(57)

CLAIM

The ornamental design for a display screen or portion thereof with graphical user interface, as shown and described.

DESCRIPTION

FIG. 1 is a front perspective view of a display screen or portion thereof with graphical user interface showing my new design;

FIG. 2 is a front view thereof;

FIG. 3 is a bottom view thereof; and,

FIG. 4 is a front perspective view thereof, showing additional unclaimed environment.

The dashed broken lines showing portions of the display screen or portion thereof with graphical user interface are for environmental purposes only and form no part of the claimed design.

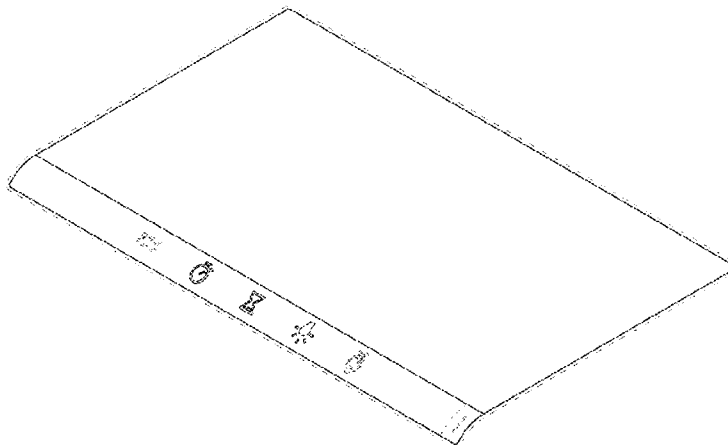
(56) **References Cited**

U.S. PATENT DOCUMENTS

5,570,325 A * 10/1996 Arpadi A46B 15/0002
222/192

5,699,244 A * 12/1997 Clark, Jr. G06F 3/033
701/469

1 Claim, 3 Drawing Sheets



(56)

References Cited

U.S. PATENT DOCUMENTS

D476,016	S *	6/2003	Platz	D14/489
D623,195	S *	9/2010	La	D14/488
D700,618	S *	3/2014	Hwang	D14/486
D701,220	S *	3/2014	Kim	D14/485
D715,836	S *	10/2014	Huang	D14/492
D731,545	S *	6/2015	Lim	D14/492
D745,054	S *	12/2015	Bray	D14/492
D747,738	S *	1/2016	Park	D14/492
2009/0172578	A1 *	7/2009	Ueda	H04N 1/00408 715/766
2010/0023865	A1 *	1/2010	Fulker	G06F 3/04817 715/734

OTHER PUBLICATIONS

“Clipart Illustration of a Collection of White Icons . . .”, posted at clipartof.com, Aug. 29, 2008, [site visited Feb. 8, 2016]. Available from Internet: <<http://www.clipartof.com/portfolio/geoimages/illustration/. . .>> Complete URL annotated in PDF.*

“Tita Stopwatch”, posted at play.google.com, Jan. 5, 2013, [site visited Feb. 8, 2016]. Available from Internet: <<https://play.google.com/store/apps/details?id=com.magizdev.tita>>.*

Haselton, Todd, “iPhone 6 Concept Video Shows off Full Wrap-Around Display”, posted at technobuffalo.com, Apr. 19, 2013, [site visited Jan. 20, 2016]. Available from Internet: <<http://www.technobuffalo.com/2013/04/19/iphone-6-concept-video>>.*

* cited by examiner

FIG. 1

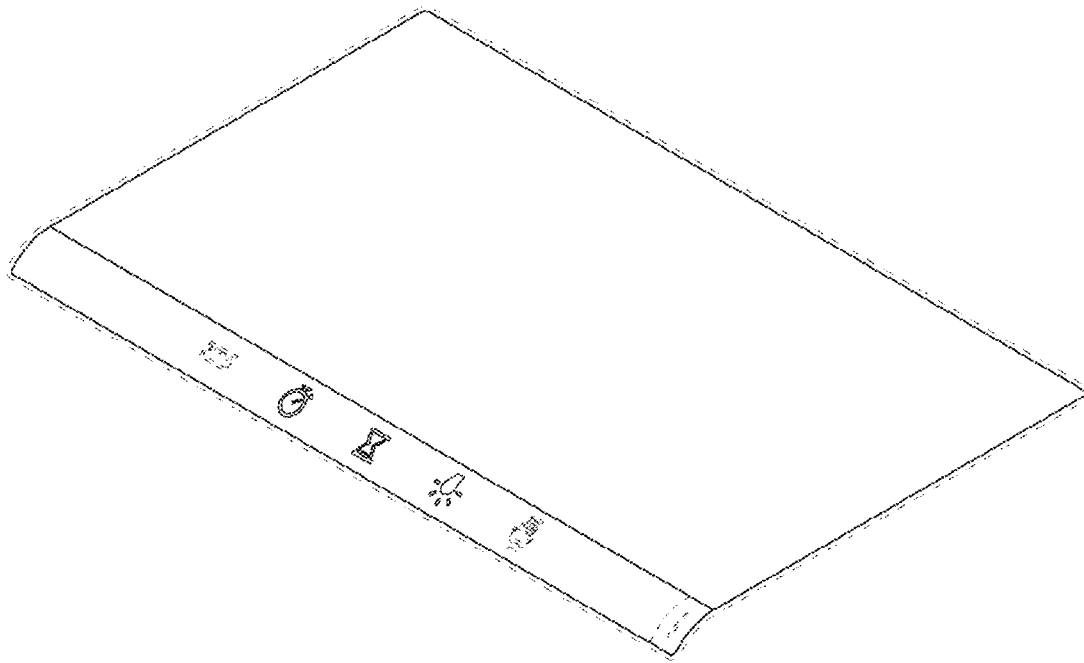


FIG. 2

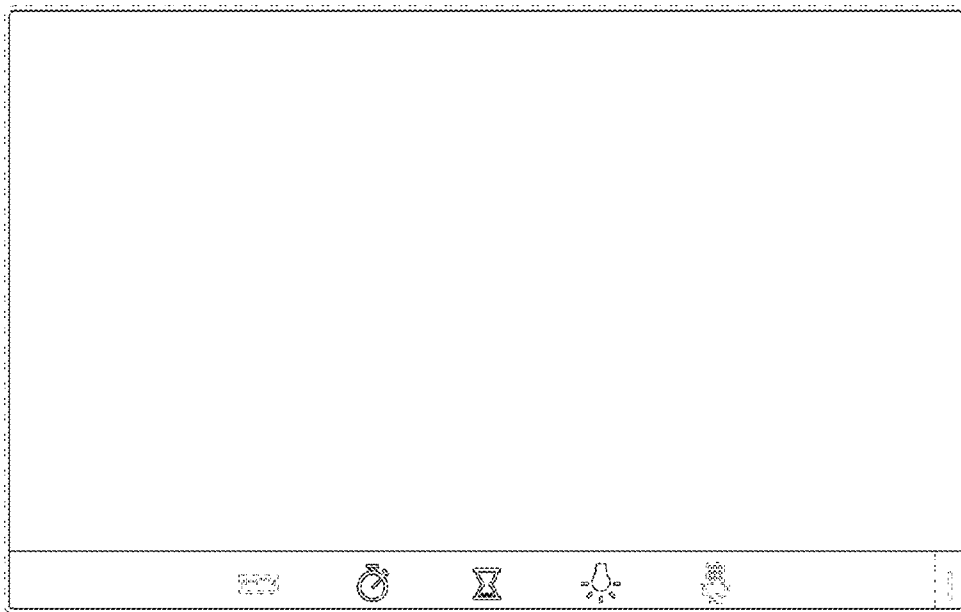


FIG. 3

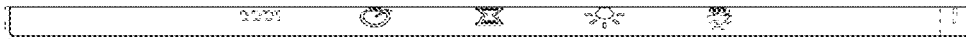


FIG.4

