



US00D602225S

(12) **United States Design Patent**
Lute et al.

(10) **Patent No.:** **US D602,225 S**

(45) **Date of Patent:** **** Oct. 13, 2009**

- (54) **AUTOMATED TELLER MACHINE**
- (75) Inventors: **Richard C. Lute**, Mogadore, OH (US);
Mark A. Douglas, North Canton, OH (US);
Roy Mleziva, Canton, OH (US);
Donald S. Nelson, Jr., Akron, OH (US);
Paul D. Magee, North Canton, OH (US);
David A. Barker, North Canton, OH (US)
- (73) Assignee: **Diebold Self-Service Systems division of Diebold, Incorporated**, North Canton, OH (US)

- D411,753 S * 6/1999 Jobin D99/43
- D411,905 S * 7/1999 Molander et al. D99/28
- D455,889 S * 4/2002 Jobin D99/43
- D481,516 S * 10/2003 Magee et al. D99/28
- D481,517 S * 10/2003 Magee et al. D99/28
- D485,417 S * 1/2004 Magee et al. D99/28
- D492,082 S * 6/2004 Magee et al. D99/28
- D500,905 S * 1/2005 Magee et al. D99/28
- D525,410 S * 7/2006 Colley D99/43
- 7,284,692 B1 * 10/2007 Douglass 235/379
- D581,934 S * 12/2008 Kruse et al. D14/454
- D582,125 S * 12/2008 Kang et al. D99/28

(**) Term: **14 Years**

(21) Appl. No.: **29/310,950**

(22) Filed: **Sep. 19, 2008**

Related U.S. Application Data

(63) Continuation-in-part of application No. 29/285,147, filed on Mar. 22, 2007, now abandoned.

(51) **LOC (9) Cl.** **20-01**

(52) **U.S. Cl.** **D99/28**

(58) **Field of Classification Search** D99/28,
D99/34-43, 99; D18/3.1-3.3, 4.6; D14/385,
D14/448, 173, 307, 901, 146, 144, 151, 129-130;
235/375-381, 100; 705/35, 43; 109/2, 24.1,
109/50, 53, 66, 83; 106/644; 52/659, 73;
902/8, 9, 15, 20-21, 30; 340/5.41; 348/150;
D20/1, 2; D25/16; 361/681, 683, 686, 687,
361/694; D6/397, 573, 634; D21/329, 369;
194/202, 379, 381; 206/8, 815
See application file for complete search history.

(56) **References Cited**

U.S. PATENT DOCUMENTS

D360,735 S * 7/1995 Hall D99/28

* cited by examiner

Primary Examiner—Philip S Hyder

Assistant Examiner—Susan E Krakower

(74) *Attorney, Agent, or Firm*—Ralph E. Jocke; Daniel D. Wasil; Walker & Jocke

(57) **CLAIM**

We claim the ornamental design for an automated teller machine, as shown and described.

DESCRIPTION

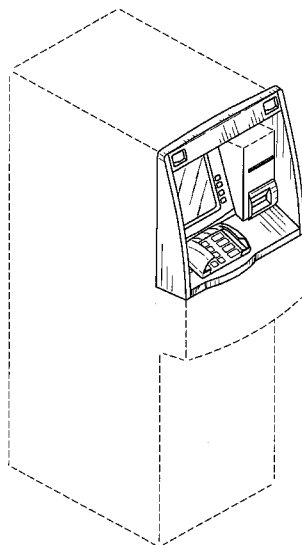
FIG. 1 is a front elevation of an automated teller machine showing our new design.

FIG. 2 is a top left perspective view thereof; and,

FIG. 3 is a top right perspective view thereof.

The broken lines in the drawings are for illustration only and form no part of the claimed design. The broken line showing of each a rectangular portion above the display a keypad, a circular element and the housing illustrate environmental elements and form no part of the claimed design.

1 Claim, 3 Drawing Sheets



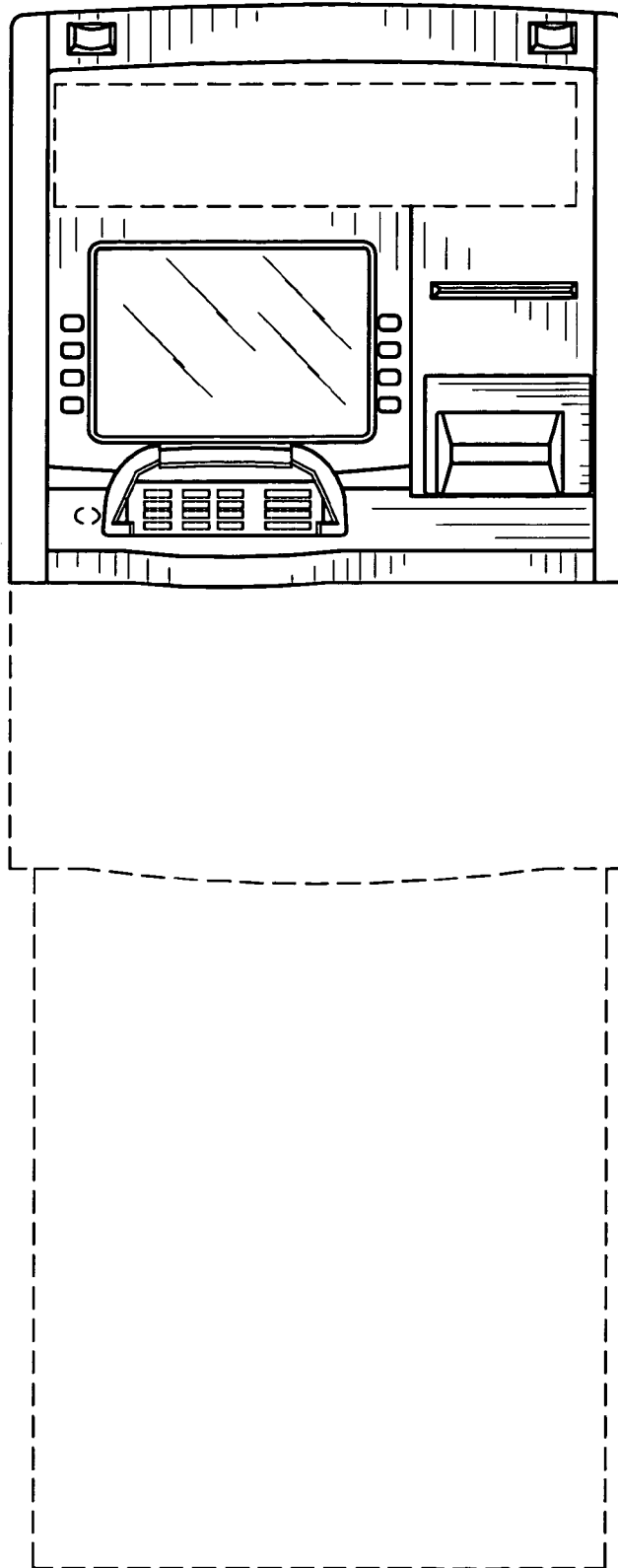


FIG. 1

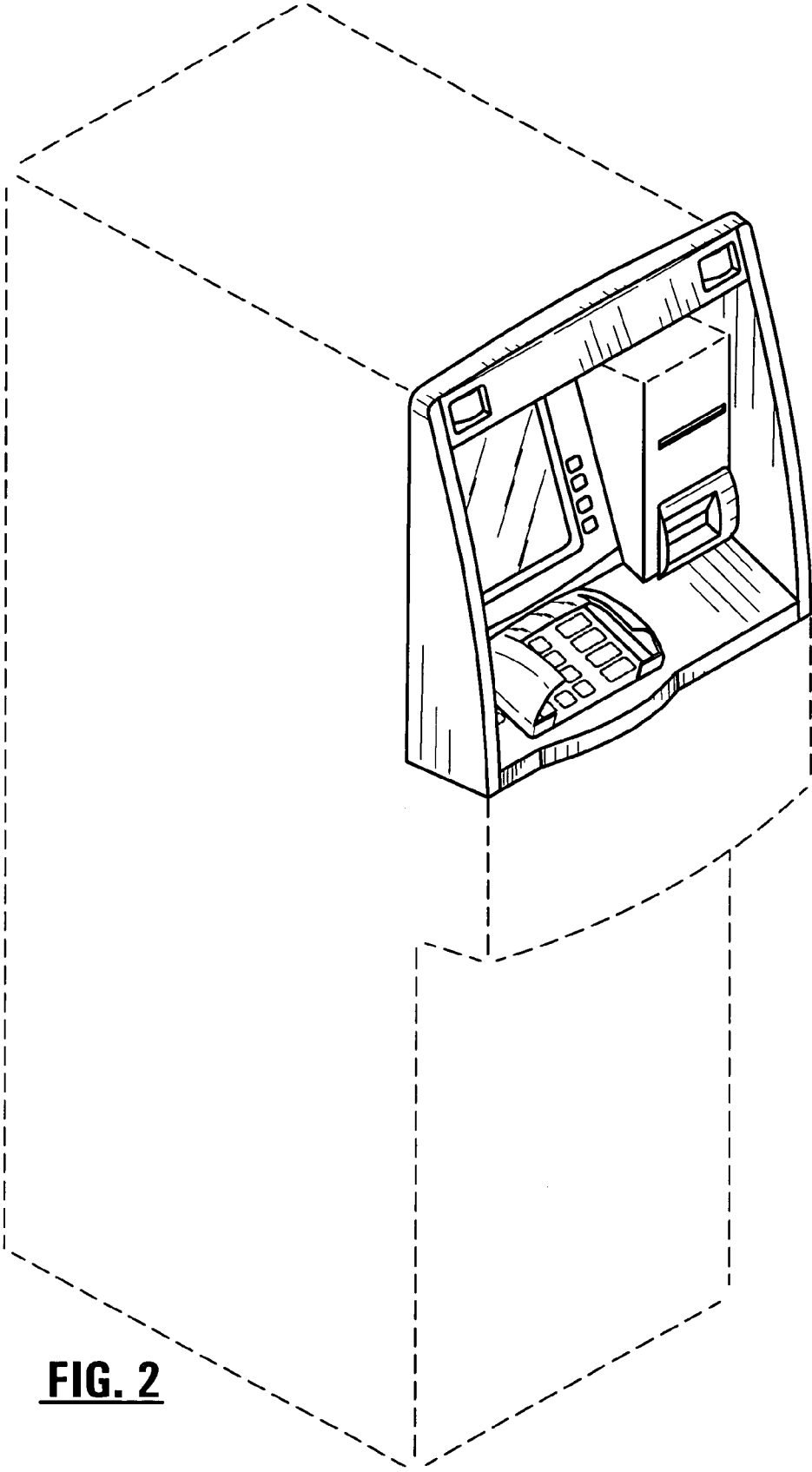


FIG. 2

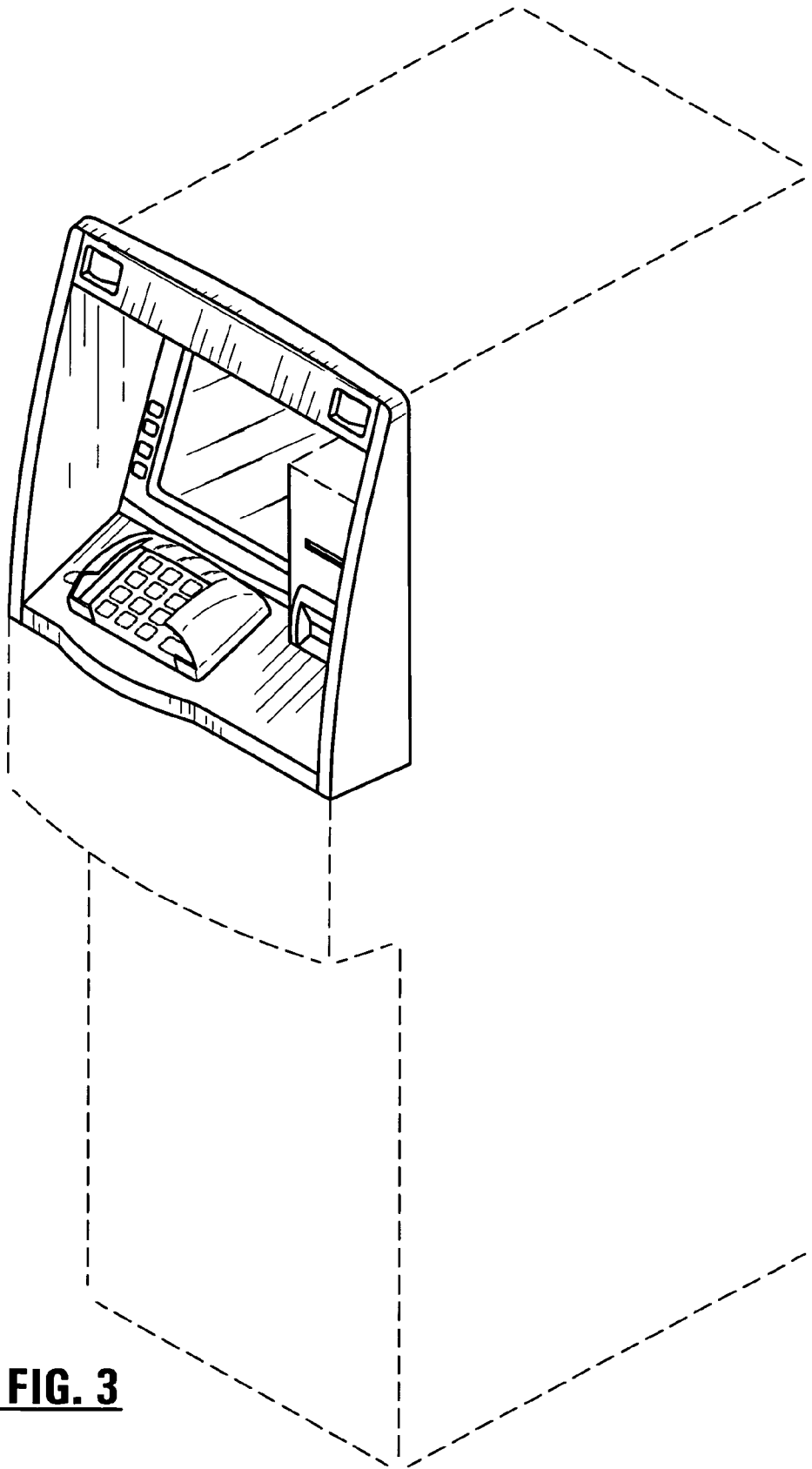


FIG. 3